



**GM Lighting**<sup>®</sup>



**2023  
PRODUCTS  
CATALOG**







**NEW PRODUCT**

# ChromaDim™



**TUNABLE WHITE AND DIMMING CONTROL  
IN ONE STANDARD WALL SWITCH**

**PAGE 105**

ChromaDim is a simple and cost-effective solution for GM Lighting's Tunable White LED Tape, Puck Lights and Downlights. The system allows you to control color tuning and dimming via ChromaDim wall switch.



**NEW PRODUCT**

**VORTEXLED**

**Wall Grazing and Asymmetric  
LED Illumination**



**LINEAR LED ILLUMINATION FOR  
WALL WASHING, WALL GRAZING AND  
DECORATIVE ACCENTS**

**PAGE 71**

GM Lighting's new VortexLED series is designed for spaces where vertical illumination is needed. With a uniform light distribution, VortexLED Optic tape is a perfect solution for wall washing, wall grazing and accent lighting.

**NEW PRODUCT**

# LUXcontrol™

## Smart WiFi Lighting Control System



**DOWNLOAD OUR  
LUXcontrol™ APP  
AND GAIN FULL  
CONTROL OF  
YOUR LIGHTING**

LUXcontrol™ by GM Lighting is a smart lighting system that enables you to wirelessly control LED tape lights and other luminaires. LUXcontrol product line features a variety of low and high voltage controllers, dimmers, plugs and switches to control your LED lights and smart devices from anywhere in the world with the LUXcontrol™ App.

# More New Products

## A Guide To New Fixtures and Accessories

**NEW PRODUCT**

### **LTR-S HIGH OUTPUT LED TAPE**

GM Lighting's new collection of high lumen LTR-S Series LED tape is designed for integration into ceilings and other spaces where high lumen illumination is needed. Select from a variety of color temperatures and lumen outputs to brighten your space. **See page 29.**

### **LAMINA RGBW AND SINGLE COLOR**

Lamina is a 12inx12in flexible light sheet that can be cut in the field into geometric or irregular shapes, creating limitless illumination for signage, light panels, columns, retail display, backlighting and themed lighting applications. Lamina is connectable via integral push-in connectors. **See page 67.**

### **BLACK AND WHITE CHANNELS**

Stylish black and white channels are the newest addition to our XD-MD and XD-MD-F series. Available in 4ft and 8ft. **See page 58.**

### **WET LOCATION CONNECTORS**

Whether you are connecting tape to tape or tape to power, these easy to use wet location connectors are a perfect solution for any outdoor configuration. Field configurable.

**See page 51.**

### **CHIP ON BOARD COB LED TAPE**

Our popular Chip on Board LED tape is now available for wet locations. Enjoy a seamless linear light without pixelation. **See page 32.**

### **WET LOCATION DRIVERS**

A series of 24V wet location drivers in multiple wattages. Perfect for outdoor applications.

**See page 199.**

### **VISION120 120V RGBW LED TAPE**

Vision120™ RGBW is a standard output, wet location 120V flexible LED linear tape that can be factory cut and configured to your specifications. With a wealth of color options, Vision120 RGBW is the next generation of color changing technology for indoor & outdoor applications. **See page 92.**

### **12V/24V/120V DMX CONTROLLER**

Our DMX wall-mounted controller allows you to control 12V/24V and 120V RGBW LED tape providing full color and brightness control. Designed for use with DMX-LT-995 and V120-RGBW-DMX decoder. **See pages 101, 102.**

### **24VDC SLIM PUCK**

A 3" diameter circular surface or recessed mount puck available in white, black, bronze and brushed nickel. **See page 137.**

### **BRICK LIGHT**

GM Lighting's new collection of modern brick lights is designed for integration into walls. With even spread of light, Brick Light make outdoor and indoor areas safer, more secure and stylish.

**See page 182.**

### **MINI TASK DOWNLIGHTS**

GM Lighting's recessed Mini Task selectable 5CCT downlights available in 1" and 2", round or square in white or black color. Fully dimmable, no power supply required.

**See page 155.**

### **R6 Downlights**

A series of 120V 6in downlights suitable for any budget. **See page 146.**



# Table of Contents

## LTR-P Pro Series LED Tape



12VDC 1.5W .....	20
24VDC 1.5W.....	20
12VDC 3.0W.....	21
24VDC 3.0W.....	21
24VDC 4.5W .....	21
24VDC 5.8W .....	21
24VDC 1.5W / 3.0W Wet Location (Outdoor) .....	22
Specifying Long Runs of WP Tape.....	24-25
Dry/Wet Location Sure-Tite Connectors.....	50
Aluminum Mounting Channels and Lens .....	55

## LTR-S Spec Series LED Tape



24VDC 2.5W.....	28
24VDC 5.8W.....	28
24VDC 8W High Output.....	29
24VDC 1.5W / 3.0W COB .....	30
24VDC 1.5W / 3.0W COB Wet Location .....	32
24VDC CCT Tunable White Tape and Connectors .....	35
24VDC 3.0W DTW (Dim To Warm) .....	36
12VDC 1.5W Side View .....	37
12VDC 2.2W Twist-Task.....	37
Dry/Wet Location Sure-Tite Connectors.....	50
Aluminum Mounting Channels and Lens .....	55

## LTR-S Spec Series RGBW LED Tape



24VDC 3.0W RGBW .....	40
24VDC 6.0W RGBW .....	40
24VDC 3.0W WP Wet Location (Outdoor) .....	40
RGBW EZ Connectors.....	50
Aluminum Mounting Channels and Lens .....	55

## LTR-E Econo Series LED Tape



12VDC 1.5W .....	42
12VDC 1.5W Colors.....	42
24VDC 1.5W.....	42
ST Series Sure-Tite Connectors .....	50
Aluminum Mounting Channels and Lens .....	55

# Table of Contents

## Channels, Connectors and Accessories



ST Series Sure-Tite Connectors .....	50
EST Series Sure-Tite Connectors .....	50
EZ Connectors .....	50
Wet Location Connectors .....	51
GMSB Splice Box .....	53
WP Splice Connector .....	53
GM Wire .....	53
Mounting Channels, Tape Overlay Lens and Connectors .....	55
LED Tape Overlay Lens .....	59
Mud-In and Walk-Over Channels and Accessories .....	60

## Optics and Backlighting



Lamina Single Color .....	67
Lamina RGBW .....	67
Lamina Connectors .....	68
VorteXLED Optic Tape - Wall Grazing .....	71
VorteXLED Optic Tape - Wall Washing .....	71
VorteXLED Channels and Connectors .....	72

## NeoVision 24 Neon Tape



NeoVision24 SideFlex Tape .....	76
NeoVision24 TopFlex Tape .....	78
NeoVision24 RGBW Tape .....	80
NeoVision SideFlex / TopFlex Connectors and Accessories .....	82

## Vision 120™ 120V LED Tape



120V Standard, High and Super High Output Tape .....	89
Vision120 Connectors, Channels and Accessories .....	91
120V RGBW Tape .....	92
Vision120 RGBW Connectors, Channels and Accessories .....	93
Specifying Vision120 Wet Location Tape .....	94

# Table of Contents

## LED Controls LUXcontrol, DMX, RF



LUXcontrol 12/24V WiFi System .....	98
LUXcontrol 120V WiFi System .....	99
LUXcontrol WiFi Plug, Outlet, Dimmer .....	100
12V/24V DMX Decoder and Wall Controller .....	101
120V DMX Decoder and Wall Controller .....	102
RGBW RF Remote Controller .....	103

## ChromaDim Tunable White System



ChromaDim Tunable White System.....	107
ChromaDim Tunable White LED Tape .....	109
ChromaDim Tunable White Puck Light.....	110
ChromaDim Tunable White Downlight .....	111

## 120V Undercabinet Lighting



TunableTask™ Selectable.....	114
LumenTask™ LED .....	116
Undercabinet Fixture Comparative Analysis.....	117

## 12VDC / 24VDC / 120V Lightbars

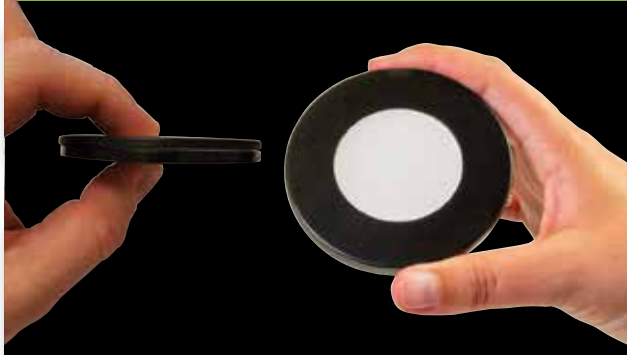


SlimEdge™ 24VDC Modular .....	122
The SlimEdge Kitchen - Layout Guide .....	125
LARC6 24VDC Modular Adjustable .....	127
CovaLinear Switchable 120V .....	128
LTAB-N Aluminum High Output Wet Location 12VDC .....	130
LTB Rigid High Output 12VDC.....	131
Lightbar Comparative Analysis .....	133



# Table of Contents

## 12V/24V Pucks



LED 12V Slim Puck.....	136
LED 24V Slim Puck.....	137
LED 3W 12V Puck.....	138
LED 12V Slim Puck Mini.....	139
PSD Series 12V/24V Power Supplies.....	200
ChromaDim Tunable White Puck Light.....	110

## 120V Surface Mount Downlights



S4.....	144
S6.....	144
S9.....	145
R6.....	146
Proxima.....	147
GeoTask Switchable.....	148
GeoTask Light Squares.....	150

## Recessed Mount MiniTask Downlights



120V Round.....	156
120V Square.....	156
120V Round Adjustable.....	157
120V Trimless Round.....	158
120V Trimless Square.....	158
120V Trimless Round Adjustable.....	158

## Recessed Mount Downlights



RSD Recessed Slim Downlight Switchable 120V.....	164
MicroTask Mini IC Rated Downlight 120V.....	166
MicroTask 4 Mini IC Rated Downlight 120V.....	168
3W Mini-Dimmable Adjustable Downlight 12VDC.....	170
6W Mini-Dimmable Adjustable Downlight 12VDC.....	171
IC Rated Mini-Dimmable Adjustable Downlight 120V.....	172
Recessed Downlight Diagrams.....	174
Downlight Comparative Analysis.....	175

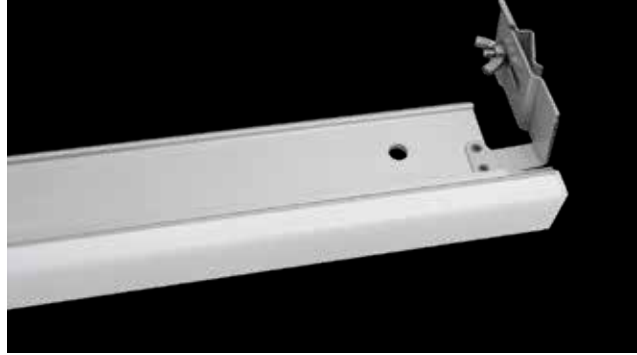
# Table of Contents

## Step / Pathway / Brick Light



Wet Location Step Light 120V .....	178
120V LED Brick Light .....	182
Wet Location Pathway Light 12VDC .....	186

## Commercial / Specialty

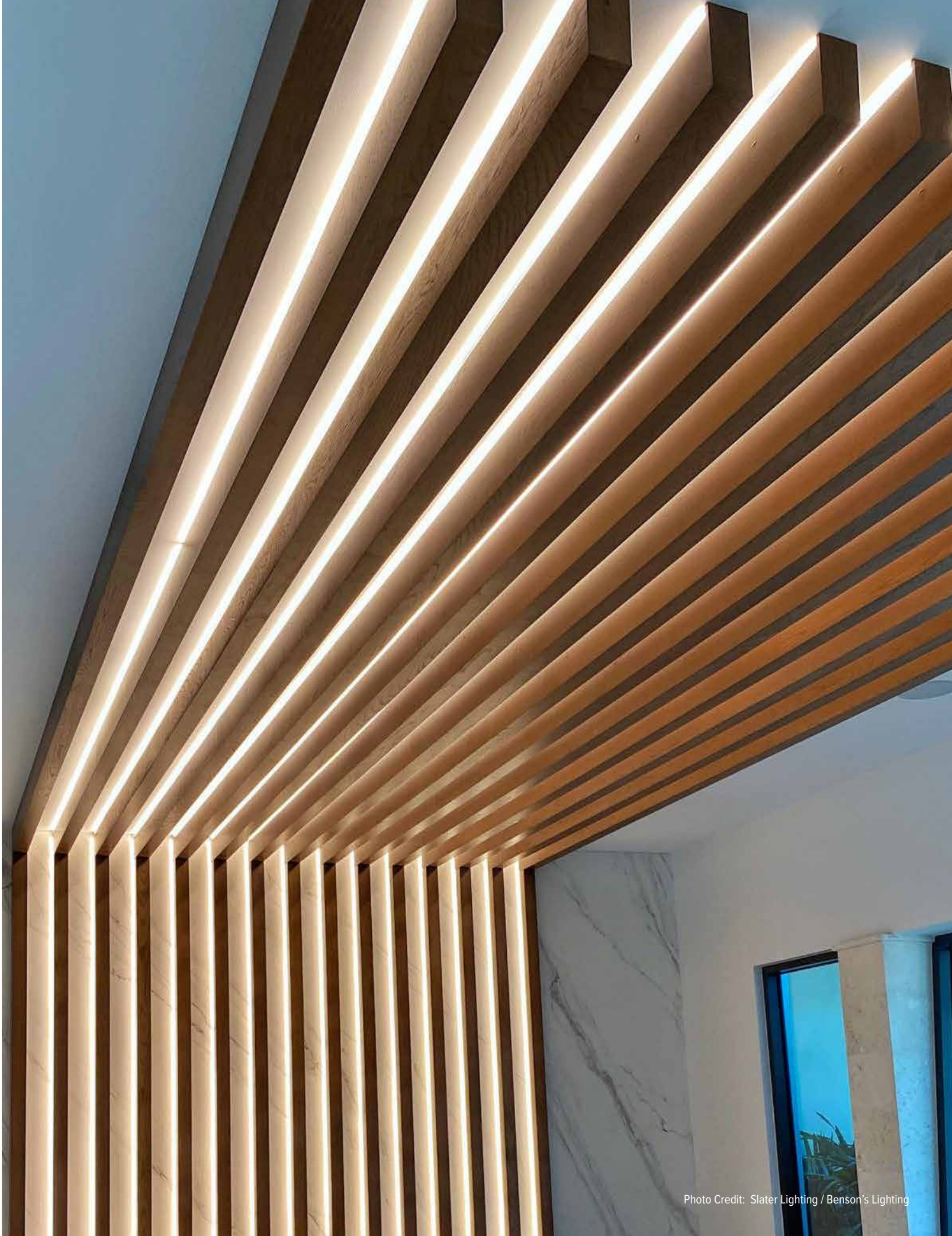


GridTask Ceiling Linear 120-277V .....	190
GridTask Sample Layouts .....	191

## Power Supplies and Accessories



SwitchLD™ 12VDC / 24VDC Power Supply / Wall Dimmer .....	194
LineDrive Dimmable Magnetic.....	195
LineDrive Non-Dimmable Electronic .....	196
Cord and Plug Power Supplies.....	196
LineDrive 0-10 Dimming Drivers .....	197
LineDrive Dimmable Electronic.....	198
LineDrive Dimmable Wet Location Electronic .....	199
PSD/LTHE Dimmable Power Supplies .....	200
12VAC Electronic Remote Transformers.....	201
Quick Guide to Picking LineDRIVE Power Supplies .....	201
Voltage Drop Chart for 12VDC.....	202
Voltage Drop Chart for 24VDC.....	203
INDEX .....	206





# The GM Story - Innovation and Service

Almost twenty years ago, an iconic leader in the lighting industry whose vision created a renaissance in low voltage recessed lighting decided that he had enough of retirement. Sy Gerber leveraged his experience in the lighting industry and the relationships with reps and distributors that had been forged over the years, and co-founded GM Lighting with long-time friend Dave Meyer.



*Sy Gerber, Founder and CEO*

Since we opened our doors, we have been on the cusp of the technology wave. As an early adopter of LED, we brought this new technology into the home. Through our LED tape light and pucks, we leveraged this new energy-saving technology by making it useful to end users both residentially and commercially.

LED became a resource for energy-conscious designers, architects, facility managers and home owners, and we were right there making innovative and useful task oriented and decorative LED fixtures.

We were also one of the first manufacturers to introduce LED diodes on a linear, flexible tape that enabled long runs of dimmable light. LED 'tape' was an innovation that thrilled architects and lighting designers. Finally, an easy to install and flexible light source that

was perfect for cove lighting and illuminating long stretches of architectural detail.

Our new take on LED - LEDTask™ LED Tape distills over a decade of experience that was the result of conversations with distributors, reps and electrical contractors - enabling a new approach to LED tape that matches the product to the application.

As lighting technology continues to advance, we have embraced it. As manufacturing continues to globalize, affording us the most cost-effective way to bring you products, we have enabled it. As our reputation for superior customer service is proven day after day, we have embodied it.

We look forward to providing our network of reps, distributors, showrooms and customers continued excellence in product offerings that take advantage of the latest in technology and innovation in the lighting industry. When you combine cutting edge technology and great customer service, you get GM Lighting.



*GM Lighting headquarters in Tinley Park, Illinois.*

# Legendary Customer Service

Ask just about anyone in the lighting industry who has come into contact with GM Lighting, ‘what is the secret to their success’, and nine out of ten times the answer will be “their customer service.” It’s no wonder, because we learn from experience. GM Lighting is a ‘people’ organization that credits their success to their employees, reps, distributors and customers.

We are always there to provide answers to whatever questions arise. Whether it’s a stock check, handling special delivery requests, fielding technical questions or providing product support, we are there for you.



*From the right: Jason Marcotte, Barb Wiers, Rob Gerber, Barbara Weishaar, Kim Fuse, Dawn Schmidt, King Liu, Susan Zies, Ashley Gloster, Joanna Dulian, Carly Marquardt, Willy Solis*

## QR Codes and Videos

Social media is no longer a fad. It’s a proven way for companies to interface with their customers. At GM Lighting, we embraced the potential that social media provides as part of our customer service strategy. Our videos have attracted a broad spectrum of interest, and provide product overviews and step-by-step installation information.

Where you see the QR code in this catalog, aim your Smart Phone at it and

**unlock the extra content that awaits you!**



Check out our videos on our YouTube channel. Links to our social media platforms can be found on our website at [www.gmlighting.net](http://www.gmlighting.net)





CD-GMLEDRD-2023  
Tape Display Box

To learn about this  
and other GM Lighting  
displays, go to  
[www.gmlighting.net](http://www.gmlighting.net)



CB-DISPLAY  
Aluminum Channel  
Display Box





# The Influence of Color Temperature

Color temperature describes a light source's warmth or coolness. LED typically operates in a color range of 2000K to 6000K. The K stands for Kelvin. Typically, warmer colors in the 2400K to 3500K range tend toward the warm part of the spectrum, and are well suited for residential spaces or spaces where a warm, homey feeling is preferred. Higher Kelvin temperatures up to 5000 tend towards the cool in the spectrum, and are well suited for offices and commercial spaces. Color temps that fall below 2400K can be used for

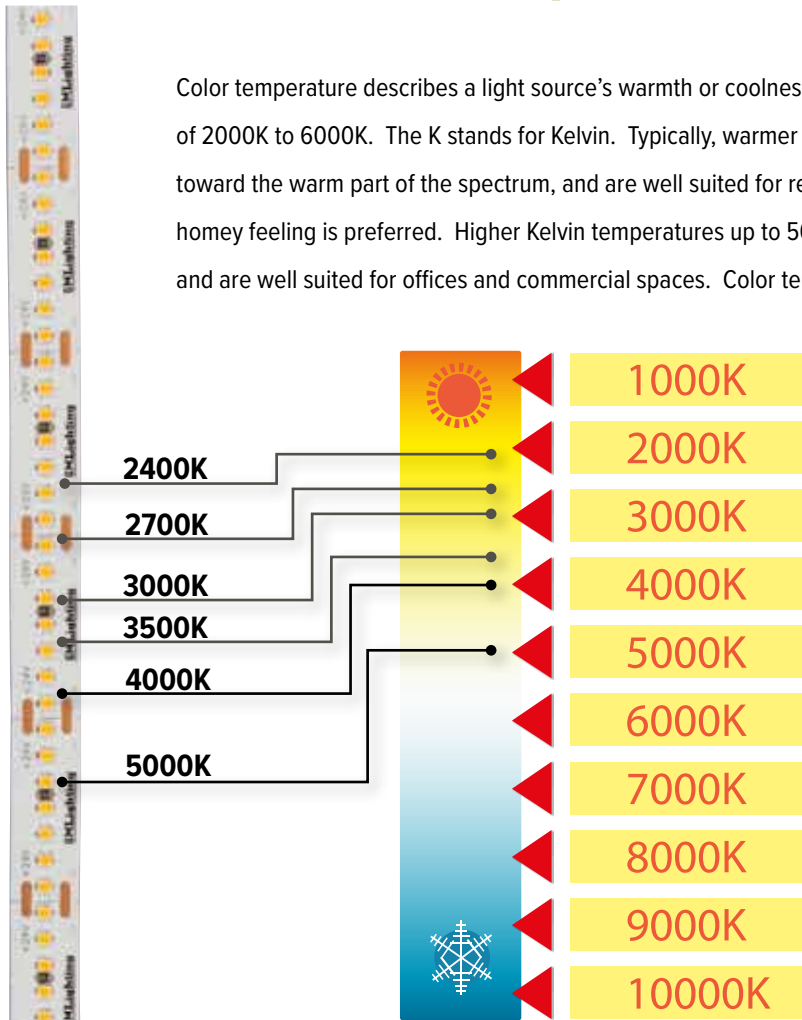
mood lighting, or lighting that is evocative of warmth or for themed areas. The same can be said for color temps that are in the upper extremities.

## Selectable White

'Selectable White' is a feature that enables the user to 'select' the color between various color temps from a single fixture. We offer Selectable White as a feature in our undercabinet, recessed and surface mount fixtures.

Covalinear Selectable White Lightbar  
Choose between 2700K, 3000K, 3500K

Typical GM Lighting LED Tape, Undercabinet, Lightbar and other fixtures operate within this color temperature range.



## Selectable White Products

Product	Page No.
TunableTask	114
Covalinear	128
Proxima	147
GeoTask	148, 150
MiniTask	155
RSD	164



**NEW!**  
MiniTask Selectable White  
Downlights. Choose between  
2700K, 3000K, 3500K, 4000K, 5000K  
Page 155

## LEDTask LED Tape LTR-P, LTR-S, LTR-E

We've made the best LED Tape line in the industry even better. In order to faithfully represent the diversity of our LED tape, we've set up three distinct categories. Each category presents features that speak to the applications: Professional, Specification and Economy. Each category offers distinct advantages.

Pro Series offers both indoor and outdoor tapes in a variety of color temps. Specification grade not only features a tight diode arrangement, but also introduces new COB and Tunable White choices, while preserving our popular RGBW, RGBW Wet Location, Twist-Task, Dim to Warm and Side View tapes. Rounding out our offering, the Econo Series is a solid choice where the essential qualities of linear LED is required, in either 12V or 24V with a choice of various color temps and colors.

We are excited to introduce these new tape options with our distributors and installers in mind as we enable more variety in three comprehensive linear LED tape categories.

**See the Video!**

Our entire line of LEDTask Series tape is broken down into its finer components with a complete list of specs and features.







# LEDTask™ Flexible LED Tape

## LTR-P PRO SERIES

12V DRY LOCATION .....	20
24V DRY LOCATION.....	20
24V WET LOCATION .....	22

## LTR-S SPEC SERIES

24V DRY LOCATION.....	28
24V HIGH OUTPUT .....	29
24V COB DRY LOCATION .....	30
24V COB WET LOCATION .....	32
24V TUNABLE WHITE .....	35
24V DTW DIM TO WARM .....	36
12V SIDE-VIEW .....	37
12V TWIST-TASK.....	37
RGBW DRY LOCATION .....	40
RGBW WET LOCATION.....	40

## LTR-E ECONO SERIES

12V DRY LOCATION .....	42
24V DRY LOCATION.....	42

## CONNECTORS AND WIRES

DRY CONNECTORS.....	50
WET CONNECTORS .....	51
SPLICE BOXES .....	53
WIRES .....	53





# LTR-P

12  
VOLT

24  
VOLT

DRY  
LOCATION

90+  
CRI

CLASS  
2

CUTTABLE

5Yr.  
WARRANTY

Intertek

## Pro Series Indoor Location

GM's Pro Series Flexible LED Tape combines style and technology with reliability. Choose between 12V and 24V, 1.5W to 5.8W per foot, and color temps from 2400K to 5000K. Our Pro Series is exactly what we claim - a professional LED linear solution.

### KEY FEATURES:

- 12VDC / 24VDC
- 1.5W/ft. to 5.8W/ft.
- 90+ CRI
- Dry location
- Premium diodes
- 120 LED's/meter (36/ft.)
- Up to 493 lumens/foot
- IP20
- Dimmable
- Cuttable every 2"
- Maximum run: 60'
- 10mm PCB width
- 3M adhesive back
- Includes Sure-Tite connectors (see Note below)
- Custom lengths available consult factory
- 5 year warranty when used with GM power supply



Indoor Location Product No. Example

**LTR-P - XXV - X.XW - XXK - XX**

SERIES PREFIX  
(P = PRO)

VOLTAGE  
12V  
24V

WATTS / FOOT  
1.5  
3.0  
4.5  
5.8

COLOR TEMP  
24K = 2400K  
27K = 2700K  
30K = 3000K  
35K = 3500K  
40K = 4000K  
50K = 5000K

REEL  
LENGTH  
16 = 16'-4"  
100 = 98'-6"  
250 = 250'

**TITLE 24** COMPLIES WITH TITLE 24 WHEN USED WITH SPECIFIC DRIVERS. CONSULT FACTORY.

**FOR PROPER THERMAL MANAGEMENT,  
MOUNT THIS PRODUCT IN CHANNEL  
(4.5W RECOMMENDED, 5.8W REQUIRED)**

## ORDERING INFORMATION

Product No.	Output	Length	Lumens per ft.	CRI	Color Temp.	Max. Run
LTR-P-12V-1.5W-24K-16	12VDC	16'-4" / 5M	119	90+	2400K	32'-8"
LTR-P-12V-1.5W-27K-16	12VDC	16'-4" / 5M	125	90+	2700K	32'-8"
LTR-P-12V-1.5W-30K-16	12VDC	16'-4" / 5M	126	90+	3000K	32'-8"
LTR-P-12V-1.5W-35K-16	12VDC	16'-4" / 5M	140	90+	3500K	32'-8"
LTR-P-12V-1.5W-40K-16	12VDC	16'-4" / 5M	144	90+	4000K	32'-8"
LTR-P-12V-1.5W-50K-16	12VDC	16'-4" / 5M	146	90+	5000K	32'-8"
LTR-P-12V-1.5W-24K-100	12VDC	98'-6" / 30M	119	90+	2400K	32'-8"
LTR-P-12V-1.5W-27K-100	12VDC	98'-6" / 30M	125	90+	2700K	32'-8"
LTR-P-12V-1.5W-30K-100	12VDC	98'-6" / 30M	126	90+	3000K	32'-8"
LTR-P-12V-1.5W-35K-100	12VDC	98'-6" / 30M	140	90+	3500K	32'-8"
LTR-P-12V-1.5W-40K-100	12VDC	98'-6" / 30M	144	90+	4000K	32'-8"
LTR-P-12V-1.5W-50K-100	12VDC	98'-6" / 30M	146	90+	5000K	32'-8"
LTR-P-12V-1.5W-27K-250	12VDC	250' / 76M	125	90+	2700K	32'-8"
LTR-P-12V-1.5W-30K-250	12VDC	250' / 76M	126	90+	3000K	32'-8"
LTR-P-12V-1.5W-35K-250	12VDC	250' / 76M	140	90+	3500K	32'-8"
LTR-P-24V-1.5W-24K-16	24VDC	16'-4" / 5M	119	90+	2400K	60'
LTR-P-24V-1.5W-27K-16	24VDC	16'-4" / 5M	125	90+	2700K	60'
LTR-P-24V-1.5W-30K-16	24VDC	16'-4" / 5M	126	90+	3000K	60'
LTR-P-24V-1.5W-35K-16	24VDC	16'-4" / 5M	140	90+	3500K	60'
LTR-P-24V-1.5W-40K-16	24VDC	16'-4" / 5M	144	90+	4000K	60'
LTR-P-24V-1.5W-50K-16	24VDC	16'-4" / 5M	146	90+	5000K	60'
LTR-P-24V-1.5W-24K-100	24VDC	98'-6" / 30M	119	90+	2400K	60'
LTR-P-24V-1.5W-27K-100	24VDC	98'-6" / 30M	125	90+	2700K	60'
LTR-P-24V-1.5W-30K-100	24VDC	98'-6" / 30M	126	90+	3000K	60'
LTR-P-24V-1.5W-35K-100	24VDC	98'-6" / 30M	140	90+	3500K	60'
LTR-P-24V-1.5W-40K-100	24VDC	98'-6" / 30M	144	90+	4000K	60'
LTR-P-24V-1.5W-50K-100	24VDC	98'-6" / 30M	146	90+	5000K	60'

## ORDERING INFORMATION

Product No.	Output	Length	Lumens per ft.	CRI	Color Temp.	Max. Run
LTR-P-24V-1.5W-27K-250	24VDC	250' / 76M	125	90+	2700K	60'
LTR-P-24V-1.5W-30K-250	24VDC	250' / 76M	126	90+	3000K	60'
LTR-P-24V-1.5W-35K-250	24VDC	250' / 76M	140	90+	3500K	60'
LTR-P-12V-3.0W-24K-16	12VDC	16'-4" / 5M	211	90+	2400K	16'-4"
LTR-P-12V-3.0W-27K-16	12VDC	16'-4" / 5M	225	90+	2700K	16'-4"
LTR-P-12V-3.0W-30K-16	12VDC	16'-4" / 5M	242	90+	3000K	16'-4"
LTR-P-12V-3.0W-35K-16	12VDC	16'-4" / 5M	246	90+	3500K	16'-4"
LTR-P-12V-3.0W-40K-16	12VDC	16'-4" / 5M	251	90+	4000K	16'-4"
LTR-P-12V-3.0W-50K-16	12VDC	16'-4" / 5M	254	90+	5000K	16'-4"
LTR-P-12V-3.0W-24K-100	12VDC	16'-4" / 5M	211	90+	2400K	16'-4"
LTR-P-12V-3.0W-27K-100	12VDC	98'-6" / 30M	225	90+	2700K	16'-4"
LTR-P-12V-3.0W-30K-100	12VDC	98'-6" / 30M	242	90+	3000K	16'-4"
LTR-P-12V-3.0W-35K-100	12VDC	98'-6" / 30M	246	90+	3500K	16'-4"
LTR-P-12V-3.0W-40K-100	12VDC	98'-6" / 30M	251	90+	4000K	16'-4"
LTR-P-12V-3.0W-50K-100	12VDC	98'-6" / 30M	254	90+	5000K	16'-4"
LTR-P-24V-3.0W-24K-16	24VDC	16'-4" / 5M	211	90+	2400K	32'-8"
LTR-P-24V-3.0W-27K-16	24VDC	16'-4" / 5M	225	90+	2700K	32'-8"
LTR-P-24V-3.0W-30K-16	24VDC	16'-4" / 5M	242	90+	3000K	32'-8"
LTR-P-24V-3.0W-35K-16	24VDC	16'-4" / 5M	246	90+	3500K	32'-8"
LTR-P-24V-3.0W-40K-16	24VDC	16'-4" / 5M	251	90+	4000K	32'-8"
LTR-P-24V-3.0W-50K-16	24VDC	16'-4" / 5M	254	90+	5000K	32'-8"
LTR-P-24V-3.0W-24K-100	24VDC	98'-6" / 30M	211	90+	2400K	32'-8"
LTR-P-24V-3.0W-27K-100	24VDC	98'-6" / 30M	225	90+	2700K	32'-8"
LTR-P-24V-3.0W-30K-100	24VDC	98'-6" / 30M	242	90+	3000K	32'-8"
LTR-P-24V-3.0W-35K-100	24VDC	98'-6" / 30M	246	90+	3500K	32'-8"
LTR-P-24V-3.0W-40K-100	24VDC	98'-6" / 30M	251	90+	4000K	32'-8"
LTR-P-24V-3.0W-50K-100	24VDC	98'-6" / 30M	254	90+	5000K	32'-8"
LTR-P-24V-4.5W-24K-16	24VDC	16'-4" / 5M	317	90+	2400K	20'
LTR-P-24V-4.5W-27K-16	24VDC	16'-4" / 5M	337	90+	2700K	20'
LTR-P-24V-4.5W-30K-16	24VDC	16'-4" / 5M	334	90+	3000K	20'
LTR-P-24V-4.5W-35K-16	24VDC	16'-4" / 5M	374	90+	3500K	20'
LTR-P-24V-4.5W-40K-16	24VDC	16'-4" / 5M	387	90+	4000K	20'
LTR-P-24V-4.5W-50K-16	24VDC	16'-4" / 5M	395	90+	5000K	20'
LTR-P-24V-4.5W-24K-100	24VDC	98'-6" / 30M	317	90+	2400K	20'
LTR-P-24V-4.5W-27K-100	24VDC	98'-6" / 30M	337	90+	2700K	20'
LTR-P-24V-4.5W-30K-100	24VDC	98'-6" / 30M	334	90+	3000K	20'
LTR-P-24V-4.5W-35K-100	24VDC	98'-6" / 30M	374	90+	3500K	20'
LTR-P-24V-4.5W-40K-100	24VDC	98'-6" / 30M	387	90+	4000K	20'
LTR-P-24V-4.5W-50K-100	24VDC	98'-6" / 30M	395	90+	5000K	20'
LTR-P-24V-5.8W-24K-16	24VDC	16'-4" / 5M	390	90+	2400K	16'-4"
LTR-P-24V-5.8W-27K-16	24VDC	16'-4" / 5M	404	90+	2700K	16'-4"
LTR-P-24V-5.8W-30K-16	24VDC	16'-4" / 5M	423	90+	3000K	16'-4"
LTR-P-24V-5.8W-35K-16	24VDC	16'-4" / 5M	462	90+	3500K	16'-4"
LTR-P-24V-5.8W-40K-16	24VDC	16'-4" / 5M	473	90+	4000K	16'-4"
LTR-P-24V-5.8W-50K-16	24VDC	16'-4" / 5M	493	90+	5000K	16'-4"
LTR-P-24V-5.8W-24K-100	24VDC	98'-6" / 30M	390	90+	2400K	16'-4"
LTR-P-24V-5.8W-27K-100	24VDC	98'-6" / 30M	404	90+	2700K	16'-4"
LTR-P-24V-5.8W-30K-100	24VDC	98'-6" / 30M	423	90+	3000K	16'-4"
LTR-P-24V-5.8W-35K-100	24VDC	98'-6" / 30M	462	90+	3500K	16'-4"
LTR-P-24V-5.8W-40K-100	24VDC	98'-6" / 30M	473	90+	4000K	16'-4"
LTR-P-24V-5.8W-50K-100	24VDC	98'-6" / 30M	493	90+	5000K	16'-4"

NOTE: Kelvin temperature (color)  $\pm 100K$ .

16'-4" and 98'-6" and 250' reel includes 48' lead affixed to tape. 16'-4" reel includes (3) ESTW-60 Sure-Tite connectors. 98'-6" reel includes (10) ESTW-60 Sure-Tite connectors. 250' reel includes (20) ESTW-60 Sure-Tite connectors.

## Complete Your Installation

Sure-Tite Dry Connection Connectors .....	50
LED Tape Mounting Channels, Lens and Accessories .....	55
Power Supplies (sections begin on page).....	193
GM Lighting Wire.....	53
Product Diagrams.....	44
LED Controls.....	44

# LTR-P

## Pro Series Outdoor Location

Why stay indoors when you can bring the beauty of Pro Series LED linear to the environment? With Pro Series Wet Location tape you can specify simple or complex runs, and leave the rest up to us! Performance driven Professional Series LED Tape: not just for indoors.

### KEY FEATURES:

- 24VDC
- 1.5W/ft., 3.0W/ft., 5.8W/ft.
- 90+ CRI
- Wet location
- Premium diodes
- Available in multiple color temps and amber, blue, green and red
- 120 LED's/meter (36/ft.)
- Up to 493 lumens/foot
- IP65
- Dimmable
- Field configurable in 2" increments
- Custom cuts available, see configurator on page 25 or consult factory
- Max. run: 1.5W=60' / 3W=32'-8" 5.8W=16'-4"
- 10mm PCB width
- 3M adhesive back
- UL listed
- 5 year warranty when used with GM power supply

24  
VOLT



90+  
CRI

CLASS  
2

IP  
65

5Yr.  
WARRANTY



Wet Location Product No. Example

## LTR-P-WP-24V- X.XW-XXK-XX-X"

SERIES PREFIX (P = PRO)	LOCATION WP = OUTDOOR	VOLTAGE 24V ONLY	WATTS / FOOT 1.5 3.0 5.8	COLOR TEMP 24K = 2400K 27K = 2700K 30K = 3000K 35K = 3500K 40K = 4000K 50K = 5000K AM=AMBER BL=BLUE GR=GREEN RD=RED	LENGTH 16' = 16'-4" CUSTOM CUT FEET-INCHES (CUTS MADE IN 2" INCREMENTS)
----------------------------	--------------------------	---------------------	-----------------------------------	---	--

**TITLE 24** COMPLIES WITH TITLE 24 WHEN USED WITH SPECIFIC DRIVERS. CONSULT FACTORY.

**FOR PROPER THERMAL MANAGEMENT,  
MOUNT THIS PRODUCT IN CHANNEL  
(REQUIRED FOR 5.8W)**

### ORDERING INFORMATION

Product No.	Output	Length	Lumens per ft.	CRI	Color Temp.	Max. Run
LTR-P-WP-24V-1.5W-24K-16	24VDC	16'-4" / 5M	102	90+	2400K	60'
LTR-P-WP-24V-1.5W-27K-16	24VDC	16'-4" / 5M	109	90+	2700K	60'
LTR-P-WP-24V-1.5W-30K-16	24VDC	16'-4" / 5M	121	90+	3000K	60'
LTR-P-WP-24V-1.5W-35K-16	24VDC	16'-4" / 5M	121	90+	3500K	60'
LTR-P-WP-24V-1.5W-40K-16	24VDC	16'-4" / 5M	136	90+	4000K	60'
LTR-P-WP-24V-1.5W-50K-16	24VDC	16'-4" / 5M	144	90+	5000K	60'
LTR-P-WP-24V-1.5W-24K-FT	24VDC	CUSTOM LENGTH: SEE PAGE 25 ON HOW TO CONFIGURE A CUSTOM RUN. DO NOT EXCEED MAX RUN	102	90+	2400K	60'
LTR-P-WP-24V-1.5W-27K-FT	24VDC		109	90+	2700K	60'
LTR-P-WP-24V-1.5W-30K-FT	24VDC		121	90+	3000K	60'
LTR-P-WP-24V-1.5W-35K-FT	24VDC		121	90+	3500K	60'
LTR-P-WP-24V-1.5W-40K-FT	24VDC		136	90+	4000K	60'
LTR-P-WP-24V-1.5W-50K-FT	24VDC	144	90+	5000K	60'	
LTR-P-WP-24V-1.5W-24K-100	24VDC	98'-6" / 30M	102	90+	2400K	60'
LTR-P-WP-24V-1.5W-27K-100	24VDC	98'-6" / 30M	109	90+	2700K	60'
LTR-P-WP-24V-1.5W-30K-100	24VDC	98'-6" / 30M	121	90+	3000K	60'
LTR-P-WP-24V-1.5W-35K-100	24VDC	98'-6" / 30M	121	90+	3500K	60'
LTR-P-WP-24V-1.5W-40K-100	24VDC	98'-6" / 30M	136	90+	4000K	60'
LTR-P-WP-24V-1.5W-50K-100	24VDC	98'-6" / 30M	144	90+	5000K	60'

16'-4" reel includes 48" lead affixed to tape and a cut and cap accessories kit that includes mounting clips and screws. Field configurable or custom cuts. Wet location connectors (TTC-3,-6,-12,-24) are sold separately in factory custom cuts and runs. 100 ft. reel supplied with 48in lead and WPKT-100 wet location kit. The kit consists of 100 clips and 200 screws. Connectors sold separately. Silicone by others.



## ORDERING INFORMATION

Product No.	Output	Length	Lumens per ft.	CRI	Color Temp.	Max. Run
LTR-P-WP-24V-1.5W-AM-FT*	24VDC	CUSTOM LENGTH: SEE PAGE 25 ON HOW TO CONFIGURE A CUSTOM RUN. DO NOT EXCEED MAX RUN	210	90+	AMBER	60'
LTR-P-WP-24V-1.5W-BL-FT*	24VDC		225	90+	BLUE	60'
LTR-P-WP-24V-1.5W-GR-FT*	24VDC		242	90+	GREEN	60'
LTR-P-WP-24V-1.5W-RD-FT*	24VDC		246	90+	RED	60'
LTR-P-WP-24V-1.5W-AM-100	24VDC	98'-6" / 30M	210	90+	AMBER	60'
LTR-P-WP-24V-1.5W-BL-100	24VDC	98'-6" / 30M	225	90+	BLUE	60'
LTR-P-WP-24V-1.5W-GR-100	24VDC	98'-6" / 30M	242	90+	GREEN	60'
LTR-P-WP-24V-1.5W-RD-100	24VDC	98'-6" / 30M	246	90+	RED	60'
LTR-P-WP-24V-3.0W-24K-16	24VDC	16'-4" / 5M	210	90+	2400K	32'-8"
LTR-P-WP-24V-3.0W-27K-16	24VDC	16'-4" / 5M	225	90+	2700K	32'-8"
LTR-P-WP-24V-3.0W-30K-16	24VDC	16'-4" / 5M	242	90+	3000K	32'-8"
LTR-P-WP-24V-3.0W-35K-16	24VDC	16'-4" / 5M	246	90+	3500K	32'-8"
LTR-P-WP-24V-3.0W-40K-16	24VDC	16'-4" / 5M	254	90+	4000K	32'-8"
LTR-P-WP-24V-3.0W-50K-16	24VDC	16'-4" / 5M	265	90+	5000K	32'-8"
LTR-P-WP-24V-3.0W-24K-FT	24VDC	CUSTOM LENGTH: SEE PAGE 25 ON HOW TO CONFIGURE A CUSTOM RUN. DO NOT EXCEED MAX RUN	210	90+	2400K	32'-8"
LTR-P-WP-24V-3.0W-27K-FT	24VDC		225	90+	2700K	32'-8"
LTR-P-WP-24V-3.0W-30K-FT	24VDC		242	90+	3000K	32'-8"
LTR-P-WP-24V-3.0W-35K-FT	24VDC		246	90+	3500K	32'-8"
LTR-P-WP-24V-3.0W-40K-FT	24VDC		254	90+	4000K	32'-8"
LTR-P-WP-24V-3.0W-50K-FT	24VDC		265	90+	5000K	32'-8"
LTR-P-WP-24V-3.0W-24K-100	24VDC	98'-6" / 30M	210	90+	2400K	32'-8"
LTR-P-WP-24V-3.0W-27K-100	24VDC	98'-6" / 30M	225	90+	2700K	32'-8"
LTR-P-WP-24V-3.0W-30K-100	24VDC	98'-6" / 30M	242	90+	3000K	32'-8"
LTR-P-WP-24V-3.0W-35K-100	24VDC	98'-6" / 30M	246	90+	3500K	32'-8"
LTR-P-WP-24V-3.0W-40K-100	24VDC	98'-6" / 30M	254	90+	4000K	32'-8"
LTR-P-WP-24V-3.0W-50K-100	24VDC	98'-6" / 30M	265	90+	5000K	32'-8"
LTR-P-WP-24V-5.8W-24K-16	24VDC	16'-4" / 5M	390	90+	2400K	16'-4"
LTR-P-WP-24V-5.8W-27K-16	24VDC	16'-4" / 5M	404	90+	2700K	16'-4"
LTR-P-WP-24V-5.8W-30K-16	24VDC	16'-4" / 5M	423	90+	3000K	16'-4"
LTR-P-WP-24V-5.8W-35K-16	24VDC	16'-4" / 5M	462	90+	3500K	16'-4"
LTR-P-WP-24V-5.8W-40K-16	24VDC	16'-4" / 5M	473	90+	4000K	16'-4"
LTR-P-WP-24V-5.8W-50K-16	24VDC	16'-4" / 5M	493	90+	5000K	16'-4"
LTR-P-WP-24V-5.8W-24K-FT	24VDC	CUSTOM LENGTH: SEE PAGE 25 ON HOW TO CONFIGURE A CUSTOM RUN. DO NOT EXCEED MAX RUN	390	90+	2400K	16'-4"
LTR-P-WP-24V-5.8W-27K-FT	24VDC		404	90+	2700K	16'-4"
LTR-P-WP-24V-5.8W-30K-FT	24VDC		423	90+	3000K	16'-4"
LTR-P-WP-24V-5.8W-35K-FT	24VDC		462	90+	3500K	16'-4"
LTR-P-WP-24V-5.8W-40K-FT	24VDC		473	90+	4000K	16'-4"
LTR-P-WP-24V-5.8W-50K-FT	24VDC		493	90+	5000K	16'-4"
LTR-P-WP-24V-5.8W-24K-100	24VDC	98'-6" / 30M	390	90+	2400K	16'-4"
LTR-P-WP-24V-5.8W-27K-100	24VDC	98'-6" / 30M	404	90+	2700K	16'-4"
LTR-P-WP-24V-5.8W-30K-100	24VDC	98'-6" / 30M	423	90+	3000K	16'-4"
LTR-P-WP-24V-5.8W-35K-100	24VDC	98'-6" / 30M	462	90+	3500K	16'-4"
LTR-P-WP-24V-5.8W-40K-100	24VDC	98'-6" / 30M	473	90+	4000K	16'-4"
LTR-P-WP-24V-5.8W-50K-100	24VDC	98'-6" / 30M	493	90+	5000K	16'-4"

16'-4" reel includes 48" lead affixed to tape and a cut and cap accessories kit that includes mounting clips and screws. Field configurable or custom cuts. Wet location connectors (TTC-3,-6,-12,-24) are sold separately in factory custom cuts and runs. 100 ft. reel supplied with 48in lead and WPKT-100 wet location kit. The kit consists of 100 clips and 200 screws. Connectors sold separately. Silicone by others.

## Complete Your Installation

LTR-P-WP Configurator .....	25
LED Tape Mounting Channels, Lens and Accessories .....	55
Power Supplies (sections begin on page).....	193
Wet Location SureTite Connectors .....	51
Wet Location Wire Splice Connector.....	53
GM Lighting Wire.....	53
Product Diagrams.....	44
Specifying long runs with multiple strips and connectors .....	24

# LEDTask™ LED Tape

## LTR-P Professional Series

### Wet Location Run

Our LTR-P-WP tape comes in 16'-4" and 100' reels that include mounting brackets, screws and connector. Laying out a simple run that does not exceed the maximum run is simple (60' for 1.5W, 32'-8" for 3.0W and 16'-4" for 5.8W).

However, when your run includes connectors of different lengths, then we make specifying that run easy! The configurator on the opposite page will give you a great overview of what goes into a factory - configured run. That's right - you lay it out, and we do the work.

**1. Power Feed Connector: 12 feet of lead is supplied to applicable 24V GM LINEdrive Power Supply. NOTE: 5 year warranty is active when used with GM power supply.**

24V Power Supplies Starting on page 193

Power feed included (with per ft. order)

**ADD A MOUNTING CHANNEL. SEE BELOW**

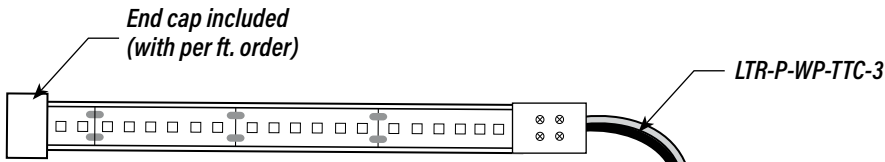
#### MOUNTING CHANNELS COMPATIBLE WITH WET LOCATION LED TAPE

Product No.	Description
LED-CHL-45-1200	Extruded angled (45°) channel. Includes snap-on frosted lens with mounting clips and screws. 4ft.
LED-CHL-XD	Extra deep format extruded channel. Includes snap-on frosted lens with mounting clips and screws. 4ft.
LED-CHL-XD-8	Extra deep format extruded channel. Includes snap-on frosted lens with mounting clips and screws. 8ft.
LED-CHL-XD-F	Extra deep format extruded channel with flange. Includes snap-on frosted lens with mounting clips and screws. 4ft.
LED-CHL-XD-F-8	Extra deep format extruded channel with flange. Includes snap-on frosted lens with mounting clips and screws. 8ft.

Note: For channel and connector dimensions, see page 51, 55.

**2. Specify your first length of LTR-P-WP tape. Subsequent lengths that are interconnected can be listed in the configurator.**

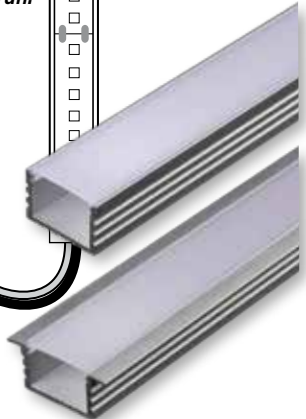
**3. Your first connector. Choose from the Connectors Chart on opposite page. Other connectors that belong in your run are also chosen from this chart.**



**5. Your end of run is terminated by an end cap. Follow the step by step instructions on the next page or log on for our LTR-P-WP configurator.**

**4. Select more lengths, connected by more connectors. Make sure that you do not exceed max. run.**

**OUR WP TAPE CAN NOW BE FIELD CUTTABLE AND CONNECTABLE. SEE VIDEO.**

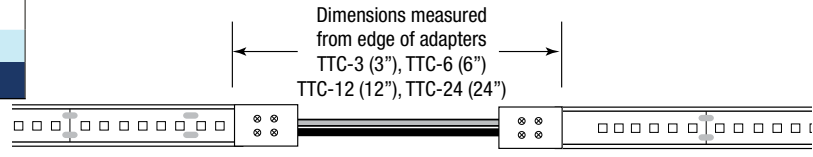


# LTR-P Professional Series Configurator

## CONNECTORS CHART

Product No.	Description
LTR-P-WP-TTC-3	3" tape to tape connector
LTR-P-WP-TTC-6	6" tape to tape connector
LTR-P-WP-TTC-12	12" tape to tape connector
LTR-P-WP-TTC-24	24" tape to tape connector
LTR-P-WP-TPC-12	12ft. tape to power supply connector, end cap included
LTR-P-WP-EC	End cap for wet location tape

**ALSO COMPATIBLE WITH LTR-S-COB-WP WET LOCATION LED TAPE, PG. 32**

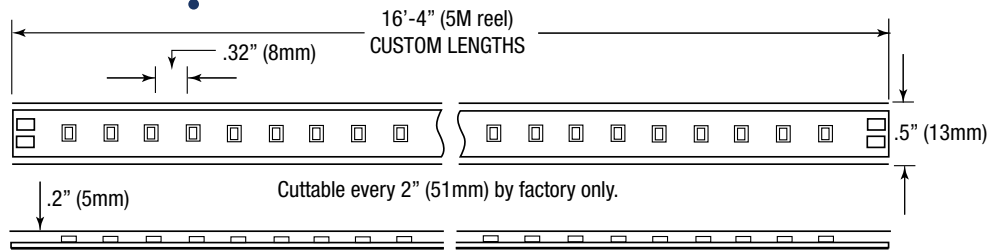


### DIRECTIONS FOR SPECIFYING YOUR LTR-P SERIES OUTDOOR RUN

- Plan your run so it does not exceed 60 feet (1.5W), 32'-8" (3.0W) or 16'-4" (5.8W). Max. run from one power supply is 60'.
- All runs start with a (included) 12 foot Power Feed (in this example it is a LTR-P-WP-TPC-12). Lead wires are field adjustable.
- Select wattage and color temperature
- Enter strip and connector lengths. Interactive form available at [www.gmlighting.net](http://www.gmlighting.net)
- All runs are terminated with an end cap.
- Submit your order to factory. Your completely assembled run will be delivered, ready to install.

**NOTE:**  
Cuts will be made to the nearest 2 inch increments. Please keep in mind when specifying tight layouts.

**NOTE: DO NOT SUBMERGE DIRECTLY IN WATER. YOU CAN ALSO FIND A CONFIGURATOR ON [WWW.GMLIGHTING.NET](http://WWW.GMLIGHTING.NET)**



1 Power Feed	2 LTR-P-WP-24V Strip 1	3 Connector 1	4 LTR-P-WP-24V Strip 2	5 Connector 2	6 LED Strip 3	7 Connector 3	8 LED Strip 4
LTR-P-WP-TPC-12	LTR-P-WP-24V-____-____-____	TTC-____	LTR-P-WP-24V-____-____-____	TTC-____	LTR-P-WP-24V-____-____-____	TTC-____	LTR-P-WP-24V-____-____-____
<b>SPECIFY:</b>  <b>12 FOOT TAPE TO POWER CONNECTOR</b>	<b>SPECIFY:</b> <b>WATTAGE (WATTS/FT.)</b> 1.5 - 1.5W 3.0 - 3W, 5.8 - 5.8W <b>Color Temp.</b> 24K - 2400K 27K - 2700K 30K - 3000K 35K - 3500K 40K - 4000K 50K - 5000K AM - AMBER BL - BLUE GR - GREEN RD - RED <b>Length:</b> 2" INCREMENTS <b>Example:</b> 4'-8" length: LTR-P-WP-24V-3.0-27K-4'8"	<b>SPECIFY:</b> <b>3</b> 3" Connector <b>6</b> 6" Connector <b>12</b> 12" Connector <b>24</b> 24" Connector	<b>SPECIFY:</b> <b>WATTAGE (WATTS/FT.)</b> 1.5 - 1.5W 3.0 - 3W, 5.8 - 5.8W <b>Color Temp.</b> 24K - 2400K 27K - 2700K 30K - 3000K 35K - 3500K 40K - 4000K 50K - 5000K AM - AMBER BL - BLUE GR - GREEN RD - RED <b>Length:</b> 2" INCREMENTS <b>Example:</b> 12' length: LTR-P-WP-24V-3.0-27K-12'	<b>SPECIFY:</b> <b>3</b> 3" Connector <b>6</b> 6" Connector <b>12</b> 12" Connector <b>24</b> 24" Connector	<b>SPECIFY:</b> <b>WATTAGE (WATTS/FT.)</b> 1.5 1.5 - 1.5W 3.0 - 3W, 5.8 - 5.8W <b>Color Temp.</b> 24K - 2400K 27K - 2700K 30K - 3000K 35K - 3500K 40K - 4000K 50K - 5000K AM - AMBER BL - BLUE GR - GREEN RD - RED <b>Length:</b> 2" INCREMENTS <b>Example:</b> 16'-2" length: LTR-P-WP-24V-3.0-27K-16'2"	<b>SPECIFY:</b> <b>3</b> 3" Connector <b>6</b> 6" Connector <b>12</b> 12" Connector <b>24</b> 24" Connector	<b>SPECIFY:</b> <b>Wattage (Watts/Ft.)</b> 1.5 - 1.5W 3.0 - 3W, 5.8 - 5.8W <b>Color Temp.</b> 24K - 2400K 27K - 2700K 30K - 3000K 35K - 3500K 40K - 4000K 50K - 5000K AM - AMBER BL - BLUE GR - GREEN RD - RED <b>Length:</b> 2" INCREMENTS <b>Example:</b> 9'10" length: LTR-P-WP-24V-3.0-27K-9'10"

Selecting a Power Supply: This example of a 2700K Run of 3W Tape (24' total length x 3W/ft = 72W)

LTR-P-WP-TPC-12	LTR-P-WP-24V-3.0-27K-4'	TTC-3	LTR-P-WP-24V-3.0-27K-6'	TTC-12	LTR-P-WP-24V-3.0-27K-7'	TTC-6	LTR-P-WP-24V-3.0-27K-7'
-----------------	-------------------------	-------	-------------------------	--------	-------------------------	-------	-------------------------

\* We recommend a 25% - 80% load for optimal performance with magnetic power supply and 10% - 100% with electronic power supply. For a complete list of power supplies see page 193.









# LTR-S

## Specification Series

Our Specification Series provides the ultimate architectural-grade option. Incorporating features that defines the Spec Series as truly state of the art linear LED tape for applications that not only require, but demand the best optics in the industry.

### KEY FEATURES:

- 24VDC
- 2.5W/ft. and 5.8W/ft.
- 95+ CRI
- Dry location
- Premium diodes
- 160 LED's/meter (48LEDs/ft.)
- Up to 750 lumens/foot
- IP20
- Dimmable
- Cuttable every 1"
- 16'-4" and 98'-6" reels
- 3M adhesive back
- 48" of lead affixed at start of reel
- Max. run: 2.5W=32'-8" 5.8W=16'-4"
- Custom lengths available consult factory
- UL listed
- 5 year warranty when used with GM power supply

**24 VOLT**

**DRY LOCATION**

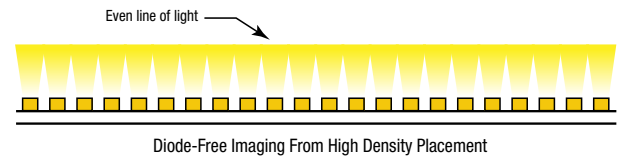
**90+ CRI**

**CLASS 2**

**FIELD CUTTABLE**

**5Yr. WARRANTY**

**UL US**



Standard Tape Product No. Example

**LTR-S - 24V - X.XW - XXK - XX**

SERIES PREFIX  
(S = SPEC)

VOLTAGE

WATTS / FOOT  
2.5  
5.8

COLOR TEMP  
27K = 2700K  
30K = 3000K  
35K = 3500K  
40K = 4000K

REEL LENGTH  
16 = 16'-4"  
100 = 98'-6"

**TITLE 24** COMPLIES WITH TITLE 24 WHEN USED WITH SPECIFIC DRIVERS. CONSULT FACTORY.

**FOR PROPER THERMAL MANAGEMENT, MOUNT THIS PRODUCT IN CHANNEL (REQUIRED FOR 5.8W)**

### ORDERING INFORMATION

Product No.	Output	Wattage per foot	Length	Lumens per foot	CRI	Color Temp.	Max. Run
LTR-S-24V-2.5W-27K-16	24VDC	2.5W	16'-4" / 5M	216	95+	2700K	32'-8"
LTR-S-24V-2.5W-30K-16	24VDC	2.5W	16'-4" / 5M	224	95+	3000K	32'-8"
LTR-S-24V-2.5W-35K-16	24VDC	2.5W	16'-4" / 5M	219	95+	3500K	32'-8"
LTR-S-24V-2.5W-40K-16	24VDC	2.5W	16'-4" / 5M	261	95+	4000K	32'-8"
LTR-S-24V-2.5W-27K-100	24VDC	2.5W	98'-6" / 30M	216	95+	2700K	32'-8"
LTR-S-24V-2.5W-30K-100	24VDC	2.5W	98'-6" / 30M	224	95+	3000K	32'-8"
LTR-S-24V-2.5W-35K-100	24VDC	2.5W	98'-6" / 30M	219	95+	3500K	32'-8"
LTR-S-24V-2.5W-40K-100	24VDC	2.5W	98'-6" / 30M	261	95+	4000K	32'-8"
LTR-S-24V-5.8W-27K-16	24VDC	5.8W	16'-4" / 5M	520	95+	2700K	16'-4"
LTR-S-24V-5.8W-30K-16	24VDC	5.8W	16'-4" / 5M	519	95+	3000K	16'-4"
LTR-S-24V-5.8W-35K-16	24VDC	5.8W	16'-4" / 5M	513	95+	3500K	16'-4"
LTR-S-24V-5.8W-40K-16	24VDC	5.8W	16'-4" / 5M	504	95+	4000K	16'-4"
LTR-S-24V-5.8W-27K-100	24VDC	5.8W	98'-6" / 30M	520	95+	2700K	16'-4"
LTR-S-24V-5.8W-30K-100	24VDC	5.8W	98'-6" / 30M	519	95+	3000K	16'-4"
LTR-S-24V-5.8W-35K-100	24VDC	5.8W	98'-6" / 30M	513	95+	3500K	16'-4"
LTR-S-24V-5.8W-40K-100	24VDC	5.8W	98'-6" / 30M	504	95+	4000K	16'-4"

Kelvin temperature (color) ±100K. 16'-4" and 98'-6" reel includes 48" lead affixed to tape. 16'-4" reel includes (3) ESTW-60 Sure-Tite connectors. 98'-6" reel includes (10) ESTW-60 Sure-Tite connectors.

### Complete Your Installation

Sure-Tite Dry Connection Connectors .....	50
LED Tape Mounting Channels, Lens and Accessories .....	55



# LTR-S

24  
VOLT



90+  
CRI

CLASS  
2



5Yr.  
WARRANTY

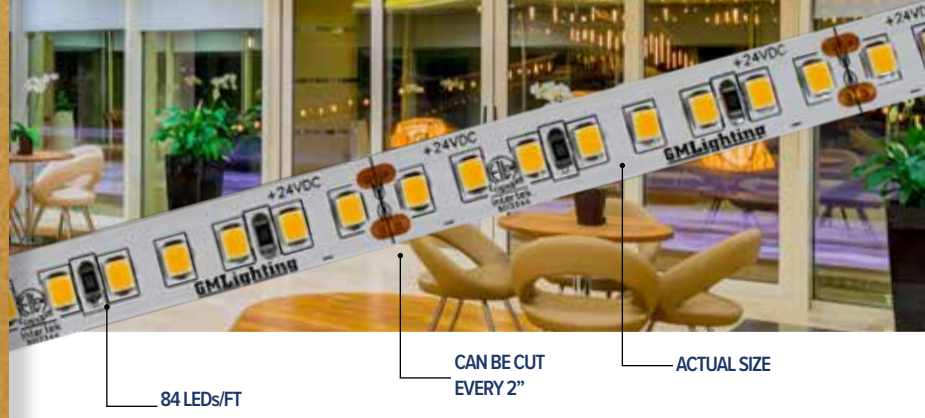


## High Output LED Tape

GM Lighting's new high lumen LTR-S Series LED tape is designed for integration into ceilings and other spaces where high lumen illumination is needed. Select from a variety of color temperatures and lumen outputs to brighten your space.

### KEY FEATURES:

- 24VDC
- 8W/ft.
- 90+ CRI
- Dry location
- Premium diodes
- Over 1000 lumens/foot
- 275 LED's/meter (84LEDs/ft.)
- IP20
- Dimmable
- Cutable every 2"
- 120° viewing angle
- 3M adhesive back
- 48" of lead affixed at start of reel
- Max. run: 8W=12'
- Custom lengths available consult factory
- ETL listed
- 5 year warranty when used with GM power supply



Standard Tape Product No. Example

# LTR-S - HO - 24V - 8W - XXK - XX

SERIES PREFIX  
(S = SPEC)

TYPE

VOLTAGE

WATTS / FOOT  
8

COLOR TEMP  
27K = 2700K  
30K = 3000K  
35K = 3500K  
40K = 4000K

REEL LENGTH  
Per Foot  
100ft. reels

TITLE  
24

COMPLIES WITH  
TITLE 24 WHEN USED  
WITH SPECIFIC DRIVERS.  
CONSULT FACTORY.

**FOR PROPER THERMAL MANAGEMENT,  
MOUNT THIS PRODUCT IN CHANNEL  
(REQUIRED FOR 8W)**

## ORDERING INFORMATION

Product No.	Output	Wattage per foot	Length	Lumens per foot	CRI	Color Temp.	Max. Run
LTR-S-HO-24V-8W-27K-FT	24VDC	8W	100FT. REELS OR CUSTOM LENGTHS	1115	90+	2700K	12'
LTR-S-HO-24V-8W-30K-FT	24VDC	8W		1143	90+	3000K	12'
LTR-S-HO-24V-8W-35K-FT	24VDC	8W		1148	90+	3500K	12'
LTR-S-HO-24V-8W-40K-FT	24VDC	8W		1201	90+	4000K	12'
LTR-S-HO-24V-8W-27K-100	24VDC	8W		1115	90+	2700K	12'
LTR-S-HO-24V-8W-30K-100	24VDC	8W		1143	90+	3000K	12'
LTR-S-HO-24V-8W-35K-100	24VDC	8W		1148	90+	3500K	12'
LTR-S-HO-24V-8W-40K-100	24VDC	8W		1201	90+	4000K	12'

Kelvin temperature (color) ±100K. 16'-4" and 98'-6" reel includes 48" lead affixed to tape. 16'-4" reel includes (3) ESTW-60 Sure-Tite connectors. 98'-6" reel includes (10) ESTW-60 Sure-Tite connec-

## Complete Your Installation

- Sure-Tite Dry Connection Connectors ..... 50
- LED Tape Mounting Channels, Lens and Accessories ..... 55

# LTR-S

## Chip-On-Board (COB) Indoor

Chip On Board is an exciting new 'state of the art' technology where multiple LED chips are encased in a row of phosphor producing a glare-free light source. Chip-on-board technology maintains not only the best performance, but it also provides improved flexibility and a longer life span.

### KEY FEATURES:

- 24VDC
- 1.5W/ft. and 3.0W/ft.
- 95+ CRI
- Dry or Wet location (page 32)
- Premium diodes
- 512 LEDs/meter (156 LEDs/ft.)
- 180° viewing angle
- Dimmable
- Cuttable every 2"
- 16'-4" and 100' reels
- 3M adhesive back
- 48" of lead affixed at start of reel
- Max. run: 1.5W=32'-8" 3.0W=16'-4"
- UL listed
- 5 year warranty when used with GM power supply

24 VOLT



95+ CRI

CLASS 2



5 Yr WARRANTY



156 LEDs/FT

CAN BE CUT EVERY 2"

ACTUAL SIZE

**TITLE 24** COMPLIES WITH TITLE 24 WHEN USED WITH SPECIFIC DRIVERS. CONSULT FACTORY.

Special Tape Product No. Example

# LTR-S - XXX - XXV - X.XW - XXK - 16

SERIES PREFIX (S = SPEC)

TYPE COB

VOLTAGE 12V 24V

WATTS / FOOT 1.5W - 3.0W 1.5W (COB)

COLOR TEMP 27K = 2700K 30K = 3000K 35K = 3500K 40K = 4000K

REEL LENGTH 16 = 16'-4" 100 = 98'-6"

### ORDERING INFORMATION

Product No.	Output	Wattage per foot	Type	Length	Lumens per foot	CRI	Color Temp.	Max. Run
LTR-S-COB-24V-1.5W-27K-16	24VDC	1.5W	COB	16'-4" / 5M	127	95+	2700K	32'-8"
LTR-S-COB-24V-1.5W-30K-16	24VDC	1.5W	COB	16'-4" / 5M	127	95+	3000K	32'-8"
LTR-S-COB-24V-1.5W-35K-16	24VDC	1.5W	COB	16'-4" / 5M	127	95+	3500K	32'-8"
LTR-S-COB-24V-1.5W-40K-16	24VDC	1.5W	COB	16'-4" / 5M	142	95+	4000K	32'-8"
LTR-S-COB-24V-1.5W-27K-100	24VDC	1.5W	COB	98'-6" / 30M	127	95+	2700K	32'-8"
LTR-S-COB-24V-1.5W-30K-100	24VDC	1.5W	COB	98'-6" / 30M	127	95+	3000K	32'-8"
LTR-S-COB-24V-1.5W-35K-100	24VDC	1.5W	COB	98'-6" / 30M	127	95+	3500K	32'-8"
LTR-S-COB-24V-1.5W-40K-100	24VDC	1.5W	COB	98'-6" / 30M	142	95+	4000K	32'-8"
LTR-S-COB-24V-3.0W-27K-16	24VDC	3.0W	COB	16'-4" / 5M	255	95+	2700K	16'-4"
LTR-S-COB-24V-3.0W-30K-16	24VDC	3.0W	COB	16'-4" / 5M	265	95+	3000K	16'-4"
LTR-S-COB-24V-3.0W-35K-16	24VDC	3.0W	COB	16'-4" / 5M	275	95+	3500K	16'-4"
LTR-S-COB-24V-3.0W-40K-16	24VDC	3.0W	COB	16'-4" / 5M	285	95+	4000K	16'-4"

16'-4" reel includes 48" lead affixed to tape and (3) ESTW-60 Sure-Tite connectors.

### Complete Your Installation

Sure-Tite Dry Connection Connectors .....	50
LED Tape Mounting Channels, Lens and Accessories .....	55







# LTR-S

## Chip-On-Board (COB) Outdoor

Chip On Board is an exciting new 'state of the art' technology where multiple LED chips are encased in a row of phosphor producing a glare-free light source. Chip-on-board technology maintains not only the best performance, but it also provides improved flexibility and a longer life span.

### KEY FEATURES:

- 24VDC
- 1.5W/ft. and 3.0W/ft.
- 95+ CRI
- Dry or Wet location
- Premium diodes
- 512 LEDs/meter (156 LEDs/ft.)
- 180° viewing angle
- IP65 (wet location)
- Dimmable
- Cuttable every 2"
- 32'-8" reels and custom cuts
- 3M adhesive back
- 48" of lead affixed at start of reel
- Max. run: 1.5W=32'-8" 3.0W=16'-4"
- Custom lengths available consult factory
- UL listed
- 5 year warranty when used with GM power supply

24 VOLT



95+ CRI

CLASS 2



IP 65

5Yr. WARRANTY



156 LEDs/FT

CAN BE CUT EVERY 2"

ACTUAL SIZE

**TITLE 24** COMPLIES WITH TITLE 24 WHEN USED WITH SPECIFIC DRIVERS. CONSULT FACTORY.

Special Tape Product No. Example

**LTR-S - XXX - XXV - X.XW - XXXK - XX**

SERIES PREFIX (S = SPEC)

TYPE COBWP

VOLTAGE  
12V  
24V

WATTS / FOOT  
1.5W  
3.0W

COLOR TEMP  
27K = 2700K  
30K = 3000K  
35K = 3500K  
40K = 4000K

REEL LENGTH  
32' = 32'-8"  
CUSTOM CUT (COBWP)  
FEET-INCHES (CUTS MADE IN 2" INCREMENTS)

### ORDERING INFORMATION

Product No.	Output	Wattage per foot	Type	Length	Lumens per foot	CRI	Color Temp.	Max. Run
LTR-S-COBWP-24V-1.5W-27K-FT	24VDC	1.5W	COBWP	CUSTOM LENGTH: SEE PAGE 25 ON HOW TO CONFIGURE A CUSTOM RUN. DO NOT EXCEED MAX RUN	127	95+	2700K	32'-8"
LTR-S-COBWP-24V-1.5W-30K-FT	24VDC	1.5W	COBWP		127	95+	3000K	32'-8"
LTR-S-COBWP-24V-1.5W-35K-FT	24VDC	1.5W	COBWP		127	95+	3500K	32'-8"
LTR-S-COBWP-24V-1.5W-40K-FT	24VDC	1.5W	COBWP		142	95+	4000K	32'-8"
LTR-S-COBWP-24V-3.0W-27K-FT	24VDC	3.0W	COBWP		255	95+	2700K	32'-8"
LTR-S-COBWP-24V-3.0W-30K-FT	24VDC	3.0W	COBWP		265	95+	3000K	32'-8"
LTR-S-COBWP-24V-3.0W-35K-FT	24VDC	3.0W	COBWP		275	95+	3500K	32'-8"
LTR-S-COBWP-24V-3.0W-40K-FT	24VDC	3.0W	COBWP		285	95+	4000K	32'-8"
LTR-S-COBWP-24V-1.5W-27K-32	24VDC	1.5W	COBWP	32'-8" / 10M	127	95+	2700K	32'-8"
LTR-S-COBWP-24V-1.5W-30K-32	24VDC	1.5W	COBWP	32'-8" / 10M	127	95+	3000K	32'-8"
LTR-S-COBWP-24V-1.5W-35K-32	24VDC	1.5W	COBWP	32'-8" / 10M	127	95+	3500K	32'-8"
LTR-S-COBWP-24V-1.5W-40K-32	24VDC	1.5W	COBWP	32'-8" / 10M	142	95+	4000K	32'-8"
LTR-S-COBWP-24V-3.0W-27K-32	24VDC	3.0W	COBWP	32'-8" / 10M	255	95+	2700K	32'-8"
LTR-S-COBWP-24V-3.0W-30K-32	24VDC	3.0W	COBWP	32'-8" / 10M	265	95+	3000K	32'-8"
LTR-S-COBWP-24V-3.0W-35K-32	24VDC	3.0W	COBWP	32'-8" / 10M	275	95+	3500K	32'-8"
LTR-S-COBWP-24V-3.0W-40K-32	24VDC	3.0W	COBWP	32'-8" / 10M	285	95+	4000K	32'-8"

The COBWP wet location 16'-4" reel includes 48" lead affixed to tape and a cut and cap accessories kit that includes mounting clips, screws and end caps. Field configurable or custom cuts. Wet location connectors (TTC-3,-6,-12,-24) are sold separately in factory custom cuts and runs.

### Complete Your Installation

- Sure-Tite Dry Connection Connectors ..... 51
- LED Tape Mounting Channels, Lens and Accessories .....55







# ChromaDim

TUNABLE WHITE & DIMMING  
LIGHTING CONTROL SYSTEM

PAGE 105



24  
VOLT

DRY  
LOCATION

90+  
CRI

CLASS  
2

CUTTABLE

5 Yr.  
WARRANTY

ETL  
Intertek

# LTR-S

## Tunable White LED Tape

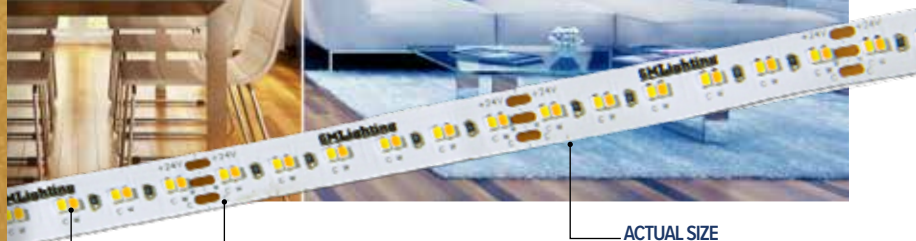
The LTR-S-TUN-24V Tunable White LED Tape enables light to be 'fine tuned' over a spectrum of white color temperatures, therefore, allowing subtle to stark ambiance changes to match the mood, the event, or the subject illuminated. Our Tunable White LED Tape can be adjusted from 2400K to 5000K.

### KEY FEATURES:

- 24VDC
- 1.5W/ft., 3.0W/ft. and 5W/ft.
- 90+ CRI
- 2400K to 5000K
- Dry location
- IP20
- Premium diodes
- 120 LED's/meter (36LEDs/ft.)
- 120° viewing angle
- Dimmable
- Controlled by LUXcontrol or ChromaDim
- Cuttable every 2"
- 3M adhesive back
- 48" of lead affixed at start of reel
- Max. run: 1.5W and 3W=32'-8" 5.0W=16'-4"
- Custom lengths available consult factory
- ETL listed
- 5 year warranty when used with GM power supply



# ChromaDim



Special Tape Product No. Example

## LTR-S - TUN - 24V - X.XW - 16

SERIES PREFIX  
(S = SPEC)

TYPE

VOLTAGE

WATTS / FOOT  
1.5W  
3.0W  
5.0W

REEL LENGTH  
16 = 16'-4"  
CUSTOM CUT  
FEET-INCHES  
(CUTS MADE IN  
2" INCREMENTS)

**TITLE 24** COMPLIES WITH TITLE 24 WHEN USED WITH SPECIFIC DRIVERS. CONSULT FACTORY.

**FOR PROPER THERMAL MANAGEMENT, MOUNT THIS PRODUCT IN CHANNEL (RECOMMENDED FOR 5W)**

### ORDERING INFORMATION

Product No.	Output	Wattage per foot	Type	Length	Lumens per foot	CRI	Color Temp.	Max. Run
LTR-S-TUN-24V-1.5W-16	24VDC	1.5W	TUN	16'-4" / 5M	162 (3500K)	90+	2400K-5000K	32'-8"
LTR-S-TUN-24V-1.5W-100	24VDC	1.5W	TUN	16'-4" / 5M	162 (3500K)	90+	2400K-5000K	32'-8"
LTR-S-TUN-24V-1.5W-FT	24VDC	1.5W	TUN	16'-4" / 5M	162 (3500K)	90+	2400K-5000K	32'-8"
LTR-S-TUN-24V-3.0W-16	24VDC	3.0W	TUN	16'-4" / 5M	267 (3500K)	90+	2400K-5000K	32'-8"
LTR-S-TUN-24V-3.0W-100	24VDC	3.0W	TUN	16'-4" / 5M	267 (3500K)	90+	2400K-5000K	32'-8"
LTR-S-TUN-24V-3.0W-FT	24VDC	3.0W	TUN	16'-4" / 5M	267 (3500K)	90+	2400K-5000K	32'-8"
LTR-S-TUN-24V-5.0W-16	24VDC	5.0W	TUN	16'-4" / 5M	415 (3500K)	90+	2400K-5000K	16'-4"
LTR-S-TUN-24V-5.0W-100	24VDC	5.0W	TUN	16'-4" / 5M	415 (3500K)	90+	2400K-5000K	16'-4"
LTR-S-TUN-24V-5.0W-FT	24VDC	5.0W	TUN	16'-4" / 5M	415 (3500K)	90+	2400K-5000K	16'-4"

16'-4" reel includes 48" lead affixed to tape.

### CONNECTORS

Connector Product No.	Description
LTR-S-TUN-SP	SPLICE CONNECTOR
LTR-S-TUN-TPC60	60" ADJUSTABLE TAPE TO POWER CONNECTOR
LTR-S-TUN-TTC3	3" ADJUSTABLE TAPE TO TAPE CONNECTOR
LTR-S-TUN-TTC12	12" ADJUSTABLE TAPE TO TAPE CONNECTOR
LTR-S-TUN-TTC24	24" ADJUSTABLE TAPE TO TAPE CONNECTOR
LTR-S-TUN-TTC36	36" ADJUSTABLE TAPE TO TAPE CONNECTOR
LTR-S-TUN-TTC60	60" ADJUSTABLE TAPE TO TAPE CONNECTOR

Connectors ordered separately.

2400K

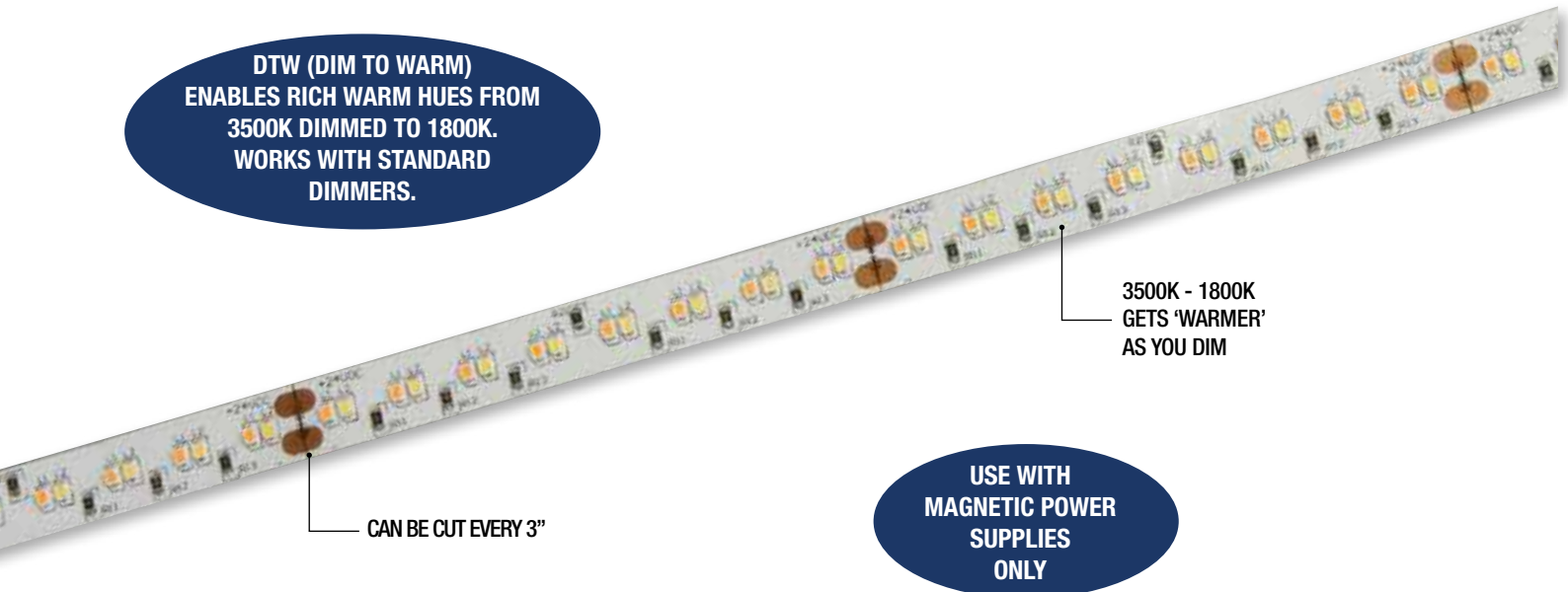
5000K

**LTR-S TAPE DIAGRAMS: PAGE 45  
COMPLETE LIST OF CHANNELS: PAGE 55  
POWER SUPPLIES: PAGE 193**

# LTR-S SERIES DTW (DIM TO WARM) LED TAPE



Dim to warm trades light output for light color. When you dim a dim to warm fixture, you are affecting the color output of the source. Therefore, you aren't just manipulating light output, you are manipulating light ambience. The difference between 3500K and the warmer 1800K can make a huge difference in creating an environment where tone is dictated by light color.



**USE WITH  
MAGNETIC POWER  
SUPPLIES  
ONLY**

## DTW KEY FEATURES

- Dims light and color temperature for a unique effect
- Mimics incandescent dimming effects
- Adds ambience to residential and hospitality environments
- Two-wire system for standard installation and dimming

Special Tape Product No. Example

# LTR-S - DTW-24V-3.0W-16

<b>SERIES PREFIX</b> (S = SPEC)	<b>TYPE</b> DTW	<b>VOLTAGE</b> 24V	<b>WATTS / FOOT</b> 3.0W	<b>REEL LENGTH</b> 16 = 16'-4"
------------------------------------	--------------------	-----------------------	-----------------------------	-----------------------------------

## ORDERING INFORMATION

Product No.	Output	Wattage per foot	Type	Length	Lumens per foot	CRI	Color Temp.	Max. Run
LTR-S-DTW-24V-3.0W-16	24VDC	3.0W	DTW	16'-4" / 5M	194 @3500K	95+	3500K - 1800K	32'-8"

16'-4" reel includes 24" lead affixed to tape and (3) ESTW-60 Sure-Tite connectors.



## Complete Your Installation

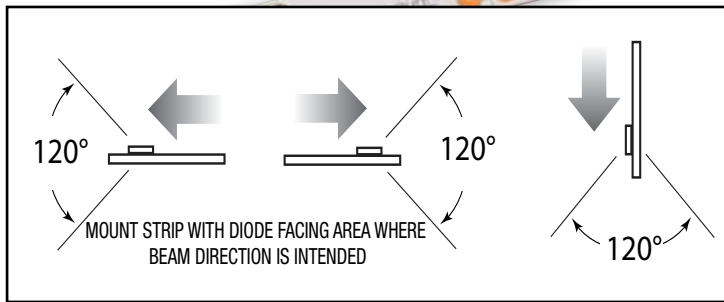
Sure-Tite Dry Connection Connectors .....	50
LED Tape Mounting Channels, Lens and Accessories .....	55
Power Supplies (sections begin on page).....	193
GM Lighting Wire.....	53
Product Diagrams.....	45

# LTR-S SERIES SIDE VIEW AND TWIST-TASK LED TAPE

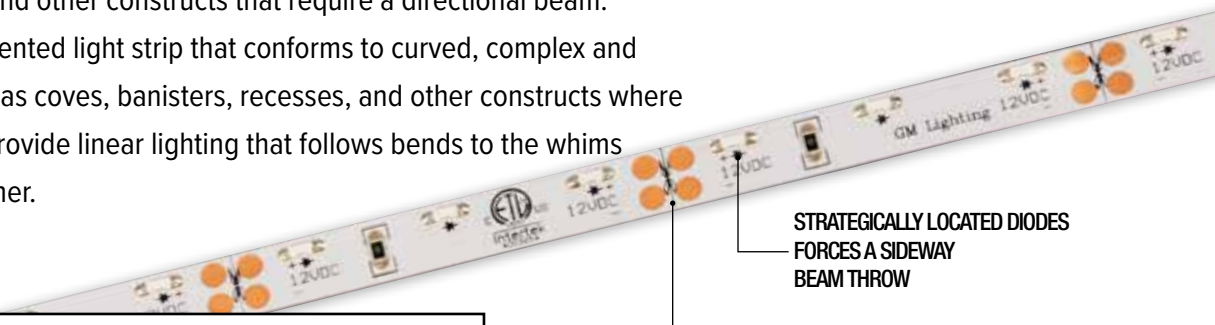


LEDtask™ Side View is a flexible LED linear tape that features strategically placed diodes that throw light out at an angle, making it perfect for coves, illuminating architectural detail and other constructs that require a directional beam.

Twist-Task is a segmented light strip that conforms to curved, complex and irregular forms such as coves, banisters, recesses, and other constructs where the challenge is to provide linear lighting that follows bends to the whims of the lighting designer.



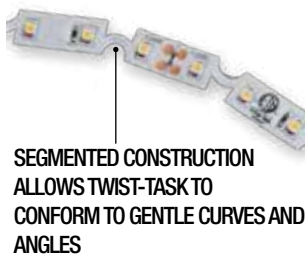
SIDE VIEW BEAM SPREAD DIAGRAM



Special Tape Product No. Example

## LTR-S - XX -12V-X.XW-XXK-16

<b>SERIES PREFIX</b> (S = SPEC)	<b>TYPE</b> SV (SIDE VIEW) TW (TWIST-TASK)	<b>VOLTAGE</b> 12V	<b>WATTS / FOOT</b> 1.5 (SV) 2.2 (TW)	<b>COLOR TEMP</b> 27K = 2700K 30K = 3000K 35K = 3500K 40K = 4000K	<b>REEL LENGTH</b> 16' = 16'-4"
------------------------------------	--	-----------------------	---	---	------------------------------------



CAN BE CUT EVERY 4"

### ORDERING INFORMATION

Product No.	Output	Wattage per foot	Type	Length	Lumens per foot	CRI	Color Temp.	Max. Run
LTR-S-SV-12V-1.5W-27K-16	12VDC	1.5W	SIDE VIEW	16'-4" / 5M	104	80+	2700K	32'-8"
LTR-S-SV-12V-1.5W-30K-16	12VDC	1.5W	SIDE VIEW	16'-4" / 5M	108	80+	3000K	32'-8"
LTR-S-SV-12V-1.5W-35K-16	12VDC	1.5W	SIDE VIEW	16'-4" / 5M	120	80+	3500K	32'-8"
LTR-S-SV-12V-1.5W-40K-16	12VDC	1.5W	SIDE VIEW	16'-4" / 5M	127	80+	4000K	32'-8"
LTR-S-TW-12V-2.2W-27K-16	12VDC	2.2W	TWIST-TASK	16'-4" / 5M	183	90+	2700K	16'-4"
LTR-S-TW-12V-2.2W-30K-16	12VDC	2.2W	TWIST-TASK	16'-4" / 5M	192	90+	3000K	16'-4"
LTR-S-TW-12V-2.2W-35K-16	12VDC	2.2W	TWIST-TASK	16'-4" / 5M	199	90+	3500K	16'-4"
LTR-S-TW-12V-2.2W-40K-16	12VDC	2.2W	TWIST-TASK	16'-4" / 5M	201	90+	4000K	16'-4"

16'-4" reel includes 24" lead affixed to tape. SV includes (3) STW-60 Sure-Tite connectors. TW includes (3) ESTW-60 connectors.

### Complete Your Installation

- Sure-Tite Dry Connection Connectors ..... 50
- LED Tape Mounting Channels, Lens and Accessories .....55
- Power Supplies (sections begin on page)..... 193
- GM Lighting Wire.....53
- Product Diagrams.....45









24  
VOLT

# LTR-S

## Specification Series RGBW and RGBW-WP

RGBW is the next step in color changing RGB linear lighting technology. With the RGBW, not only you have a virtually unlimited palette of color combinations, but you are also able to add true white 3000K as an alternate mode.



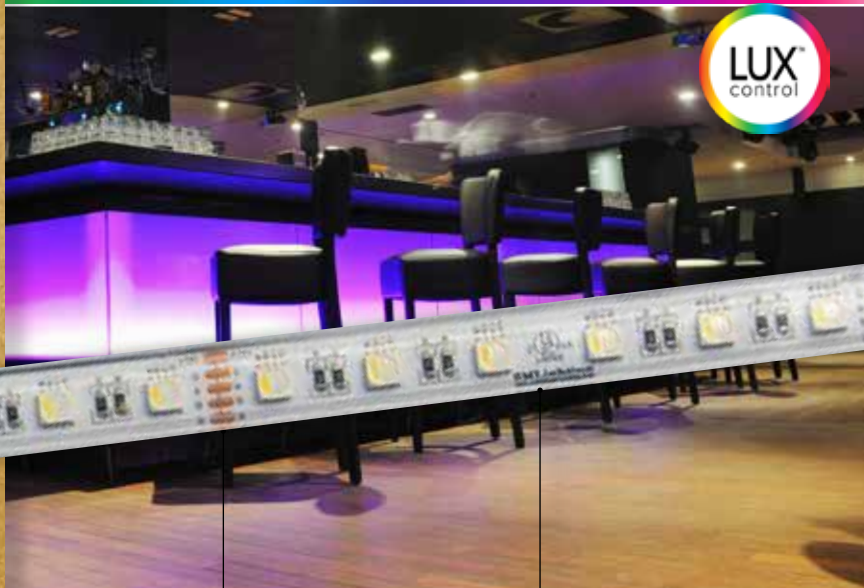
5 Yr.  
WARRANTY



With both a dry and wet location 24VDC tape any environment can be home to true white 3000K, intense color saturation, transition effects, and fade to white effects. Available in 16'-4" (5M) reels. Custom lengths available - consult factory. Cut and cap only. Do not submerge in water. Wet location only.

### KEY FEATURES:

- 24VDC
- 3.0W/ft. and 6.0W/ft.
- True White mode available in 3000K
- Dry or wet location
- 60 LED's/meter (20/ft.)
- 120° viewing angle
- Multiple control options: LUXcontrol™ Wireless or RF Remote or DMX (see page 97)
- Cuttable every 4"
- Wet location is cut and cap only
- 3M adhesive back
- Custom lengths available consult factory
- UL listed
- 5 year warranty when used with GM power supply



CAN BE CUT EVERY 4".  
WET LOCATION (WP) CAN  
ONLY BE CUT, CAPPED  
AND TERMINATED

WET LOCATION ENCASED IN UV  
PROTECTED OPTICAL CLEAR  
WEATHER PROTECTED SILICONE  
SHEATH

## COLOR MIXED WITH 3000K WHITE

Ambiance combines with atmosphere and it's all under your control. Unlimited color effects and spectrums are yours in this specification grade tape.

Special Tape Product No. Example

## LTR-S - XXV - WP - X.XW - RGBW - 16

SERIES PREFIX  
(S = SPEC)

VOLTAGE  
24V

LOCATION  
WP = OUTDOOR

WATTS / FOOT  
3.0W - 6.0W

COLOR

REEL  
LENGTH  
16 = 16'-4"

24V NON-DIMMING  
POWER SUPPLY  
REQUIRED

RGBW CONTROLLERS: PAGE 97  
RGBW CONNECTORS: PAGE 50

### ORDERING INFORMATION

Product No.	Output	Wattage per foot	Type	Length	Lumens per foot in 3000K only mode	Max. Run
LTR-S-24V-3.0W-RGBW-16	24VDC	3W	RGBW	16'-4" / 5M	210	32'-8"
LTR-S-24V-3.0W-RGBW-32	24VDC	3W	RGBW	32'-8" / 5M	210	32'-8"
LTR-S-24V-6.0W-RGBW-16	24VDC	6W	RGBW	16'-4" / 5M	430	16'-4"
LTR-S-24V-WP-3.0W-RGBW-16	24VDC	3W	RGBW-WP	16'-4" / 5M	210	32'-8"
LTR-S-24V-WP-3.0W-RGBW-32	24VDC	3W	RGBW-WP	32'-8" / 5M	210	32'-8"

16'-4" reel includes 48" lead affixed to tape.

RGBW includes 48" lead affixed to tape. RGBW-WP includes 48" lead affixed to tape and a cut and cap kit.



LTR-S RGBW TAPE DIAGRAMS: PAGE 45  
COMPLETE LIST OF CHANNELS: PAGES 55  
POWER SUPPLIES: PAGES 193





# LTR-E

12  
VOLT

24  
VOLT



80+  
CRI

CLASS  
2



5Yr.  
WARRANTY



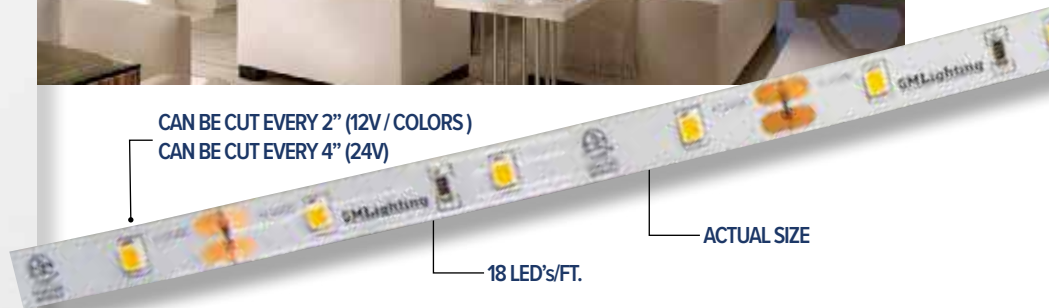
## Econo Series

When an application is straight forward and standard in every respect but still calls for quality, reliability and versatility, then consider our Econo Series.

Available in either 12 or 24VDC, and a wide range of color temps and colors.

### KEY FEATURES:

- 12VDC / 24VDC
- 1.5W / ft.
- 2700K, 3000K, 3500K, 4000K
- Amber, Blue, Green, Red
- 80+ CRI
- Dry Location
- IP20
- 60 LED's per meter (18/ft.)
- Dimmable
- Cutable every 2" (12V & colors)
- Cutable every 4" (24V)
- 3M adhesive back
- 48" lead affixed at start of reel
- Custom lengths available consult factory
- 5 year warranty when used with GM power supply



Product No. Example

**LTR - E - XXV - 1.5W - XX - XX**

SERIES PREFIX  
(E = ECONO)

VOLTAGE  
12V  
24V

WATTS / FOOT

COLOR TEMP  
27K = 2700K  
30K = 3000K  
35K = 3500K  
40K = 4000K  
AM = AMBER  
BL = BLUE  
GR = GREEN  
RD = RED

REEL LENGTH  
16 = 16'-4"  
100 = 98'-6"

## ORDERING INFORMATION

Product No.	Output	Length	Lumens per ft.	CRI	Color Temp.	Max. Run
LTR-E-12V-1.5W-27K-16	12VDC	16'-4" / 5M	127	80+	2700K	32'-8"
LTR-E-12V-1.5W-30K-16	12VDC	16'-4" / 5M	133	80+	3000K	32'-8"
LTR-E-12V-1.5W-35K-16	12VDC	16'-4" / 5M	134	80+	3500K	32'-8"
LTR-E-12V-1.5W-40K-16	12VDC	16'-4" / 5M	149	80+	4000K	32'-8"
LTR-E-12V-1.5W-27K-100	12VDC	98'-6" / 30M	127	80+	2700K	32'-8"
LTR-E-12V-1.5W-30K-100	12VDC	98'-6" / 30M	133	80+	3000K	32'-8"
LTR-E-12V-1.5W-35K-100	12VDC	98'-6" / 30M	134	80+	3500K	32'-8"
LTR-E-12V-1.5W-40K-100	12VDC	98'-6" / 30M	149	80+	4000K	32'-8"
LTR-E-12V-1.5W-AM-16	12VDC	16'-4" / 5M	N/A	N/A	AMBER	32'-8"
LTR-E-12V-1.5W-BL-16	12VDC	16'-4" / 5M	N/A	N/A	BLUE	32'-8"
LTR-E-12V-1.5W-GR-16	12VDC	16'-4" / 5M	N/A	N/A	GREEN	32'-8"
LTR-E-12V-1.5W-RD-16	12VDC	16'-4" / 5M	N/A	N/A	RED	32'-8"
LTR-E-24V-1.5W-27K-16	24VDC	16'-4" / 5M	127	80+	2700K	32'-8"
LTR-E-24V-1.5W-30K-16	24VDC	16'-4" / 5M	133	80+	3000K	32'-8"
LTR-E-24V-1.5W-35K-16	24VDC	16'-4" / 5M	134	80+	3500K	32'-8"
LTR-E-24V-1.5W-40K-16	24VDC	16'-4" / 5M	149	80+	4000K	32'-8"
LTR-E-24V-1.5W-27K-100	24VDC	98'-6" / 30M	127	80+	2700K	32'-8"
LTR-E-24V-1.5W-30K-100	24VDC	98'-6" / 30M	133	80+	3000K	32'-8"
LTR-E-24V-1.5W-35K-100	24VDC	98'-6" / 30M	134	80+	3500K	32'-8"
LTR-E-24V-1.5W-40K-100	24VDC	98'-6" / 30M	149	80+	4000K	32'-8"

16'-4" and 98'-6" reel includes 48" lead affixed to tape. Sure-Tite connectors not included.



## Complete Your Installation

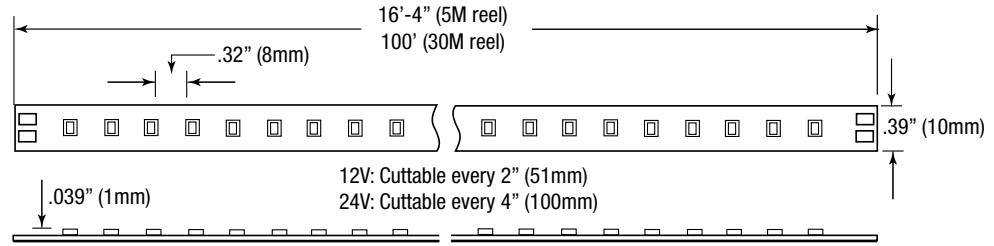
Sure-Tite Dry Connection Connectors .....	50
LED Tape Mounting Channels, Lens and Accessories .....	55
Power Supplies (sections begin on page).....	193
GM Lighting Wire.....	53
Product Diagrams.....	45



# LTR-P SERIES TAPE DIAGRAMS

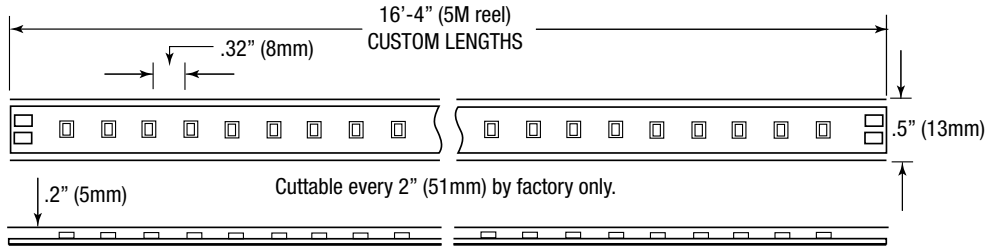
## LTR-P Pro Series Indoor Location

Reels: 16'-4" (5M)  
98'-6" (30M)  
Width: .39" (10mm)  
Height: .039" (1mm)  
Diodes: .32" O.C. (8mm)  
Connector: EST Series Sure-Tite



## LTR-P Pro Series Outdoor Location

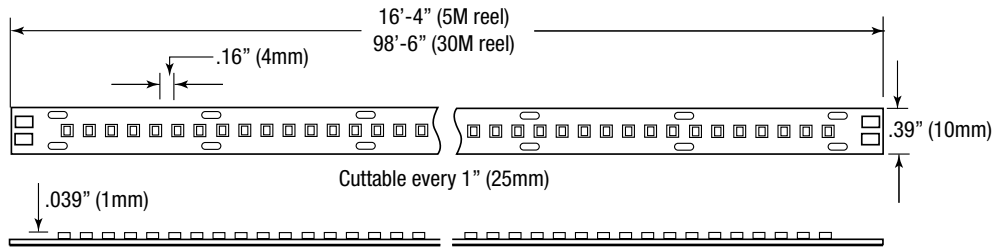
Reels: 16'-4" (5M)  
by the foot  
(use configurator)  
Width: .5" (13mm)  
Height: .2" (5mm)  
Diodes: .32" O.C. (8mm)  
Connector: LTR-P-WP Series



# LTR-S SERIES TAPE DIAGRAMS

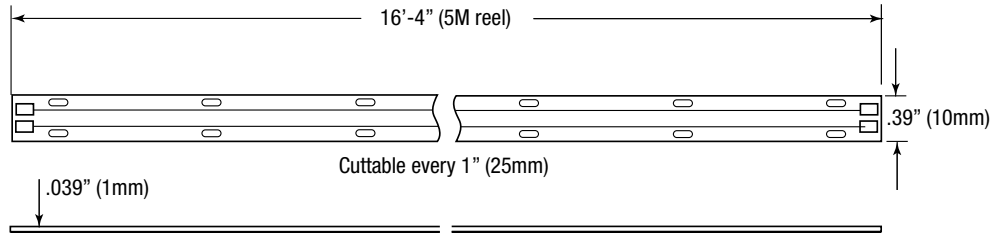
## LTR-S Spec Series Indoor Location

Reels: 16'-4" (5M)  
98'-6" (30M)  
Width: .39" (10mm)  
Height: .039" (1mm)  
Diodes: .16" O.C. (4mm)  
Connector: EST Series Sure-Tite



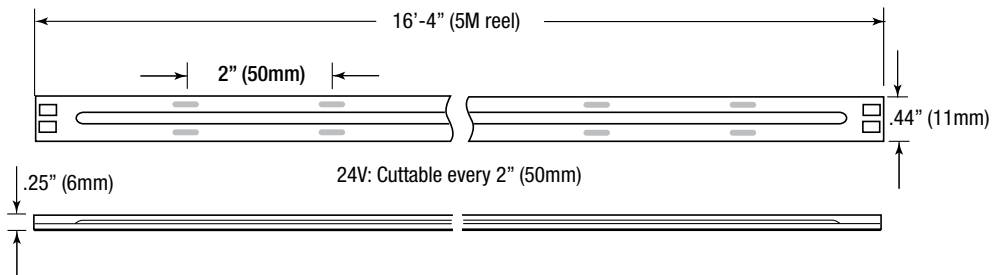
## LTR-S Spec Series COB Indoor Location

Reels: 16'-4" (5M)  
Width: .39" (10mm)  
Height: .039" (1mm)  
Diodes: Continuous phosphor strip  
Connector: EST Series Sure-Tite



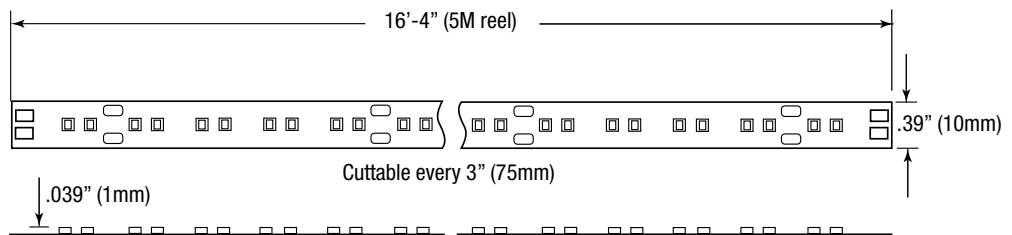
## LTR-S Spec Series COB Wet Location

Reels: 16'-4" (5M)  
Width: .44" (11mm)  
Height: .25" (6mm)  
Diodes: Continuous phosphor strip  
Connector: LTR-P-WP Series



## LTR-S Spec Series DTW Indoor Location

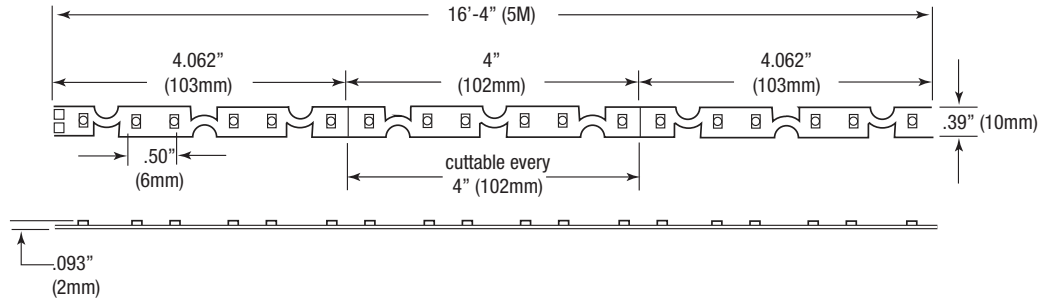
Reels: 16'-4" (5M)  
Width: .39" (10mm)  
Height: .039" (1mm)  
Diodes: Double Cluster  
Connector: EST Series Sure-Tite



# LTR-S SERIES TWIST-TASK and SIDE-VIEW TAPE DIAGRAMS

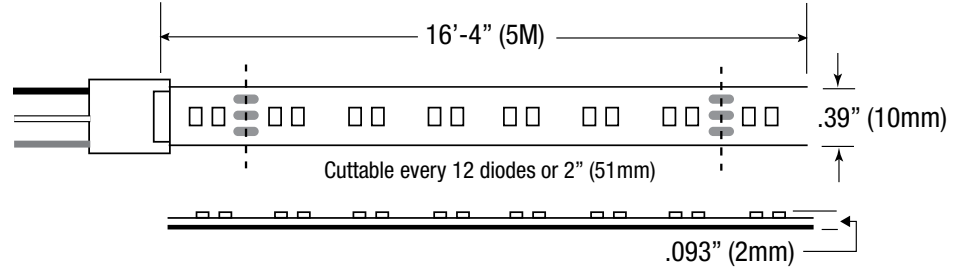
## LTR-S Spec Series Twist-Task Indoor Location

Reels: 16'-4" (5M)  
 Width: .39" (10mm)  
 Height: .093" (1mm)  
 Diodes: .50" O.C. (6mm)  
 Connector: EST Series Sure-Tite



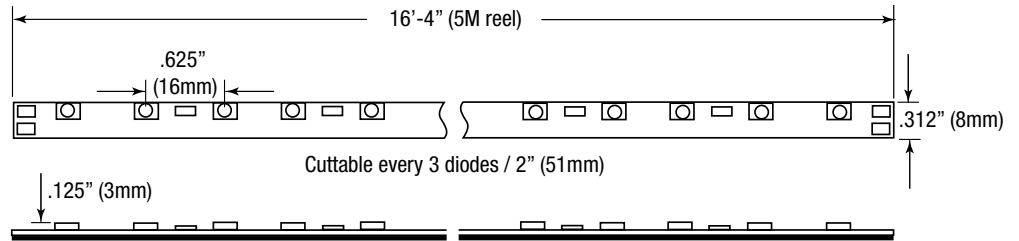
## LTR-S Spec Series Tunable White Indoor Location

Reels: 16'-4" (5M)  
 Width: .39" (10mm)  
 Height: .093" (2mm)  
 Diodes: .625" O.C. (16mm)  
 Connector: LTR-S-TUN Connectors



## LTR-S Spec Series Side-View Indoor Location

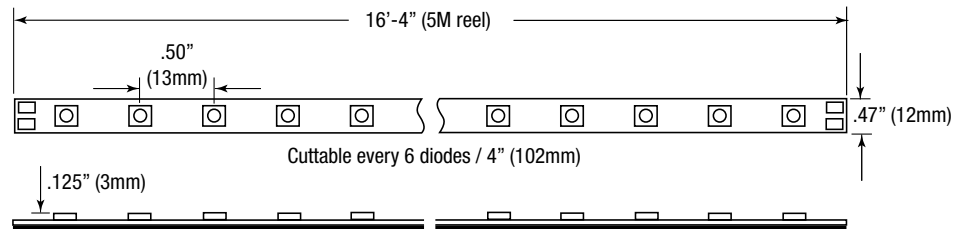
Reels: 16'-4" (5M)  
 Width: .31" (8mm)  
 Height: .125" (3mm)  
 Diodes: .625" O.C. (16mm)  
 Connector: STW Series Sure-Tite



# LTR-S SERIES RGBW TAPE DIAGRAMS

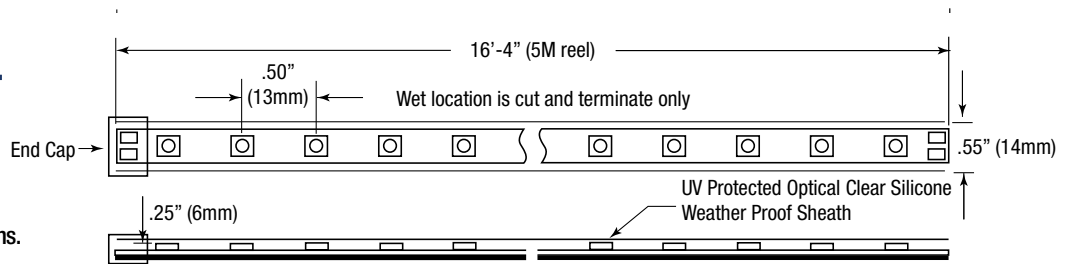
## LTR-S Spec Series RGBW Indoor Location

Reels: 16'-4" (5M)  
 Width: .47" (10mm)  
 Height: .125" (3mm)  
 Diodes: .50" O.C. (13mm)  
 Connector: RGBW EZ Series



## LTR-S Spec Series RGBW Outdoor Location

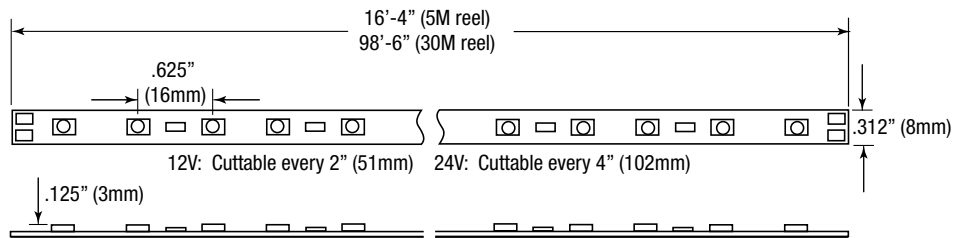
Reels: 16'-4" (5M)  
 Width: .55" (14mm)  
 Height: .25" (6mm)  
 Diodes: .50" O.C. (13mm)  
 Connector: Field cut and cap only. Custom factory configurations. Consult factory.



# LTR-E SERIES TAPE DIAGRAMS

## LTR-E Econo Series Indoor Location

Reels: 16'-4" (5M)  
 98'-6" (30M) (not colors)  
 Width: .31" (8mm)  
 Height: .125" (3mm)  
 Diodes: .625" O.C. (16mm)  
 Connector: STW Series Sure-Tite



# LIGHTING UP THE OUTDOORS

## DEFINING AN OUTDOOR DECK WITH LINEAR LIGHTING

MRTC Sales approached this amazing Seattle rooftop application by specifying GM Lighting outdoor tape.

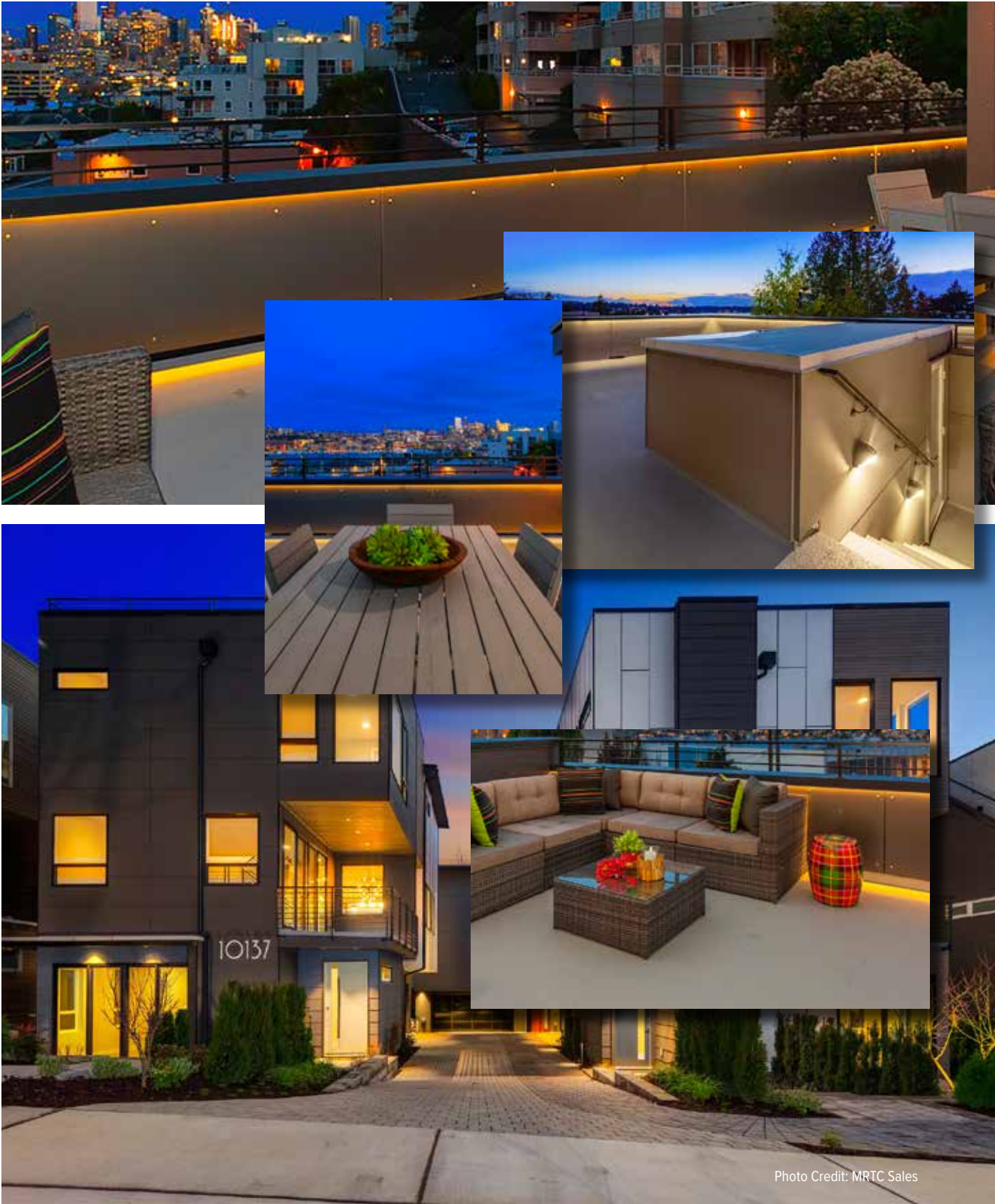


Photo Credit: MRTC Sales



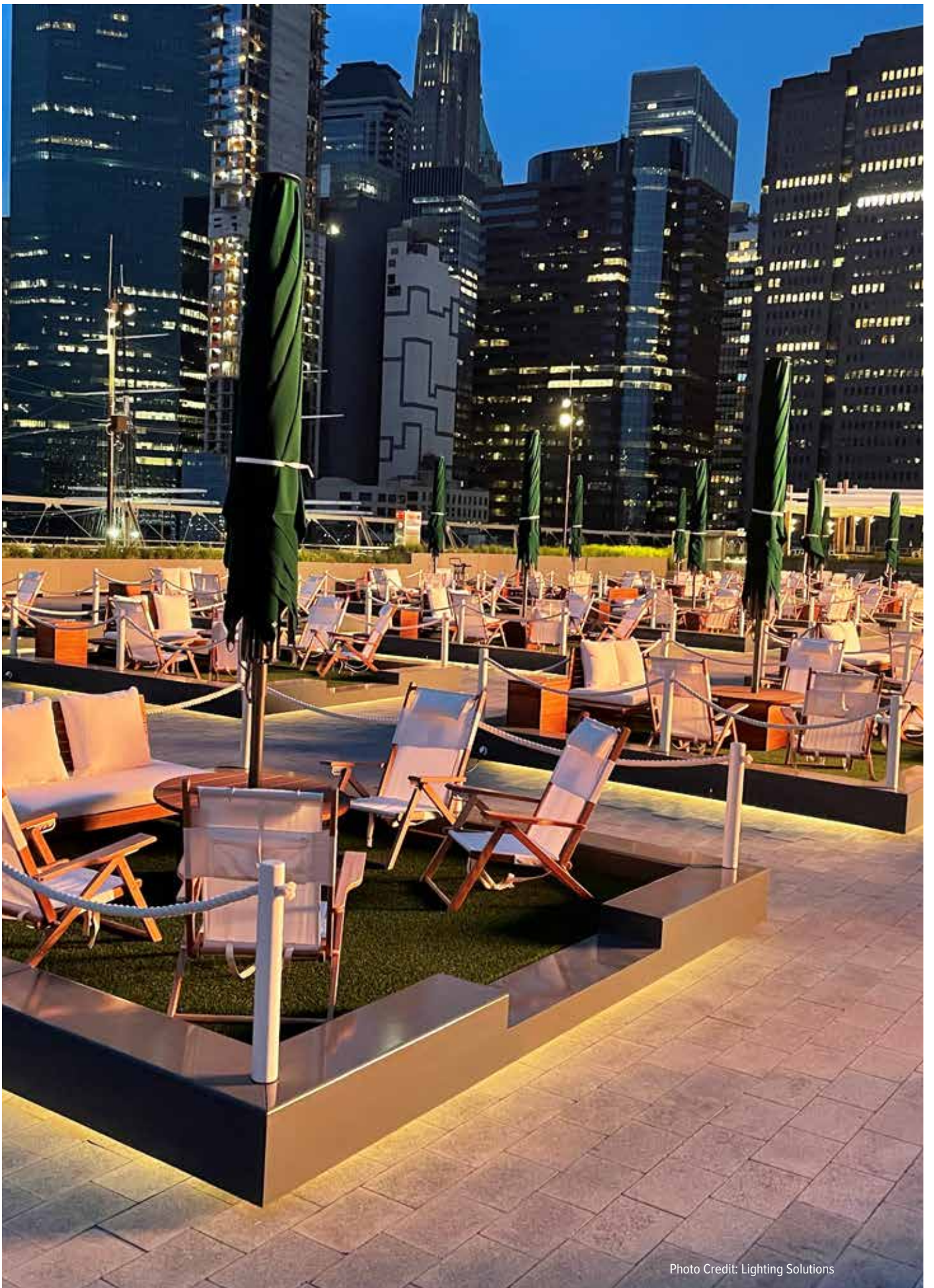


Photo Credit: Lighting Solutions

## 12VDC MAXIMUM RUN CHART

Product	See Page No.	Watts / Ft.	Reel Lengths	Maximum Single Run*
12VDC 1.5W LTR-P LED TAPE	20	1.5W	16'-4" (5M), 98'-6" (30M)	32'-8"
12VDC 3W LTR-P LED TAPE	21	3.0W	16'-4" (5M), 98'-6" (30M)	16'-4"
12VDC LTR-S SIDE VIEW LED TAPE	37	1.5W	16'-4" (5M)	32'-8"
12VDC LTR-S TWIST-TASK LED TAPE	37	2.2W	16'-4" (5M)	16'-4"
12VDC 1.5W LTR-E LED TAPE	42	1.5W	16'-4" (5M), 98'-6" (30M)	32'-8"
12VDC 1.5W LTR-E COLORS (AMBER, BLUE, GREEN, RED)	42	1.5W	16'-4" (5M)	32'-8"

\* Maximum single run defines the maximum length of tape that can be powered on a given lead. Longer runs can be achieved by using multiple power supplies.

## 24VDC MAXIMUM RUN CHART

Product	See Page No.	Watts / Ft.	Reel Lengths	Maximum Single Run*
24VDC 1.5W LTR-P LED TAPE	20	1.5W	16'-4" (5M), 98'-6" (30M)	60'
24VDC 3W LTR-P LED TAPE	21	3.0W	16'-4" (5M), 98'-6" (30M)	32'-8"
24VDC 4.5W LTR-P LED TAPE	21	4.5W	16'-4" (5M), 98'-6" (30M)	20'
24VDC 5.8W LTR-P LED TAPE	21	5.8W	16'-4" (5M), 98'-6" (30M)	16'-4"
24VDC 1.5W LTR-P WET LOCATION LED TAPE	22	1.5W	16'-4" (5M) OR 'BY THE FOOT'	60'
24VDC 3W LTR-P WET LOCATION LED TAPE	22	3.0W	16'-4" (5M) OR 'BY THE FOOT'	32'-8"
24VDC 2.5W LTR-S LED TAPE	28	2.5W	16'-4" (5M), 98'-6" (30M)	32'-8"
24VDC 5.8W LTR-S LED TAPE	28	5.8W	16'-4" (5M), 98'-6" (30M)	16'-4"
24VDC 8W LTR-S-HO LED Tape	29	8.0W	'BY THE FOOT'	12'-0"
24VDC 1.5W LTR-S COB LED TAPE	30	1.5W	16'-4" (5M)	32'-8"
24VDC 3.0W LTR-S COB LED TAPE	30	3.0W	16'-4" (5M)	16'-4"
24VDC 1.5W LTR-S COB WET LOCATION LED TAPE	32	1.5W	16'-4" (5M) OR 'BY THE FOOT'	32'-8"
24VDC 3.0W LTR-S COB WET LOCATION LED TAPE	32	3.0W	16'-4" (5M) OR 'BY THE FOOT'	16'-4"
24VDC 1.5W LTR-S TUNABLE WHITE LED TAPE	35	1.5W	16'-4" (5M)	32'-8"
24VDC 3.0W LTR-S TUNABLE WHITE LED TAPE	35	3.0W	16'-4" (5M)	32'-8"
24VDC 5.0W LTR-S TUNABLE WHITE LED TAPE	35	5.0W	16'-4" (5M)	16'-4"
24VDC 3W LTR-S DTW (DIM TO WARM) LED TAPE	36	3.0W	16'-4" (5M)	32'-8"
24VDC 3W LTR-S RGBW DRY AND WET LOCATION LED TAPE	40	3.0W	16'-4" (5M)	16'-4"
24VDC 6W LTR-S RGBW DRY LOCATION LED TAPE	40	6.0W	16'-4" (5M)	16'-4"
24VDC 1.5W LTR-E LED TAPE	42	1.5W	16'-4" (5M), 98'-6" (30M)	32'-8"

\* Max. single run defines the maximum length of tape that can be powered on a given lead. Longer runs can be achieved by using multiple power supplies.

### Access Spec Sheets

A wealth of technical docs and support content is just a click away! Our new website has what you need to insure a successful specification and installation. Visit us at [www.gmlighting.net](http://www.gmlighting.net)



VISIT WEBSITE





**FROM RESIDENTIAL  
TO COMMERCIAL  
TO HOSPITALITY...  
WE HAVE THE RIGHT  
LED SERIES FOR THE  
RIGHT APPLICATION**

GM Lighting LED Tape can be found in a wide variety of applications and environments. Whether you are illuminating a kitchen counter or a grand entryway in an iconic hotel, look to GM for the right Series for the right application.



# SURE-TITE DRY LOCATION 'CONTRACTOR PREFERRED' CONNECTORS

GM Lighting's Sure-Tite connectors insure a tight, clear electrical connection for many of our GM Lighting LTR Series tapes.

**It's like a splice box for your LED Tape!**

## ORDERING INFORMATION

Product No.	Description	For Series
ESTC-1	TAPE TO TAPE CONNECTOR	LTR-P Series (Not Wet Location)
ESTC-90	90° TAPE TO TAPE CONNECTOR	
ESTLK-60	60" TAPE TO TAPE CONNECTOR	
ESTW-60	60" TAPE TO POWER SUPPLY CONNECTOR	LTR-S Series (Not RGB or SV) For RGB, See EZ Connectors
ESTW-C0	TAPE TO POWER SUPPLY CONNECTOR ONLY (NO WIRE)	
STC-1	TAPE TO TAPE CONNECTOR	LTR-E Series LTR-S-SV (Side-View)
STC-90	90° TAPE TO TAPE CONNECTOR	
STLK-60	60" TAPE TO TAPE CONNECTOR	
STW-60	60" TAPE TO POWER CONNECTOR	
STW-C0	TAPE TO POWER SUPPLY CONNECTOR ONLY (NO WIRE)	



90° TAPE TO TAPE CONNECTOR

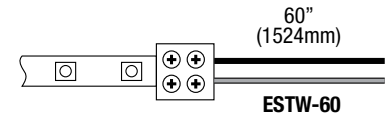
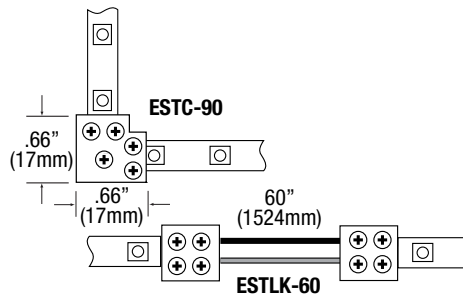
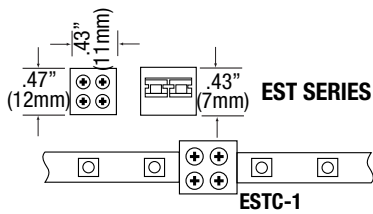
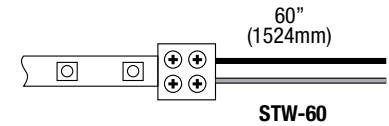
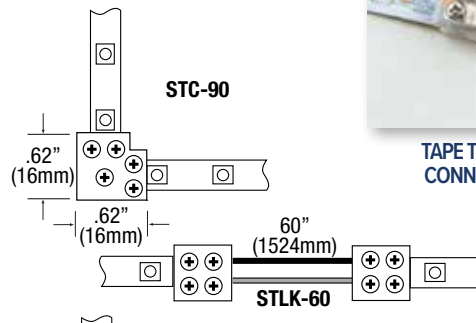
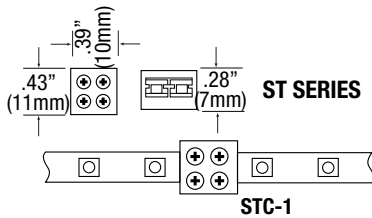


TAPE TO TAPE TAPE TO POWER



TAPE TO TAPE CONNECTOR

## SURE-TITE CONNECTOR DIAGRAMS

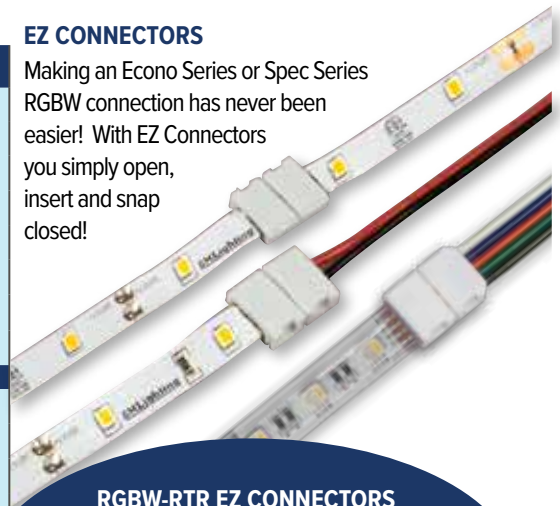


## ORDERING INFORMATION

Product No.	Description	For Series
LTC-EZ-1	EZ TAPE TO TAPE CONNECTOR	LTR-E Series Side-View
LTC-EZ-3	3" EZ TAPE TO TAPE CONNECTOR	
LTC-EZ-12	12" EZ TAPE TO TAPE CONNECTOR	
LTC-EZ-24	24" EZ TAPE TO TAPE CONNECTOR	
LTC-EZ-60	60" EZ TAPE TO TAPE CONNECTOR	
LTW-EZ-6	6" EZ TAPE TO POWER SUPPLY CONNECTOR	
LTW-EZ-24	24" EZ TAPE TO POWER SUPPLY CONNECTOR	
LTW-EZ-60	60" EZ TAPE TO POWER SUPPLY CONNECTOR	
RGBW-RTR-EZ-1	RGB EZ TAPE TO TAPE CONNECTOR	LTR-S Series RGBW (RGBW-WP is cut and cap only)
RGBW-RTR-EZ-3	3" RGB EZ TAPE TO TAPE CONNECTOR	
RGBW-RTR-EZ-12	12" RGB EZ TAPE TO TAPE CONNECTOR	
RGBW-RTR-EZ-24	24" RGB EZ TAPE TO TAPE CONNECTOR	
RGBW-RTR-EZ-36	36" RGB EZ TAPE TO TAPE CONNECTOR	
RGBW-RTR-EZ-60	60" RGB EZ TAPE TO TAPE CONNECTOR	
RGBW-RPS-EZ-60	60" RGB EZ TAPE TO CONTROLLER CONNECTOR	

## EZ CONNECTORS

Making an Econo Series or Spec Series RGBW connection has never been easier! With EZ Connectors you simply open, insert and snap closed!



**RGBW-RTR EZ CONNECTORS INSURE A PROFESSIONAL AND SECURE CONNECTION! FOR DRY LOCATION ONLY. WET LOCATION (RGBW-WP) IS CUT AND CAP ONLY OR FACTORY CONFIGURED**

# SURE-TITE WET LOCATION 'CONTRACTOR PREFERRED' CONNECTORS

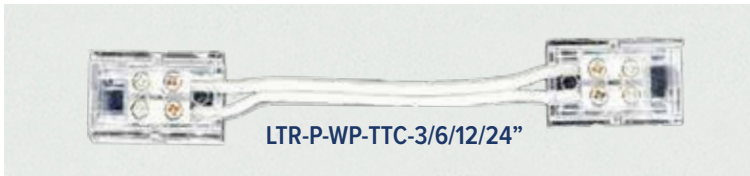
GM Lighting's Sure-Tite connectors insure a tight, clear electrical connection for many of our GM Lighting LTR Series tapes.

**It's like a splice box for your LED Tape!**

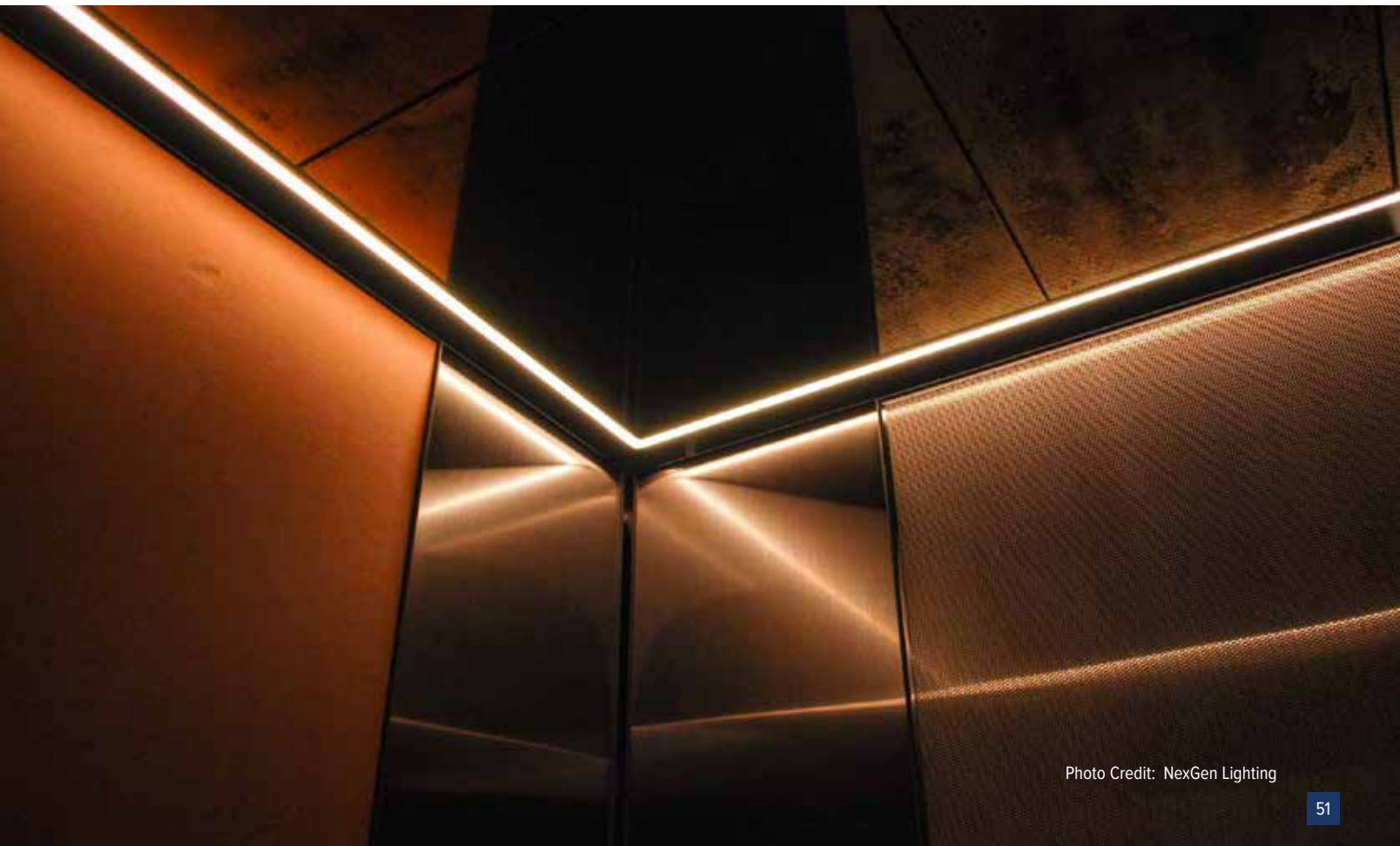
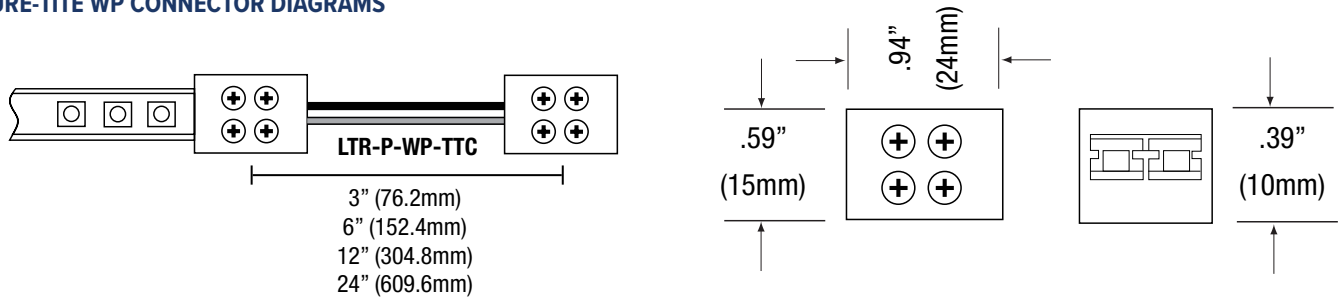
## WET LOCATION WP CONNECTORS

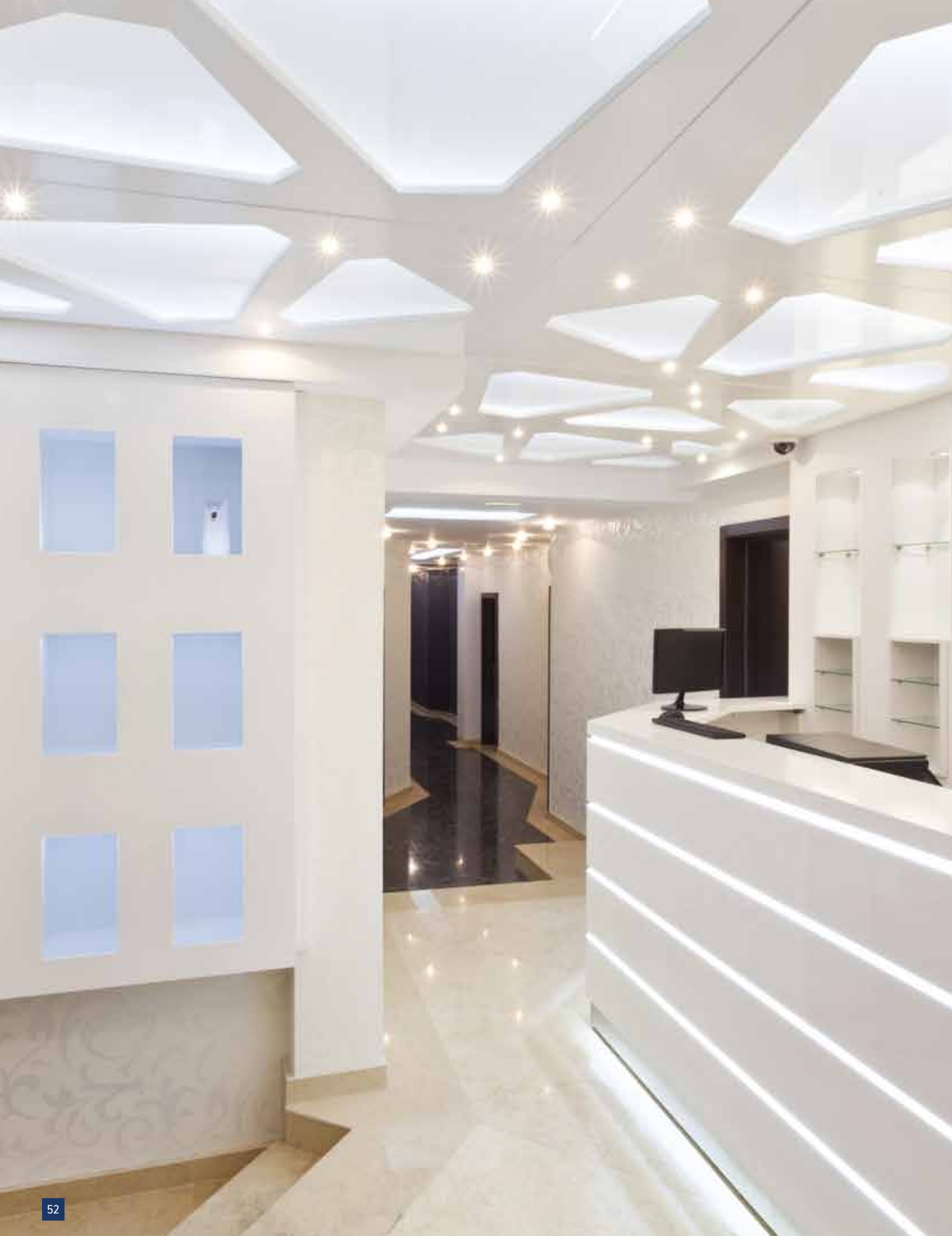
Product No.	Description	For Series
LTR-P-WP-TTC-3	3" TAPE TO TAPE CONNECTOR	LTR-P-WP LTR-S-COB-WP
LTR-P-WP-TTC-6	6" TAPE TO TAPE CONNECTOR	
LTR-P-WP-TTC-12	12" TAPE TO TAPE CONNECTOR	
LTR-P-WP-TTC-24	24" TAPE TO TAPE CONNECTOR	
LTR-P-WP-TPC-12	12FT. TAPE TO POWER SUPPLY CONNECTOR	
LTR-P-WP-EC	END CAP FOR WET LOCATION TAPE	

LTR-P-WP-TPC-12 includes end cap



## SURE-TITE WP CONNECTOR DIAGRAMS







## SPLICE BOXES AND SPLICE CONNECTORS

- Securely hold the wire connections together.
- Perfect for connecting long runs of wires.

### INDOOR SPLICE CONNECTORS

Product No.	Description
GMSB-W	UNIVERSAL 2-WIRE SPLICE BOX, WHITE
GMSB-B	UNIVERSAL 2-WIRE SPLICE BOX, BLACK

### OUTDOOR SPLICE CONNECTORS

Product No.	Description
GM-WPSC	UNIVERSAL WET LOCATION 3-WIRE SPLICE CONNECTOR
GM-WPSC-RGBW	UNIVERSAL WET LOCATION 5-WIRE RGBW SPLICE CONNECTOR



GMSB-W  
2" X 1"

SOMETIMES ALL YOU NEED  
IS THE  
RIGHT CONNECTOR!



GM-WPSC  
2.5" X .75"

## WALL RATED GM LIGHTING WIRE

- UL 2464 AWM copper stranded wire for indoor use
- SJTW rated wire for outdoor use
- PVC jacketing is molded to the internal wiring for durability and safety
- Highly flexible for easy installation
- Internal wires color coded for easy recognition during installation
- Available in 250' reel or by the foot

### INDOOR WIRES

18 GA. WIRE	
18-2-WIRE-1FT	18/2 stranded with a gray PVC jacket, color coded - per foot
18-2-WIRE-250FT	18/2 stranded with a gray PVC jacket, color coded
18-3-WIRE-1FT	18/3 stranded with a gray PVC jacket, color coded - per foot
18-3-WIRE-250FT	18/3 stranded with a gray PVC jacket, color coded
18-4-WIRE-1FT	18/4 stranded with a gray PVC jacket, color coded - per foot
18-4-WIRE-250FT	18/4 stranded with a gray PVC jacket, color coded
18-5-WIRE-1FT	18/5 stranded with a gray PVC jacket, color coded - per foot
18-5-WIRE-250FT	18/5 stranded with a gray PVC jacket, color coded

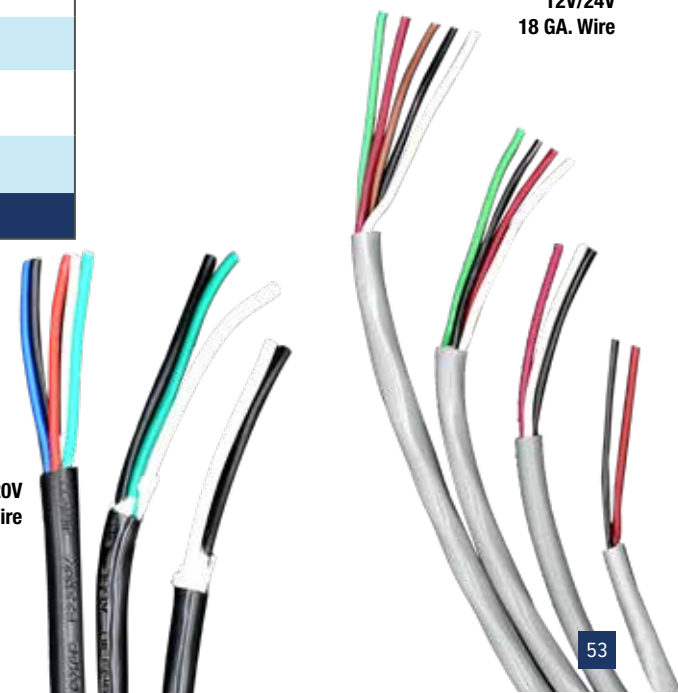
MULTICOLOR INDOOR  
AND OUTDOOR WIRES  
FOR QUICK AND EASY  
INSTALLATION

### OUTDOOR WIRES

PRODUCT NO.	DESCRIPTION
SJTW-2W	SJTW-2W wire / per ft.
SJTW-3W	SJTW-3W wire / per ft.
SJTW-5W	SJTW-5W wire / per ft.

120V  
SJTW Wire

12V/24V  
18 GA. Wire

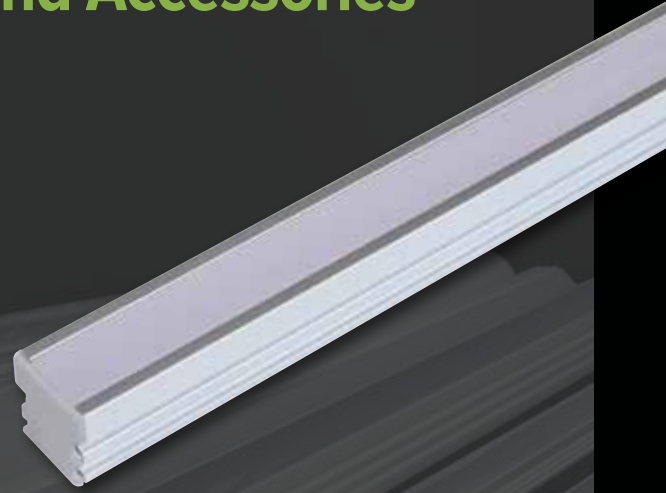
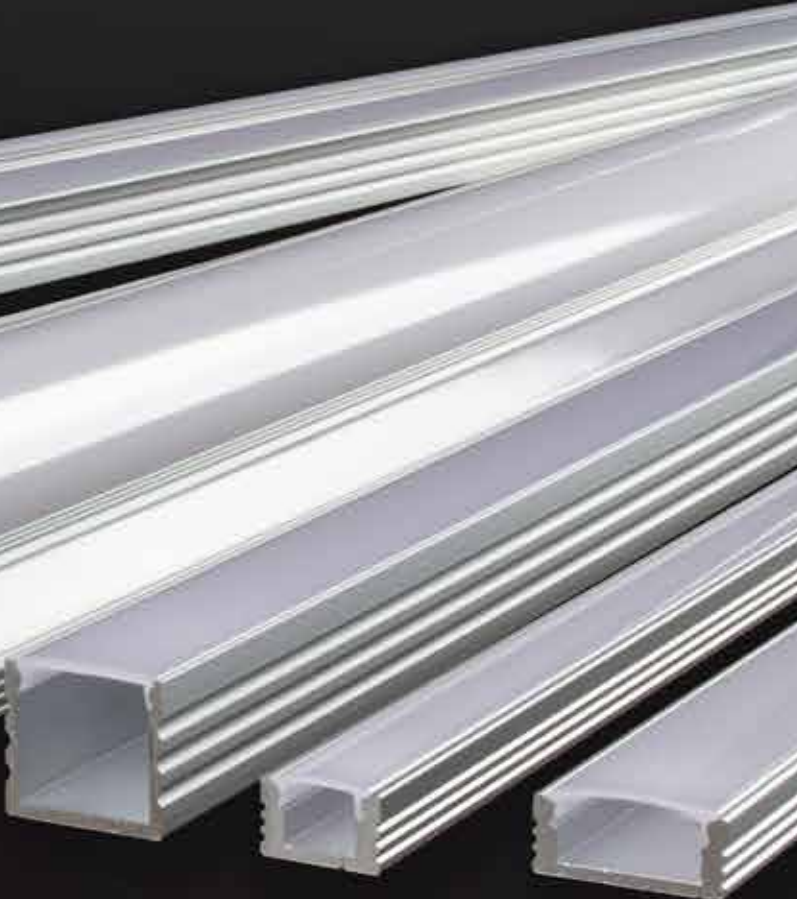




**NEW!**  
**LED-CHL-XD-MD**  
**CHANNELS IN**  
**BLACK & WHITE**

Page 58-59

# Channels, Lens and Accessories



MOUNTING CHANNELS.....	56
TAPE OVERLAY LENS .....	59

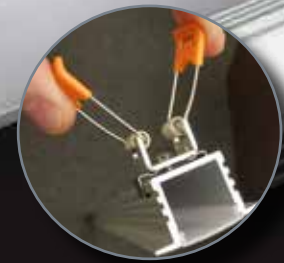


MUD-IN MOUNTING CHANNELS.....	60
TYPICAL INSTALLATION .....	62



# LED TAPE MOUNTING CHANNELS AND ACCESSORIES

There is a GM Lighting aluminum mounting channel for any LTR Series tape. Perfect for applications that require a rigid extruded channel for a permanent, professional installation. Each channel and lens can be cut in the field to the desired length needed. Check the channel product matrix on these pages for compatibility with LED tape and connectors.



**DRYWALL SPRING CLIPS AND ADJUSTABLE BRACKETS ENABLE CUSTOM INSTALLATIONS**

MOUNTING CHANNEL				LED TAPE THAT FITS CHANNEL	LED TAPE CONNECTORS	
	Catalog No.	Description	Length	Dimensions	LED Tape Series	Fits These Connectors
STANDARD STRAIGHT RUN	LED-CHL	Extruded channel. Includes snap-on frosted lens with mounting clips and screws.	4'		LTR-P Professional Series	Soldered Leads Only
	LED-CHL-8	Extruded channel. Includes snap-on frosted lens with mounting clips and screws.	8'		LTR-S Specification Series	
	LED-CHL-EC	(2) End caps for LED-CHL - one solid, one with hole	N/A		LTR-S COB (Chip On Board)	
	LED-CHL-AMC	(2) Adjustable mounting brackets for LED-CHL	N/A		LTR-S DTW (Dim to Warm)	
	LED-CHL-MC	(2) Mounting clips and screws for LED-CHL	N/A		LTR-S-TW (Twist-Task)	
45° ANGLE MOUNT	LED-CHL-45	Extruded angled (45°) channel. Includes snap-on frosted lens with mounting clips and screws.	4'		LTR-P Professional Series	SureTite ESTC SureTite STC
	LED-CHL-45-EC	(2) End caps for LED-CHL-45 - one solid, one with hole	N/A		LTR-S Specification Series	
	LED-CHL-45-MC	(2) Mounting clips and screws for LED-CHL-45	N/A		LTR-S COB (Chip On Board)	
					LTR-S DTW (Dim to Warm)	
LARGE 45° ANGLE MOUNT	LED-CHL-45-1200	Extruded angled (45°) channel. Includes snap-on frosted lens with mounting clips and screws.	4'		LTR-P Professional Series	SureTite EST WP Wet RTR-EZ SureTite ST SureTite EZ
	LED-CHL-45-1200-EC	(2) End caps for LED-CHL-45 - one solid, one with hole	N/A		LTR-S Specification Series	
	LED-CHL-45-1200-MC	(2) Additional mounting clips for LED-CHL-45-1200	N/A		LTR-S COB (Chip On Board)	
				LTR-S DTW (Dim to Warm)	LTR-P-WP Professional Series Wet Location	
				LTR-S-TW (Twist-Task)		
				LTR-S-TUN (Tunable White)		
				LTR-S-RGBW / RGBW-WP Specification Series RGBW and RGBW Wet Location	LTR-E Economy Series	
				LTR-S-SV Side View		



**CHOICE OF WIDTHS AND CONFIGURATIONS ASSURES A FIT FOR ALL GM LIGHTING TAPE**

**LED-CHL-BND ENABLES MOUNTING IN A CHANNEL THAT FOLLOWS SUBTLE CURVES**

**CUSTOM END CAPS WITH OR WITHOUT WIRE HOLES PROVIDES A FINISHED LOOK**

	MOUNTING CHANNEL				LED TAPE THAT FITS CHANNEL	LED TAPE CONNECTORS
	Catalog No.	Description	Length	Dimensions	LED Tape Series	Fits These Connectors
FLEXIBLE	LED-CHL-BND	Extruded bendable channel. Includes snap-on frosted lens with mounting clips and screws.	4'		LTR-P Professional Series	Soldered Leads Only
	LED-CHL-BND-8	Extruded bendable channel. Includes snap-on frosted lens with mounting screws.	8'		LTR-S Specification Series	
	LED-CHL-BND-EC	(2) End caps for LED-CHL-BND - one solid, one with hole.	N/A		LTR-S COB (Chip On Board)	
	LED-CHL-BND-MC	(2) Mounting clips and screws for LED-CHL-BND	N/A		LTR-S DTW (Dim to Warm)	
SLIM	LED-CHL-SLIM	Extruded slim channel. Includes snap-on frosted lens with mounting clips and screws.	4'		LTR-P Professional Series	Soldered Leads Only
	LED-CHL-SLIM-BRACKETS	(2) Mounting brackets for LED-CHL-SLIM	N/A		LTR-S Specification Series	
	LED-CHL-SLIM-EC	(2) Solid end caps for LED-CHL-SLIM	N/A		LTR-S COB (Chip On Board)	
WIDE	LED-CHL-W	Wide format extruded channel. Includes snap-on frosted lens with mounting clips and screws.	4'		LTR-S DTW (Dim to Warm)	SureTite EST RTR-EZ SureTite ST SureTite EZ
	LED-CHL-W-8	Wide format extruded channel. Includes snap-on frosted lens with mounting clips and screws.	8'		LTR-S TW (Twist-Task)	
	LED-CHL-W-AMC	(2) Adjustable mounting brackets for LED-CHL-W	N/A		LTR-S TUN (Tunable White)	
	LED-CHL-W-EC	(2) End caps for LED-CHL-W - one solid, one with hole.	N/A		LTR-P-WP Professional Series Wet Location	
	LED-CHL-W-MC	(2) Additional mounting clips for LED-CHL-W	N/A		LTR-S-RGBW / RGBW-WP Specification Series RGBW and RGBW Wet Location	
					LTR-E Economy Series	
					LTR-S-SV Side View	

# LED MOUNTING CHANNEL GUIDE Continued

In order to guarantee a successful LED tape application, these channel compatibility charts will let you know what tape and what connectors fit in each of our channels.

MOUNTING CHANNEL				LED TAPE THAT FITS CHANNEL	LED TAPE CONNECTORS	
Catalog No.	Description	Length	Dimensions	LED Tape Series	Fits These Connectors	
EXTRA DEEP	LED-CHL-XD	Extra deep format extruded channel. Includes snap-on frosted lens with mounting clips and screws.	4'		LTR-P Professional Series	SureTite EST WP Wet RTR-EZ SureTite ST SureTite EZ
	LED-CHL-XD-8	Extra deep format extruded channel. Includes snap-on frosted lens with mounting clips and screws.	8'		LTR-S Specification Series	
	LED-CHL-XD-AMC	(2) Adjustable mounting brackets for LED-CHL-XD	N/A		LTR-S COB (Chip On Board)	
	LED-CHL-XD-EC	(2) End caps for LED-CHL-XD. One solid, one with hole.	N/A		LTR-S DTW (Dim to Warm)	
	LED-CHL-XD-MC	(2) Mounting clips and screws for LED-CHL-XD	N/A		LTR-S-TW (Twist-Task)	
				LTR-S-TUN (Tunable White)		
				LTR-P-WP Professional Series Wet Location		
				LTR-S-RGBW / RGBW-WP Specification Series RGBW and RGBW Wet Location		
				LTR-E Economy Series		
				LTR-S-SV Side View		

EXTRA DEEP FLANGED	LED-CHL-XD-F	Extra deep format extruded channel with flange. Includes snap-on frosted lens with mounting clips and screws.	4'		LTR-P Professional Series	SureTite EST WP Wet RTR-EZ SureTite ST SureTite EZ
	LED-CHL-XD-F-8	Extra deep format extruded channel with flange. Includes snap-on frosted lens with mounting clips and screws.	8'		LTR-S Specification Series	
	LED-CHL-XD-F-DC	(2) Drywall mounting brackets for LED-CHL-XD-F	N/A		LTR-S COB (Chip On Board)	
	LED-CHL-XD-F-EC	(2) End caps for LED-CHL-XD-F. One solid, one with hole.	N/A		LTR-S DTW (Dim to Warm)	
				LTR-S-TW (Twist-Task)		
				LTR-S-TUN (Tunable White)		
				LTR-P-WP Professional Series Wet Location		
				LTR-S-RGBW / RGBW-WP Specification Series RGBW and RGBW Wet Location		
				LTR-E Economy Series		
				LTR-S-SV Side View		

MINI-DEEP	LED-CHL-XD-MD	Mini deep format extruded channel. Includes snap-on frosted lens with mounting clips and screws.	4'		LTR-P Professional Series	SureTite EST SureTite ST SureTite EZ
	LED-CHL-XD-MD-WH	Mini deep format extruded channel. Includes snap-on frosted lens with mounting clips and screws. White.	4'		LTR-S Specification Series	
	LED-CHL-XD-MD-B	Mini deep format extruded channel. Includes snap-on frosted lens with mounting clips and screws. Black.	4'		LTR-S COB (Chip On Board)	
	LED-CHL-XD-MD-8	Mini deep format extruded channel with flange. Includes snap-on frosted lens with mounting clips and screws.	8'		LTR-S DTW (Dim to Warm)	
	LED-CHL-XD-MD-8-WH	Mini deep format extruded channel. Includes snap-on frosted lens with mounting clips and screws. White.	8'		LTR-S-TW (Twist-Task)	
	LED-CHL-XD-MD-8-B	Mini deep format extruded channel. Includes snap-on frosted lens with mounting clips and screws. Black.	8'		LTR-S-TUN (Tunable White)	
	LED-CHL-XD-MD-AMC	(2) Adjustable mounting brackets for LED-CHL-XD-MD	N/A		LTR-P-WP Professional Series Wet Location	
	LED-CHL-XD-MD-EC	(2) End caps for LED-CHL-XD-MD. One solid, one with hole.	N/A		LTR-S-RGBW / RGBW-WP Specification Series RGBW and RGBW Wet Location	
	LED-CHL-XD-MD-MC	(2) Mounting clips for LED-CHL-XD-MD	N/A		LTR-E Economy Series	
				LTR-S-SV Side View		



# LED MOUNTING CHANNEL GUIDE Continued

MOUNTING CHANNEL			
Catalog No.	Description	Length	Dimensions
LED-CHL-XD-MD-F	Mini deep format flanged extruded channel with flange. Includes snap-on frosted lens with mounting clips and screws.	4'	
LED-CHL-XD-MD-F-WH	Mini deep format flanged extruded channel with flange. Includes snap-on frosted lens with mounting clips and screws. White.	4'	
LED-CHL-XD-MD-F-B	Mini deep format flanged extruded channel with flange. Includes snap-on frosted lens with mounting clips and screws. Black.	4'	
LED-CHL-XD-MD-F-8	Mini deep format extruded flanged channel with flange. Includes snap-on frosted lens with mounting clips and screws.	8'	
LED-CHL-XD-MD-F-8-WH	Mini deep format extruded flanged channel with flange. Includes snap-on frosted lens with mounting clips and screws. White.	8'	
LED-CHL-XD-MD-F-8-B	Mini deep format extruded flanged channel with flange. Includes snap-on frosted lens with mounting clips and screws. Black.	8'	
LED-CHL-XD-MD-F-DC	(2) Drywall mounting brackets for LED-CHL-XD-MD-F	N/A	
LED-CHL-XD-MD-F-EC	(2) End caps for LED-CHL-XD-MD-F One solid, one with hole.	N/A	

MINI-DEEP FLANGED

LED TAPE THAT FITS CHANNEL	LED TAPE CONNECTORS
LED Tape Series	Fits These Connectors
LTR-P Professional Series	SureTite EST SureTite ST SureTite EZ
LTR-S Specification Series	
LTR-S COB (Chip On Board)	
LTR-S DTW (Dim to Warm)	
LTR-S-TW (Twist-Task)	
LTR-S-TUN (Tunable White)	
LTR-P-WP Professional Series Wet Location	
LTR-S-RGBW / RGBW-WP Specification Series RGBW and RGBW Wet Location	
LTR-E Economy Series	
LTR-S-SV Side View	

## LED TAPE OVERLAY LENS

A low-profile arched clear or frosted lens that surrounds any size LEDTask Series tape. Provides an economical protective shield while eliminating diode imaging. Easy to install and cuttable in the field. Made of lightweight polycarbonate plastic.



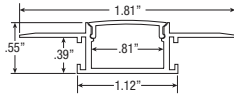
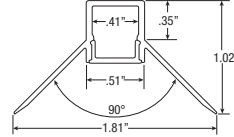
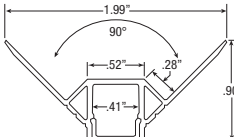
TAPE OVERLAY LENS			
Catalog No.	Description	Length	Dimensions
TOL4-CL	LED tape overlay lens. Clear polycarbonate plastic with 3M peel and stick adhesive rails. UV stable.	4'	
TOL4-FR	LED tape overlay lens. Frosted polycarbonate plastic with 3M peel and stick adhesive rails. UV stable.	4'	

LED TAPE OVERLAY LENS

LED TAPE THAT FITS CHANNEL	LED TAPE CONNECTORS
LED Tape Series	Fits These Connectors
LTR-P Professional Series	SureTite EST RTR-EZ SureTite ST SureTite EZ
LTR-S Specification Series	
LTR-S COB (Chip On Board)	
LTR-S DTW (Dim to Warm)	
LTR-S-TW (Twist-Task)	
LTR-S-TUN (Tunable White)	
LTR-P-WP Professional Series Wet Location	
LTR-S-RGBW / RGBW-WP Specification Series RGBW and RGBW Wet Location	
LTR-E Economy Series	
LTR-S-SV Side View	

# MUD-IN AND WALK-OVER LED CHANNELS

## LED TAPE MUD-IN / WALK OVER CHANNELS AND ACCESSORIES

MOUNTING CHANNEL				LED TAPE THAT FITS CHANNEL	LED TAPE CONNECTORS	
	Catalog No.	Description	Length	Dimensions		
STRAIGHT LINEAR	LED-CHL-MI-ST8	Standard extruded aluminum mud-in channel. Includes snap-on frosted lens.	8'		LTR-P Professional Series LTR-S Specification Series LTR-S COB (Chip On Board) LTR-S DTW (Dim to Warm) LTR-S-TW (Twist-Task)	SureTite EST
	LED-CHL-MI-ST-EC	(2) End caps for LED-CHL-MI-ST8 - one solid, one with hole.	N/A		LTR-P-WP Professional Series Wet Location	WP Wet
INSIDE CORNER	LED-CHL-MI-ISC8	Standard extruded aluminum mud-in inside corner channel. Includes snap-on frosted lens.	8'		LTR-P Professional Series LTR-S Specification Series LTR-S COB (Chip On Board) LTR-S DTW (Dim to Warm) LTR-S-TW (Twist-Task)	Soldered Leads Only
	LED-CHL-MI-ISC-EC	(2) End caps for LED-CHL-MI-ISC - one solid, one with hole	N/A		LTR-E Economy Series LTR-S-SV Side View	SureTite ST SureTite EZ
OUTSIDE CORNER	LED-CHL-MI-OSC8	Standard extruded aluminum mud-in outside corner channel. Includes snap-on frosted lens.	8'		LTR-P Professional Series LTR-S Specification Series LTR-S COB (Chip On Board) LTR-S DTW (Dim to Warm) LTR-S-TW (Twist-Task)	Soldered Leads Only
	LED-CHL-MI-OSC-EC	(2) End caps for LED-CHL-MI-OSC - one solid, one with hole	N/A		LTR-E Economy Series LTR-S-SV Side View	



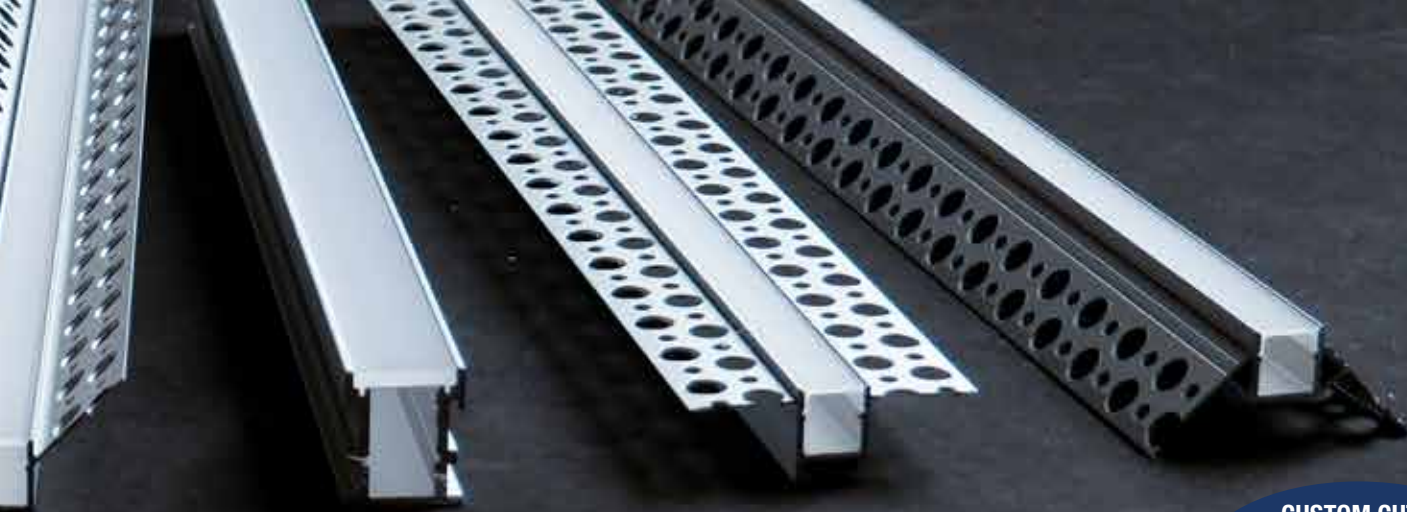
WATCH NOW

**CUSTOM CUTS  
and CONFIGURATIONS  
AVAILABLE.  
CONSULT FACTORY.**

MOUNTING CHANNEL				LED TAPE THAT FITS CHANNEL	LED TAPE CONNECTORS	
	Catalog No.	Description	Length	Dimensions		
SLIM STRAIGHT LINEAR	LED-CHL-MI-SST8	Standard extruded aluminum mud-in slim channel. Includes snap-on frosted lens.	8'		LTR-P Professional Series	Soldered Leads Only
	LED-CHL-MI-SST-EC	(2) End caps for LED-CHL-MI-SST - one solid, one with hole	N/A		LTR-S Specification Series	
WALK OVER SHALLOW	LED-CHL-WOS8	Standard extruded aluminum mud-in walk over shallow depth channel. Includes frosted lens (silicone required for installation).	8'		LTR-S COB (Chip On Board)	
	LED-CHL-WOS-EC	(2) End caps for LED-CHL-WOS - one solid, one with hole	N/A		LTR-S DTW (Dim to Warm)	
WALK OVER DEEP	LED-CHL-WOD8	Standard extruded aluminum mud-in walk over deep depth channel. Includes frosted lens (silicone required for installation).	8'		LTR-S TW (Twist-Task)	
	LED-CHL-WOD-EC	(2) End caps for LED-CHL-WOD one solid, one with hole.	N/A		LTR-E Economy Series	
				LTR-S-SV Side View		

**COVE WITH MOUNTING CHANNEL  
AND LED TAPE LENS NEXT PAGE**





## LED TAPE MUD-IN COVE CHANNELS AND ACCESSORIES

**CUSTOM CUTS  
and CONFIGURATIONS  
AVAILABLE.  
CONSULT FACTORY.**

MOUNTING CHANNEL				LED TAPE THAT FITS CHANNEL	LED TAPE CONNECTORS	
Catalog No.	Description	Length	Dimensions	LED Tape Series	Fits These Connectors	
COVE WITH MOUNTING CHANNEL	LED-CHL-MI-C8	Standard extruded aluminum mud-in channel for coves. LED-CHL-MI-CMCH8 (included, see below) With frosted lens with mounting clips and screws.	8'		LTR-P Professional Series	SureTite EST
	LED-CHL-MI-CEC	(2) End caps for LED-CHL-MI-C8 - one solid, one with hole	N/A		LTR-S Specification Series	
	LED-CHL-MI-CMCH8 (INCLUDED WITH LED-CHL-MI-C8)	Mounting channel (included) for LED-CHL-MI-C8 Cove channel.	N/A		LTR-S COB (Chip On Board)	
				LTR-S DTW (Dim to Warm)		
				LTR-S-TW Twist-Task		
				LTR-S-RGBW (Indoor location only)	RTR-EZ	
				LTR-E Economy Series	SureTite ST SureTite EZ	
				LTR-S-SV Side View		

## MUD-IN TAPE QUICK 5-STEP PROCESS



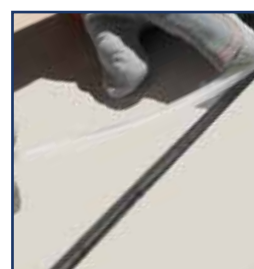
1. Lay in your mud-in channel (in this example, we are using a LED-CHI-MI-SST8). Tape the perforated mud-in collar and prepare for mudding compound.



2. Protect inside of channel with a strip of masking tape. Using mudding compound and a trowel, lay in compound and feathering it out to blend in with the wall.



3. Sand compound smooth, blending the dried compound into the wall. Remove masking tape. Lay in LED tape. Connect tape to power and check connections.



4. Gently arrange lens over channel, and working from the top down, apply pressure until lens snaps into place. Run your fingers along lens to make sure that it is securely captured by channel.



5. You did it! A seamless, professional recessed channel installation that looks clean! Well done!





**EASY TAPE TO TAPE CONNECTIONS**  
CONNECTORS, CHANNELS and POWER SUPPLIES

**GMLighting®**

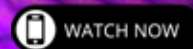








**ADVANCED ILLUMINATION  
FLEXIBLE CONFIGURATIONS  
ENDLESS CAPABILITIES FOR  
DESIGN AND CREATIVITY  
WITH LAMINA LED SHEETS**



**SEE NEXT PAGE**



# LAMINA CONFIGURABLE LED SHEET



## Lamina 12inx12in

Single Color .....	68
RGBW .....	68
Connectors .....	68



# LAMINA 24VDC FLEXIBLE LED SHEET STANDARD/HIGH OUTPUT AND RGBW



Lamina is a 24VDC flexible light sheet that can be cut in the field into geometric shapes, creating limitless illumination possibilities. Installation is easy and the operation is relatively cool. Lamina needs no heat sinks or dissipater that may mar the clean and even presentation. Lamina is connectible via integral push-in connectors. Installation is as easy as using one of two options: peel and stick or staples and screws. Conforms to curvilinear shapes like round columns.

## STANDARD & HIGH OUTPUT

- 24VDC
- 2700K, 3000K, 3500K, 4000K
- Dimming: Triac
- 90+ CRI
- Dry location
- 128 LED's per sq. foot (1 inch spacing)
- Connectible via integral push-in connectors
- Max run 5W: 20 sheets / 10W: 10 sheets
- Certification: Closet Rated, ETL
- 5 year warranty

## RGBW

- RGBW
- 11.5W/Sq. Foot
- 24VDC, 90+ CRI
- Dimmable
- 144 LEDs per sq. foot with 1" spacing
- New convenient size 12x12in = 1 Sq. Ft
- Connectible via integral push-in connectors
- Multiple control options: LUXcontrol™ Wireless or RF Remote or DMX
- 3M tape, staple or screw mounting options
- For indoor use only
- ETL, IP20, Title24

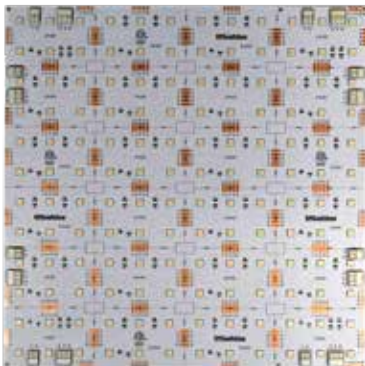
## ORDERING INFORMATION

Product No.	Output	Dimension	Lumens per ft.	CRI	Color Temp.	Wattage
S12X12-S0-27	24VDC	12" x 12"	500	90+	2700K	5W / sq. foot
S12X12-S0-30	24VDC	12" x 12"	500	90+	3000K	5W / sq. foot
S12X12-S0-35	24VDC	12" x 12"	500	90+	3500K	5W / sq. foot
S12X12-S0-40	24VDC	12" x 12"	500	90+	4000K	5W / sq. foot
S12X12-H0-27	24VDC	12" x 12"	1000	90+	2700K	10W / sq. foot
S12X12-H0-30	24VDC	12" x 12"	1000	90+	3000K	10W / sq. foot
S12X12-H0-35	24VDC	12" x 12"	1000	90+	3500K	10W / sq. foot
S12X12-H0-40	24VDC	12" x 12"	1000	90+	4000K	10W / sq. foot
S12X12-RGBW	24VDC	12" x 12"	420lm (White)	90+	RGBW	11.5W / sq. foot

## CONNECTORS

Product No.	Description
S12X12-SSC	2-PIN & 3-PIN Push-in wire connector for Standard/High Output
S12X12-RGBW-SSC	2-PIN & 3-PIN Push-in wire connector for RGBW

THE 12" x 12"  
SIZE FOR EASY  
AND CONVENIENT  
INSTALLATION



Lamina RGBW  
12" x 12"



Lamina Standard / High  
Output, 12" x 12"



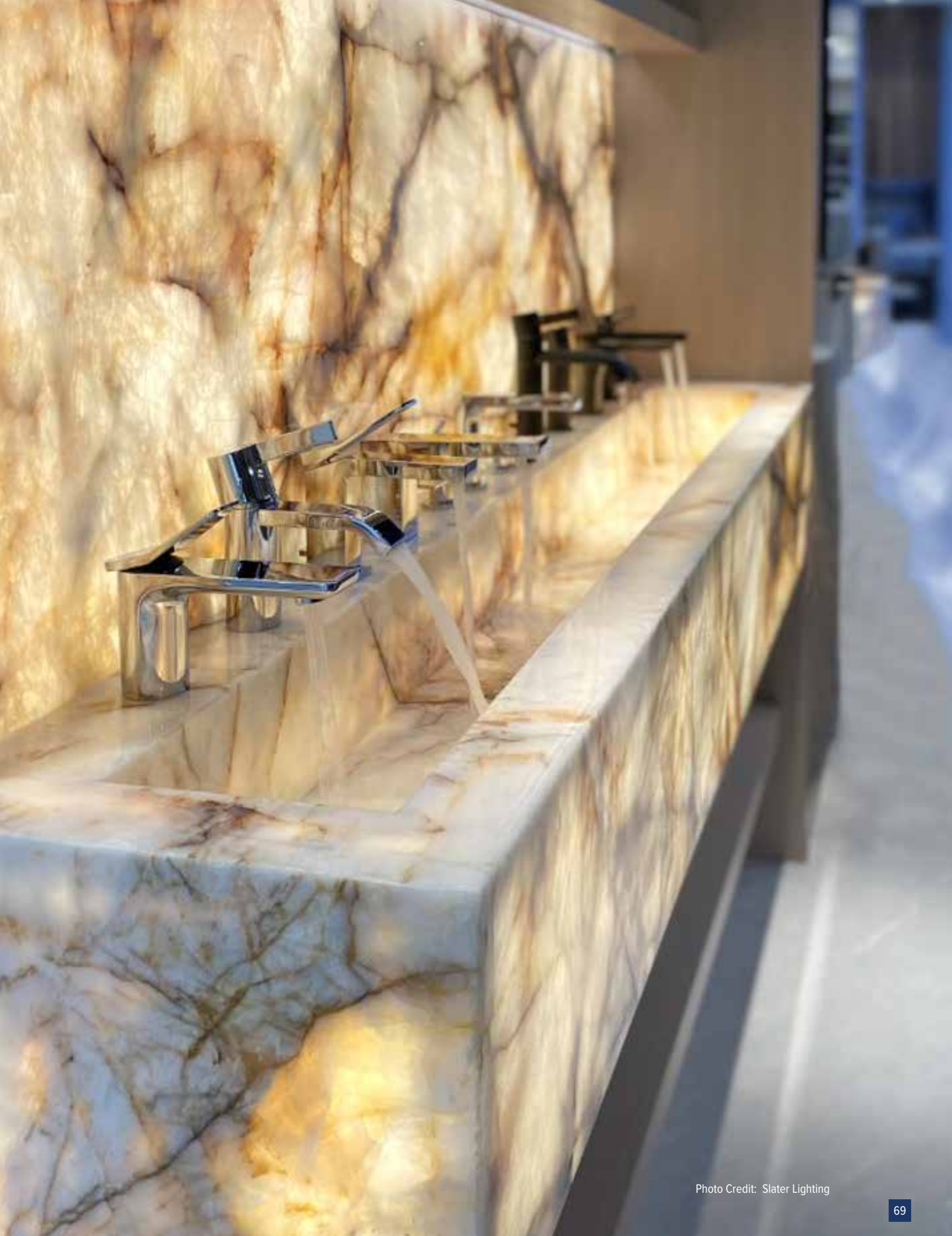


Photo Credit: Slater Lighting









# WALL GRAZING AND WALL WASHING LED OPTIC TAPE



## VorteXLED Optic Tape

Wall Grazing 30° .....	72
Wall Washing 45° .....	72
VorteXLED Connectors .....	72
VorteXLED Channels .....	72
VorteXLED Photometrics .....	73





# VorteXLED

## 24VDC Optic LED Tape

### Wall Washing and Wall Grazing



- 24 VOLT**
- JWET LOCATION
- 90+ CRI**
- FIELD CUTTABLE
- DIMMABLE**
- IP 65**
- 5 Yr. WARRANTY**
- UL US

#### PRODUCT DESCRIPTION

GM Lighting's new VortexLED series is designed for spaces where vertical illumination is needed. With a uniform light distribution, VortexLED is a perfect solution for wall washing, wall grazing and accent lighting.

Available in multiple color temperatures and two beam angles 30° (wall grazing) and asymmetrical 45° (wall washing). VortexLED tape is a high performance lighting solution for complex as well as standard applications. Perfect for high-end residential, retail, hospitality, museums and art galleries that require high quality wall washing or grazing.

#### KEY FEATURES

- 5.8W per foot
- 24VDC
- Available in 2700K, 3000K and 4000K
- 90+ CRI
- Cuttable every 6 inches
- Compatible with LUXcontrol WiFi system
- Custom lengths available - consult factory
- 30° (grazing), 45° beam angle (wall wash)
- Dimmable
- Suitable for wet locations - IP65
- 3M adhesive back
- Maximum run on a given lead is 16'
- UL listed

#### ORDERING INFORMATION

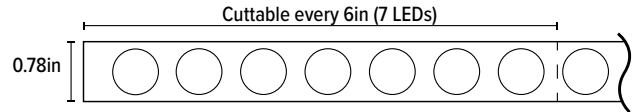
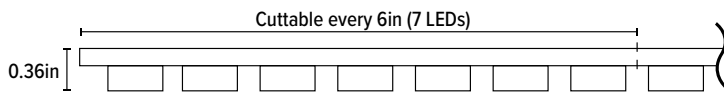
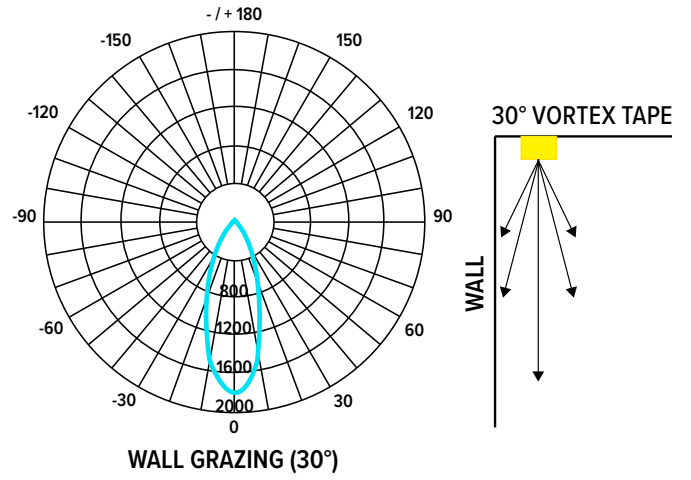
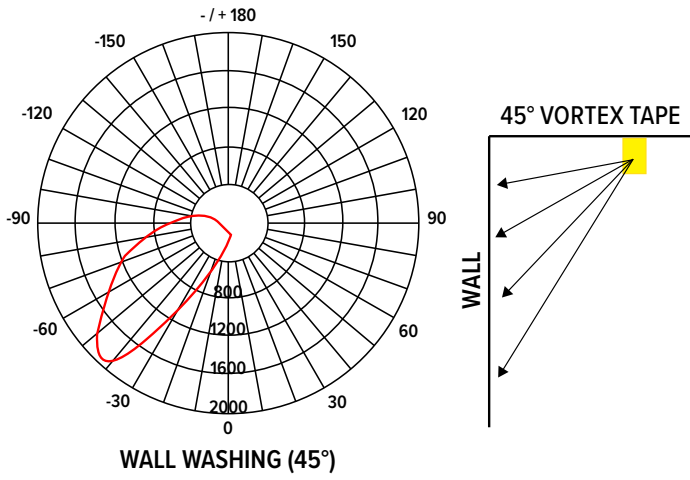
Catalog No.	Length	Wattage	Color Temp	CRI	Lumens	Max Run
VTX-A-24V-5.8W-27K-FT	45°		2700K	90+	580	
VTX-A-24V-5.8W-30K-FT	Asymmetric / Wall Wash	Per Foot	3000K	90+	610	16'
VTX-A-24V-5.8W-40K-FT			4000K	90+	640	
VTX-G-24V-5.8W-27K-FT			2700K	90+	510	
VTX-G-24V-5.8W-30K-FT	30° Wall Grazing	Per Foot	3000K	90+	540	16'
VTX-G-24V-5.8W-40K-FT			4000K	90+	570	

Each reel includes 48" leads. Operating temp.: -4° - 130°F. For ordering details, see Vortex configurator at [www.gmlighting.net](http://www.gmlighting.net)

#### ACCESSORIES

Cat. No.	Description
VTX-TTC6	6in tape to tape connector
VTX-TTC12	12in tape to tape connector
VTX-TTC24	24in tape to tape connector
VTX-EC	VortexLED tape end cap (installed on configured tape)
VTX-CHL4	VortexLED 4ft. channel
VTX-CHL8	VortexLED 8ft. channel
VTX-LENS-4	VortexLED 4ft. lens for channel
VTX-LENS-8	VortexLED 8ft. lens for channel
VTX-CHL-JC	VortexLED 8ft. channel joint couplers (set of 2 with screws)
VTX-CHL-EC	VortexLED 4ft. channel end cap (set of 2)
VTX-CHL-AMC	VortexLED 4ft. channel adjustable mounting brackets (set of 2 with screws)
VTX-PCHW8	VortexLED 8ft. power cord hard wired, standard feed (installed on configured tape)
VTX-PCHW8-AF	VortexLED 8ft. power cord hard wired, alternate feed (installed on configured tape)

# PHOTOMETRICS






NeoVision24™







# 24VDC NeoVision24™ LED Neon Tape

## SIDEFLEX (BENDS HORIZONTALLY)

3000K, 4000K.....	76
AMBER, BLUE, GREEN, RED .....	76
RGBW COLOR CHANGING .....	80

## TOPFLEX (BENDS VERTICALLY)

3000K, 4000K.....	78
AMBER, BLUE, GREEN, RED .....	78
RGBW COLOR CHANGING .....	80

## CONNECTORS, CHANNELS AND ACCESSORIES.....

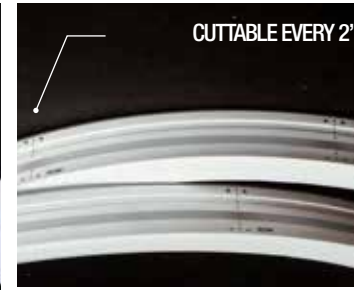
82
----



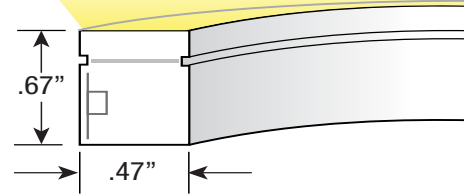


# 24VDC NeoVision24 Neon SideFlex Tape

- 24 VOLT**
- WET LOCATION**
- 90+ CRI**
- FIELD CUTTABLE**
- DIMMABLE**
- IP 65**
- 5 Yr. WARRANTY**
- UL C US**



**SIDEFLEX CUTAWAY DIAGRAM (Horizontal Bend)**



## PRODUCT DESCRIPTION

The unmistakable classic look of Neon is now available in a 24 volt flexible, field cuttable and joinable tape that enables a high light transmission linear display that conforms to sweeping horizontal architectural curves.

NeoVision24 beautifully retains the purity and rich, saturated colors that is characteristic of neon.

NOTE: When cutting a reel into smaller runs, each section requires (1) power feed connector and (1) endcap connector. Custom lengths, configurations and alternate color temps available. Consult factory.

## KEY FEATURES

- 24VDC operation
- Wet location - IP65
- Multiple power feed options
- Tape encased in UV stable silicone (UV protected)
- Dimmable
- 3000K or 4000K / Blue, Red, Green or Amber
- 120° viewing angle
- Maximum run: 32'-8"
- Field cuttable and joinable in 2 inch increments while retaining IP65 - no tools required
- Mounting clips included (recommended use 1 per foot)
- 5 year warranty when used with a GM power supply

## ORDERING INFORMATION

Catalog No.	Length	Wattage	Lumens per Foot	Color Temp	CRI
NV24S-3W-30K-16	16'-4"	3W / FT.	90	3000K	90+
NV24S-3W-30K-32	32'-8"	3W / FT.	90	3000K	90+
NV24S-3W-40K-16	16'-4"	3W / FT.	98	4000K	90+
NV24S-3W-40K-32	32'-8"	3W / FT.	98	4000K	90+
NV24S-3W-AM-16	16'-4"	3W / FT.	N/A	Amber	N/A
NV24S-3W-AM-32	32'-8"	3W / FT.	N/A	Amber	N/A
NV24S-3W-BL-16	16'-4"	3W / FT.	N/A	Blue	N/A
NV24S-3W-BL-32	32'-8"	3W / FT.	N/A	Blue	N/A
NV24S-3W-GR-16	16'-4"	3W / FT.	N/A	Green	N/A
NV24S-3W-GR-32	32'-8"	3W / FT.	N/A	Green	N/A
NV24S-3W-RD-16	16'-4"	3W / FT.	N/A	Red	N/A
NV24S-3W-RD-32	32'-8"	3W / FT.	N/A	Red	N/A

Every reel includes (1) NV24S-PF-EF (tape to power feed with 48" of lead.). 16' reel includes (16) NV24S-MC-A mounting clips and screws. 32' reel comes with (32) NV24S-MC-A mounting clips and screws. Operating temp.: -4° - 130°F.

## Complete Your Installation

NeoVision24 Connectors and Accessories .....	82
Power Supplies (sections begin on page).....	193
Wet Location Wire Splice Connector.....	53

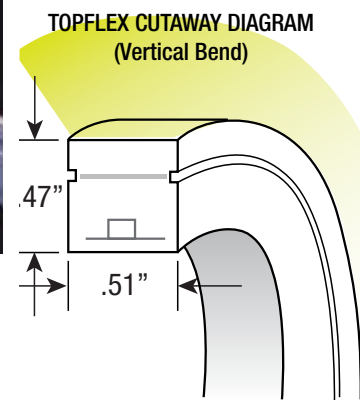






# 24VDC NeoVision24 Neon TopFlex Tape

- 24  
VOLT
- JWET  
LOCATION
- 90+  
CRI
- FIELD  
CUTTABLE
- DIMMABLE
- IP  
65
- 5 Yr.  
WARRANTY
- UL  
C US



## PRODUCT DESCRIPTION

The unmistakable classic look of Neon is now available in a 24 volt flexible, field cuttable and joinable tape that enables a high light transmission linear display that conforms to vertical curves and architectural curvilinear details. NeoVision24 beautifully retains the purity and rich, saturated colors that is characteristic of neon.

NOTE: When cutting a reel into smaller runs, each section requires (1) power feed connector and (1) endcap connector. Custom lengths, configurations and alternate color temps available. Consult factory.

## KEY FEATURES

- 24VDC operation
- Wet location - IP65
- Multiple power feed options
- Tape encased in UV stable silicone (UV protected)
- Dimmable
- 3000K or 4000K / Blue, Red, Green or Amber
- 120° viewing angle
- Maximum run: 32'-8"
- Field cuttable and joinable in 2 inch increments while retaining IP65 - no tools required
- Mounting clips included (recommended use 1 per foot)
- 5 year warranty when used with a GM power supply

## ORDERING INFORMATION

Catalog No.	Length	Wattage	Lumens per Foot	Color Temp	CRI
NV24T-3W-30K-16	16'-4"	3W / FT.	146	3000K	90+
NV24T-3W-30K-32	32'-8"	3W / FT.	146	3000K	90+
NV24T-3W-40K-16	16'-4"	3W / FT.	149	4000K	90+
NV24T-3W-40K-32	32'-8"	3W / FT.	149	4000K	90+
NV24T-3W-AM-16	16'-4"	3W / FT.	N/A	Amber	N/A
NV24T-3W-AM-32	32'-8"	3W / FT.	N/A	Amber	N/A
NV24T-3W-BL-16	16'-4"	3W / FT.	N/A	Blue	N/A
NV24T-3W-BL-32	32'-8"	3W / FT.	N/A	Blue	N/A
NV24T-3W-GR-16	16'-4"	3W / FT.	N/A	Green	N/A
NV24T-3W-GR-32	32'-8"	3W / FT.	N/A	Green	N/A
NV24T-3W-RD-16	16'-4"	3W / FT.	N/A	Red	N/A
NV24T-3W-RD-32	32'-8"	3W / FT.	N/A	Red	N/A

Every reel includes (1) NV24T-PF-EF (tape to power feed with 48" of lead.). 16' reel includes (16) NV24T-MC-A mounting clips and screws. 32' reel comes with (32) NV24T-MC-A mounting clips and screws. Operating temp.: -4° - 130°F.

## Complete Your Installation

NeoVision24 Connectors and Accessories .....	82
Power Supplies (sections begin on page).....	193
Wet Location Wire Splice Connector.....	53





# 24VDC NeoVision24 Neon Flexible SideFlex or TopFlex RGBW



- 24  
VOLT**
- JWET  
LOCATION**
- 90+  
CRI**
- FIELD  
CUTTABLE**
- RGBW**
- IP  
65**
- 5 Yr.  
WARRANTY**
- UL  
US**



## PRODUCT DESCRIPTION

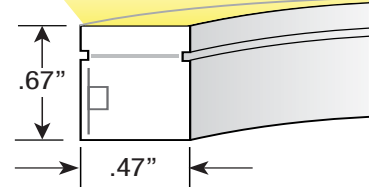
RGBW has never been richer with more saturated colorful hues than with 24 volt flexible RGBW neon tape that enables a dramatic color changing linear display from the top or side, conforming to sweeping architectural curves. Perfect for hospitality, clubs, themed environments - or anywhere that color drives forward your lighting scheme, NeoVision24 RGBW is a controllable color lighting solution.

NOTE: Use with 24VDC non-dimming power supply only (see page 183, 194). Custom lengths and configurations available. Consult factory.

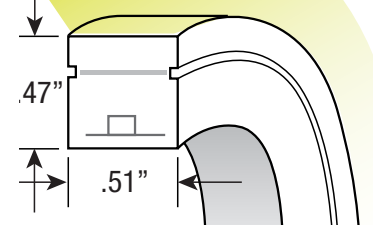
## KEY FEATURES

- 24VDC operation
- Wet location - IP65
- Multiple power feed options
- Tape encased in UV stable silicone (UV protected)
- Dimmable via handheld remote
- Controllable RGBW (use with controller on next page)
- 120° viewing angle
- Maximum run: 16'-4"
- Cuttable in 2.5 inch (64mm)
- Cut and cap only
- Mounting clips included (recommended use 1 per foot)
- 5 year warranty when used with a GM power supply

**SIDEFLEX  
NV24S-4W-RGBW-16  
CUTAWAY DIAGRAM**



**TOPFLEX  
NV24T-4W-RGBW-16  
CUTAWAY DIAGRAM**



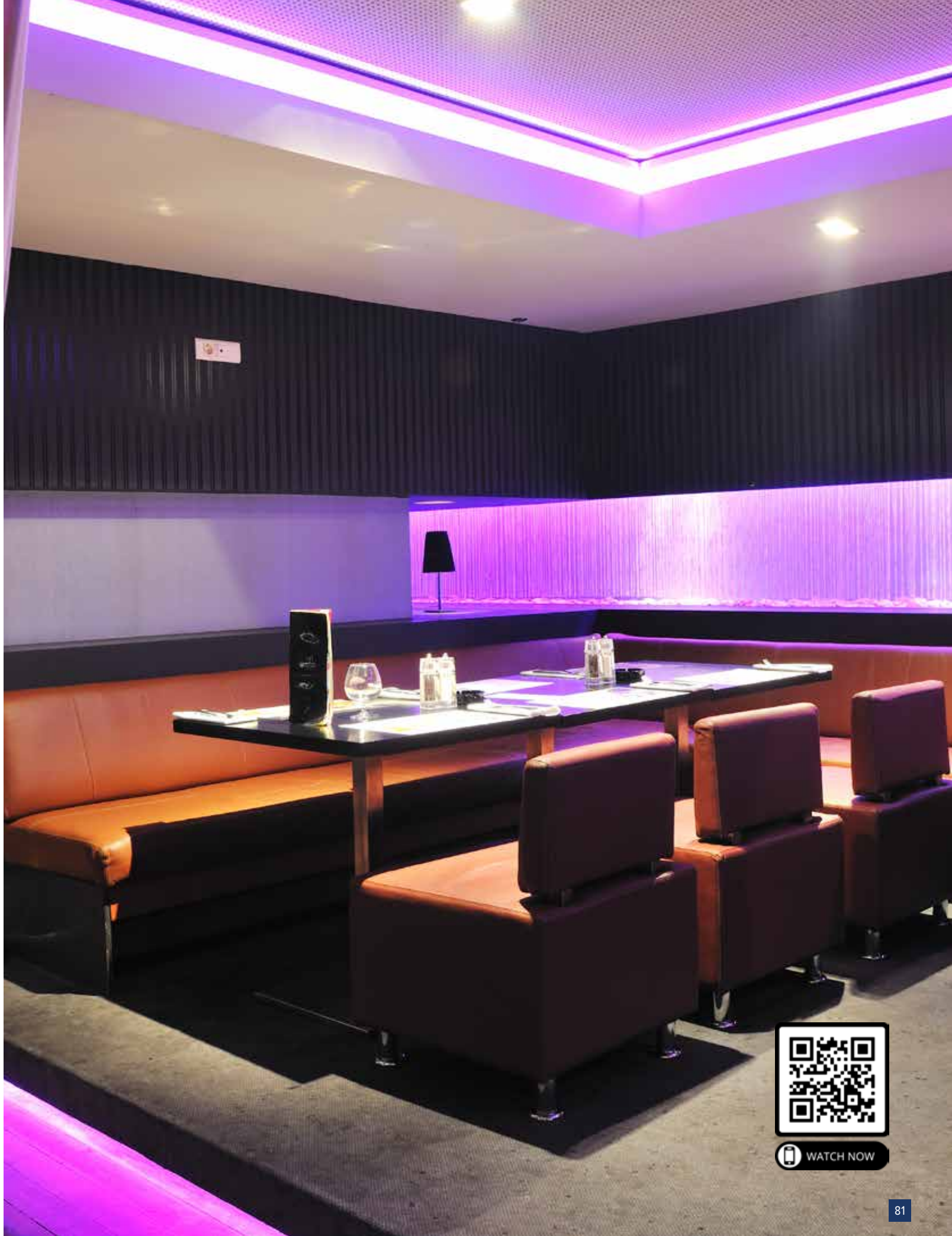
## ORDERING INFORMATION

Catalog No.	Length	Wattage	Color Temp (White)	CRI
NV24S-4W-RGBW-16	16'-4"	4.3W / FT.	3500K	90+
NV24T-4W-RGBW-16	16'-4"	4.3W / FT.	3500K	90+

16ft. reel includes 48" leads on each end. 16' reel includes (16) NV24T-MC-A mounting clips and screws. 32' reel includes (32) NV24T-MC-A mounting clips and screws. Operating temp.: -4° - 130°F.

## Complete Your Installation

NeoVision24 RGBW Controllers and Accessories .....	82
Electronic Non-Dimmable Power Supplies .....	196

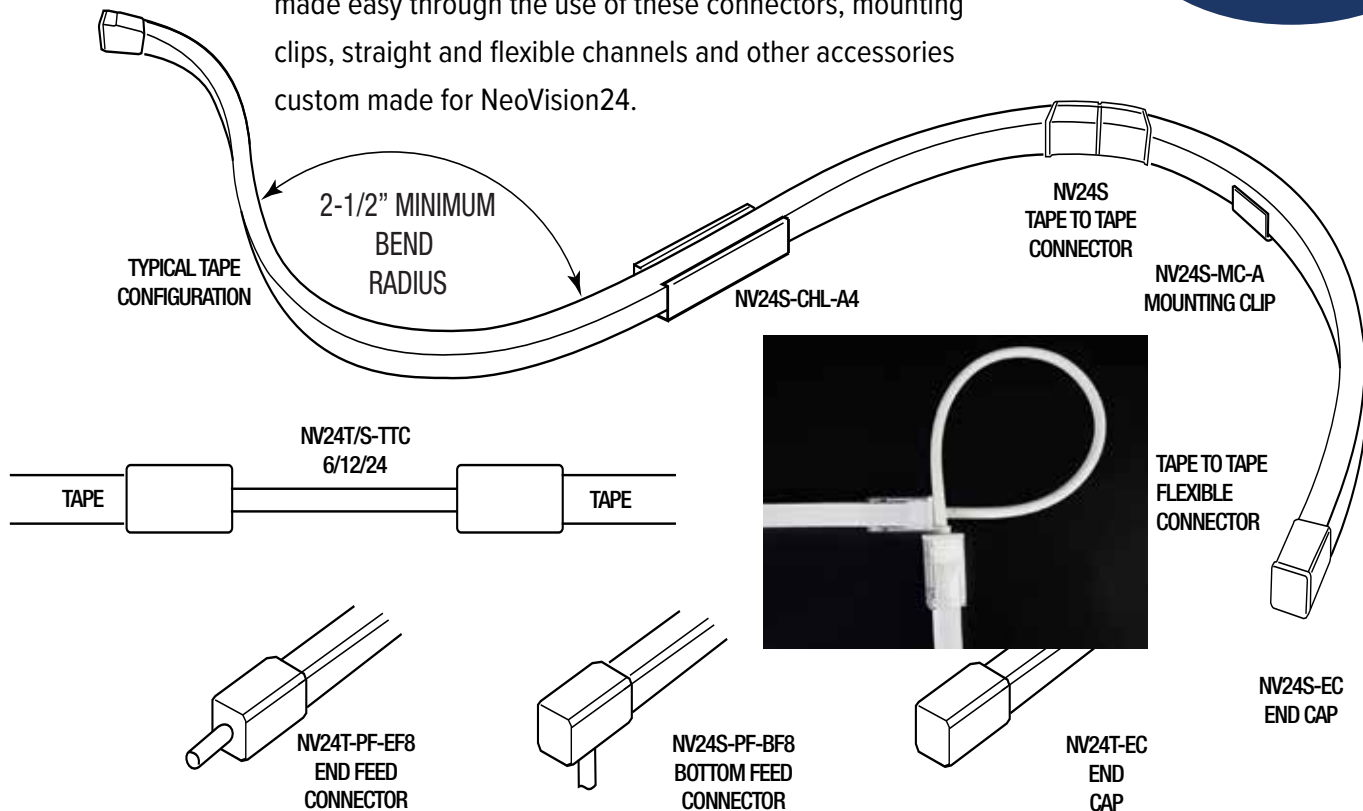


WATCH NOW

# 24VDC NeoVision24 Neon Flexible SideFlex or TopFlex Connectors and Mounting Accessories

**IN THE FIELD  
NO TOOL REQUIRED  
IP65 CONNECTORS**

Configuring, connecting and mounting a NeoVision24 run is made easy through the use of these connectors, mounting clips, straight and flexible channels and other accessories custom made for NeoVision24.



## NV24S - SIDEFLEX ACCESSORY ORDERING

Cat. No.	Description
NV24S-PF-EF8	Tape to Power Flexible End Connector - 8 ft. length
NV24S-PF-BF8	Tape to Power Flexible Bottom Connector - 8 ft.
NV24S-SP	Tape to Tape Connector (splice)
NV24S-CHL-A4	Aluminum Channel - 4 ft. length
NV24S-CHL-A8	Aluminum Channel - 8 ft. length
NV24S-MC-A	Aluminum Mounting Clip (set of 20)
NV24S-TTC6	Tape to Tape 6" Flexible Connector
NV24S-TTC12	Tape to Tape 12" Flexible Connector
NV24S-TTC24	Tape to Tape 24" Flexible Connector
NV24S-FLEX-CHL	Flexible Mounting Channel - 39.5"
NV24S-EC	End Cap

### SIDEFLEX ACCESSORY NOTES:

The above connectors, channels, mounting clips and caps are for the exclusive use of NeoVision24 SideFlex Neon Tape. See accessory images on next page.

## NV24T - TOPFLEX ACCESSORY ORDERING

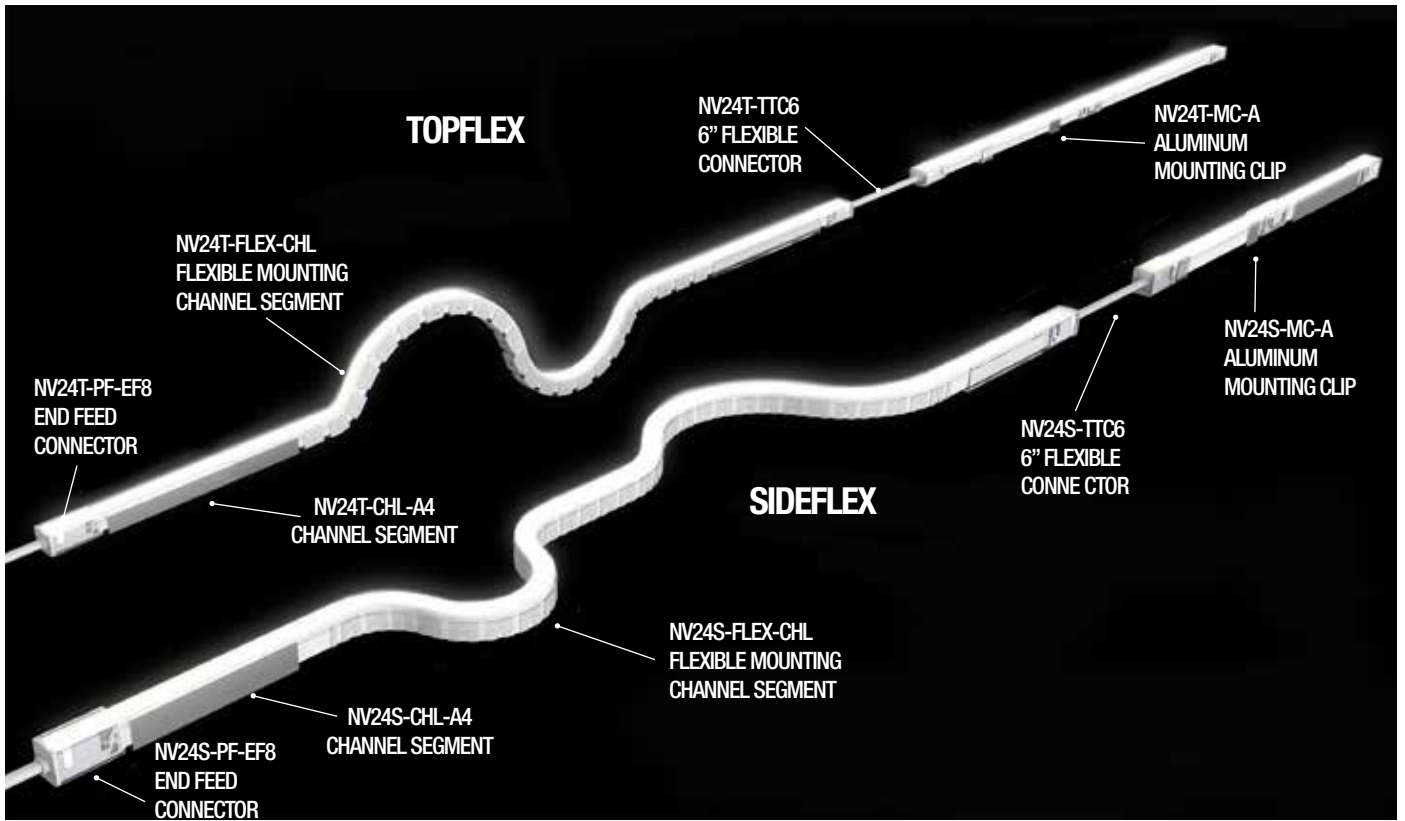
Cat. No.	Description
NV24T-PF-EF8	Tape to Power Flexible End Connector - 8 ft. length
NV24T-PF-BF8	Tape to Power Flexible Bottom Connector - 8 ft.
NV24T-SP	Tape to Tape Connector (splice)
NV24T-CHL-A4	Aluminum Channel - 4 ft. length
NV24T-CHL-A8	Aluminum Channel - 8 ft. length
NV24T-MC-A	Aluminum Mounting Clip (set of 20)
NV24T-TTC6	Tape to Tape 6" Flexible Connector
NV24T-TTC12	Tape to Tape 12" Flexible Connector
NV24T-TTC24	Tape to Tape 24" Flexible Connector
NV24T-FLEX-CHL	Flexible Mounting Channel - 39.5"
NV24T-EC	End Cap

### TOPFLEX ACCESSORY NOTES:

The above connectors, channels, mounting clips and caps are for the exclusive use of NeoVision24 TopFlex Neon Tape. See accessory images on next page.



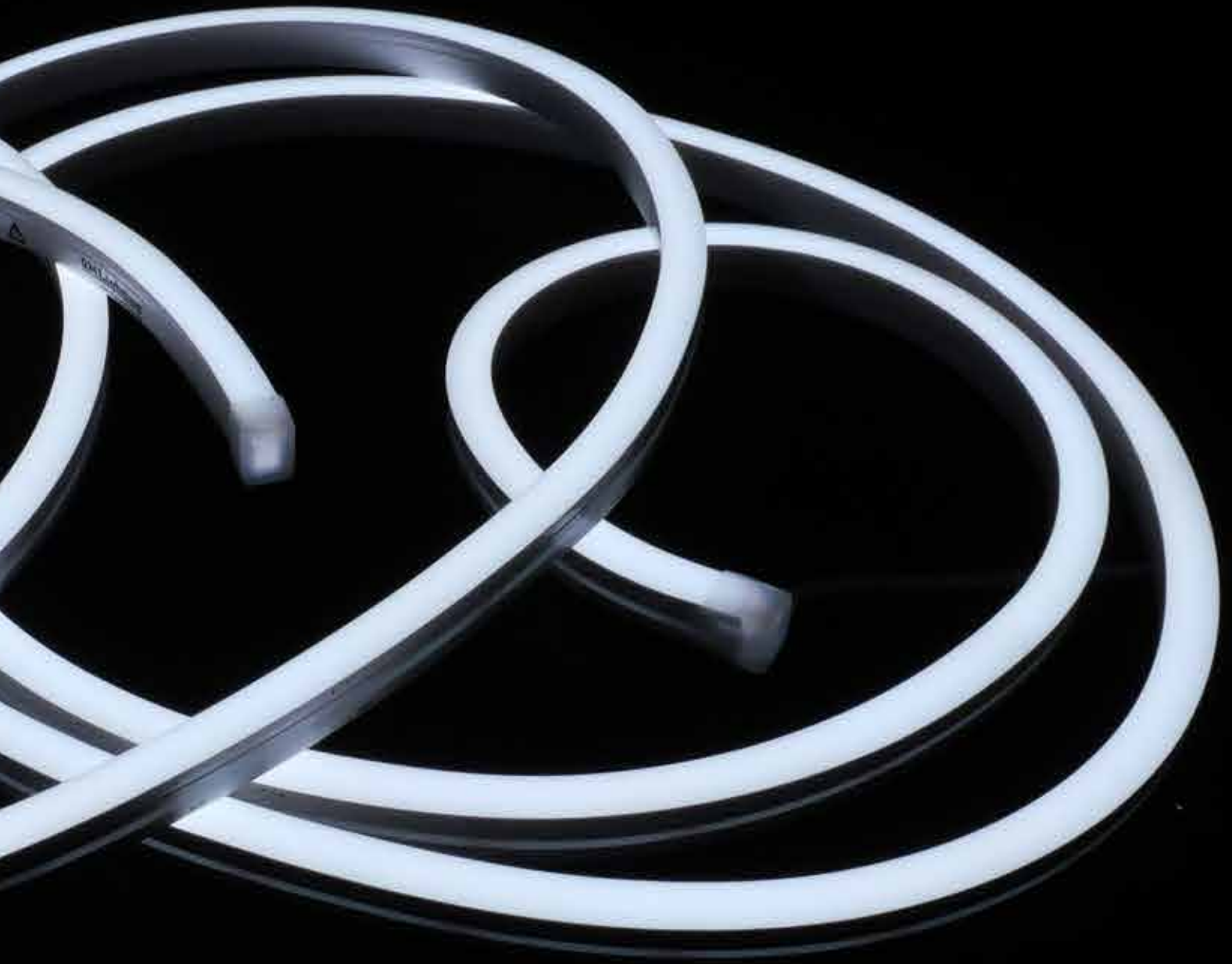
# 24VDC NeoVision24 Typical Run



**Neon.** The name conjures up images of exotic lighting and pulsating colors. Turn to page 74 and witness NeoVision24.

**GMLighting®**







An example of how lighting defines an interior - whether it is indoors or outdoors, Vision120 fits the bill.

**GMLighting®**





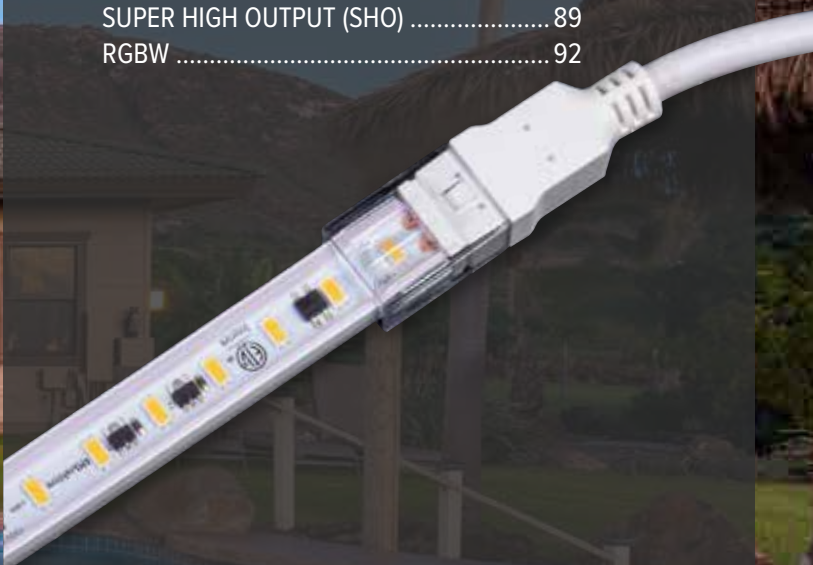


# 120V Vision120™ LED Tape



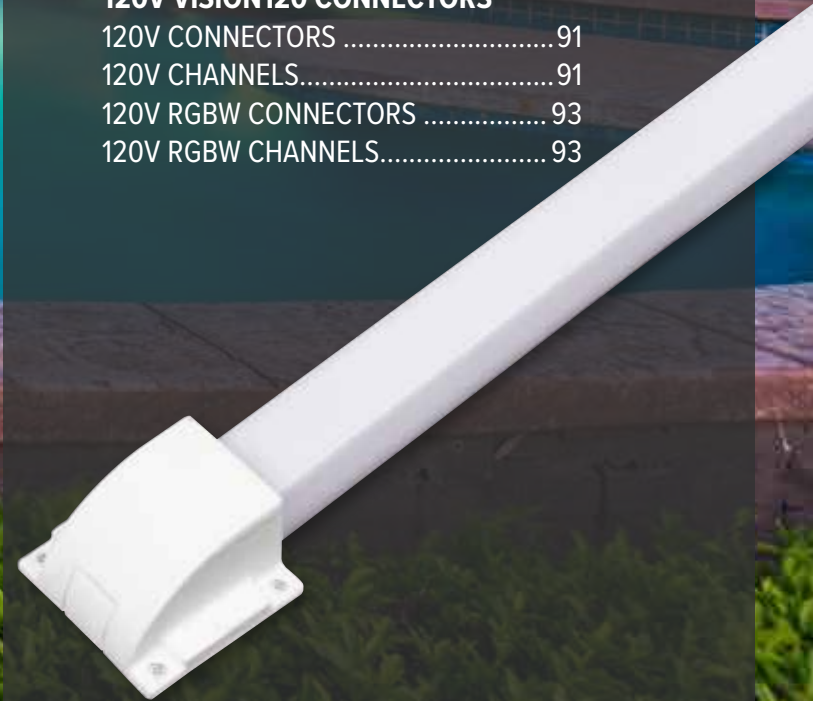
## 120V VISION120

STANDARD OUTPUT (SO) .....	89
AMBER, BLUE, GREEN, RED .....	89
HIGH OUTPUT (HO) .....	89
SUPER HIGH OUTPUT (SHO) .....	89
RGBW .....	92



## 120V VISION120 CONNECTORS

120V CONNECTORS .....	91
120V CHANNELS.....	91
120V RGBW CONNECTORS .....	93
120V RGBW CHANNELS.....	93



# 120V Vision120 WET LOCATION LED TAPE



- 120 VOLT
- WET LOCATION
- 90+ CRI
- NOT FIELD CUTTABLE
- DIM
- IP 65
- 5 Yr WARRANTY
- ETL Intertek



## PRODUCT DESCRIPTION

It's always been our vision to provide the simplest solution for long runs of 120V linear LED lighting. Vision120 is a factory cut to your specifications, wet location flexible LED tape that comes available in standard, high or super high output, in a variety of colors and color temperatures. Perfect for architectural coves, indoor or exterior recesses, steps, banisters, light edging or other constructs where even, energy efficient LED illumination is specified.

NOTE: Factory cut to your specification. Not field cuttable.

## KEY FEATURES

- 120V operation (no power supply required)
- Wet location - IP65 • 90+ CRI
- Operating temp.: -4°F - 107°F
- Power feed options
- Tape encased in water resistant clear poly flexible sheath (UV protected)
- Dimmable with ELV (Triac)
- 2700K, 3000K or 4000K
- Blue, Red, Green or Amber (standard output only)
- 120° viewing angle
- Standard, High and Super High output: Available in 4 inch increments
- Super high output: Available in 4 inch increments
- Maximum run: 163' (standard output)
- Maximum run: 149' (high output)
- Maximum run: 59' (super high output)
- Uses mounting clips (1 per foot), PVC channels or aluminum channels (frosted lenses available)
- 5 year warranty

### WET LOCATION

Can be exposed to elements but not immersed in water.

### LONG RUNS

59' for super high output, 149' for high output and 163' for standard output.

### ACCENT LIGHTING

Use with optional mounting channel to enhance and accent.

### INTERIOR LIGHTING

Perfect for coves, undercabinet, toe kick and hallways.





# SPECIFYING Vision120

Standard Output (Do not exceed max. run of 163') - Cut in 4 inch increments

1. Select Color Temp. or Color

Catalog No.	Output	Length	LED Wattage	Lumens per Foot	Color Temp	CRI
V120-S0-27-XXX	Standard	Custom to 163'	2W / FT.	140	2700K	90+
V120-S0-30-XXX	Standard	Custom to 163'	2W / FT.	150	3000K	90+
V120-S0-40-XXX	Standard	Custom to 163'	2W / FT.	160	4000K	90+
V120-S0-RD-XXX	Standard	Custom to 163'	2W / FT.	N/A	Red	N/A
V120-S0-BL-XXX	Standard	Custom to 163'	2W / FT.	N/A	Blue	N/A
V120-S0-GR-XXX	Standard	Custom to 163'	2W / FT.	N/A	Green	N/A
V120-S0-AM-XXX	Standard	Custom to 163'	2W / FT.	N/A	Amber	N/A

2. Use the following ordering example:



To order a 112' length of 2700K tape specify: **V120-S0-27-112**

To order an 8' length of 3000K tape specify: **V120-S0-30-8**

To order a 72'-4" length of 4000K tape specify: **V120-S0-40-72**

NOTE: Each run requires power feed  
Recommended dimmers:  
Lutron Skylark  
Lutron DVCL 153

High Output (Do not exceed max. run of 149') - Cut in 4 inch increments

1. Select Color Temp. (Colors not available in High Output)

Catalog No.	Output	Length	LED Wattage	Lumens per Foot	Color Temp	CRI
V120-H0-27-XXX-X	High	Custom to 149'	4W / FT.	305	2700K	90+
V120-H0-30-XXX-X	High	Custom to 149'	4W / FT.	315	3000K	90+
V120-H0-40-XXX-X	High	Custom to 149'	4W / FT.	335	4000K	90+

Kelvin temperature (color) ± 100K

2. Use the following ordering example:



To order an 8' length of 2700K tape specify: **V120-H0-27-8**

To order a 24'-8" length of 3000K tape specify: **V120-H0-30-24-8**

To order a 148'-4" length of 4000K tape specify: **V120-H0-40-148-4**

NOTE: Each run requires power feed  
Recommended dimmers:  
Lutron Skylark  
Lutron DVCL 153

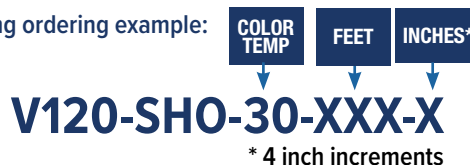
Super High Output (Do not exceed max. run of 59') - Cut in 4 inch increments

1. Select Color Temp. (Colors not available in High Output)

Catalog No.	Output	Length	LED Wattage	Lumens per Foot	Color Temp.*	CRI
V120-SHO-27-XXX-X	Super High	Custom to 59'	6W / FT.	500	2700K	90+
V120-SHO-30-XXX-X	Super High	Custom to 59'	6W / FT.	515	3000K	90+
V120-SHO-40-XXX-X	Super High	Custom to 59'	6W / FT.	530	4000K	90+

\* Kelvin temperature (color) ± 100K

2. Use the following ordering example:



To order a 10' length of 2700K tape specify: **V120-SHO-27-10**

To order a 32'-8" length of 3000K tape specify: **V120-SHO-30-32-8**

To order a 48'-4" length of 4000K tape specify: **V120-SHO-40-48-4**

NOTE: Each run requires power feed  
Recommended dimmers:  
Lutron Skylark  
Lutron DVCL 153

## Complete Your Installation

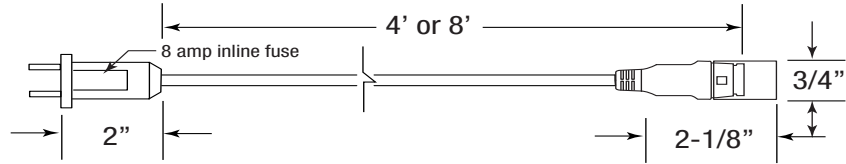
Vision120 Connectors and Mounting Brackets.....91



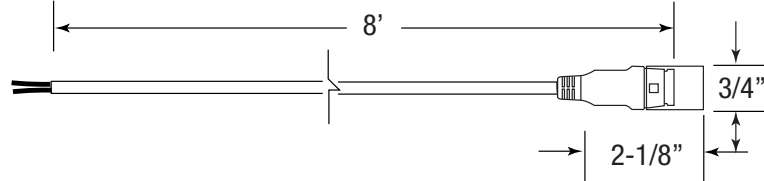
# Vision120 Connectors and Mounting Brackets



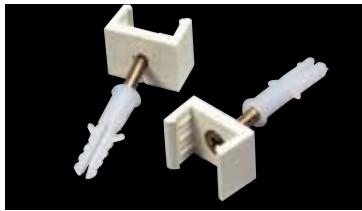
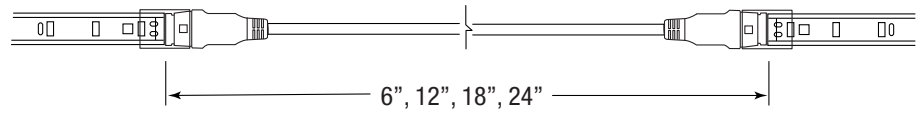
**V120-PC-4/8** 4' / 8' Power connector - cord and plug



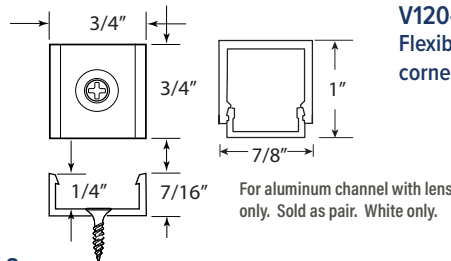
**V120-PCHW-8** 8' Power connector - hardwire



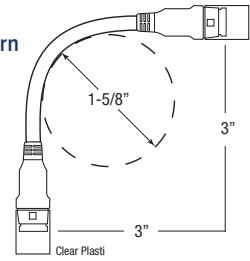
**V120-TTC-6/12/18/24** 6", 12", 18", 24" tape to tape flexible connector



**V120-MC**  
Mounting clips and screws  
(sold in bags of 10)



**V120-TTC-6**  
Flexible to turn corners



**LED-CHL-P-4 / 8**  
Shown with V120-ECC end cap covers. Can also be used with XD channel (see page 58)



**V120-CHL-4**  
4' aluminum mounting channel

Shown without frosted lens or end cap cover. Sold separately.

**V120-ECC**  
End cap cover

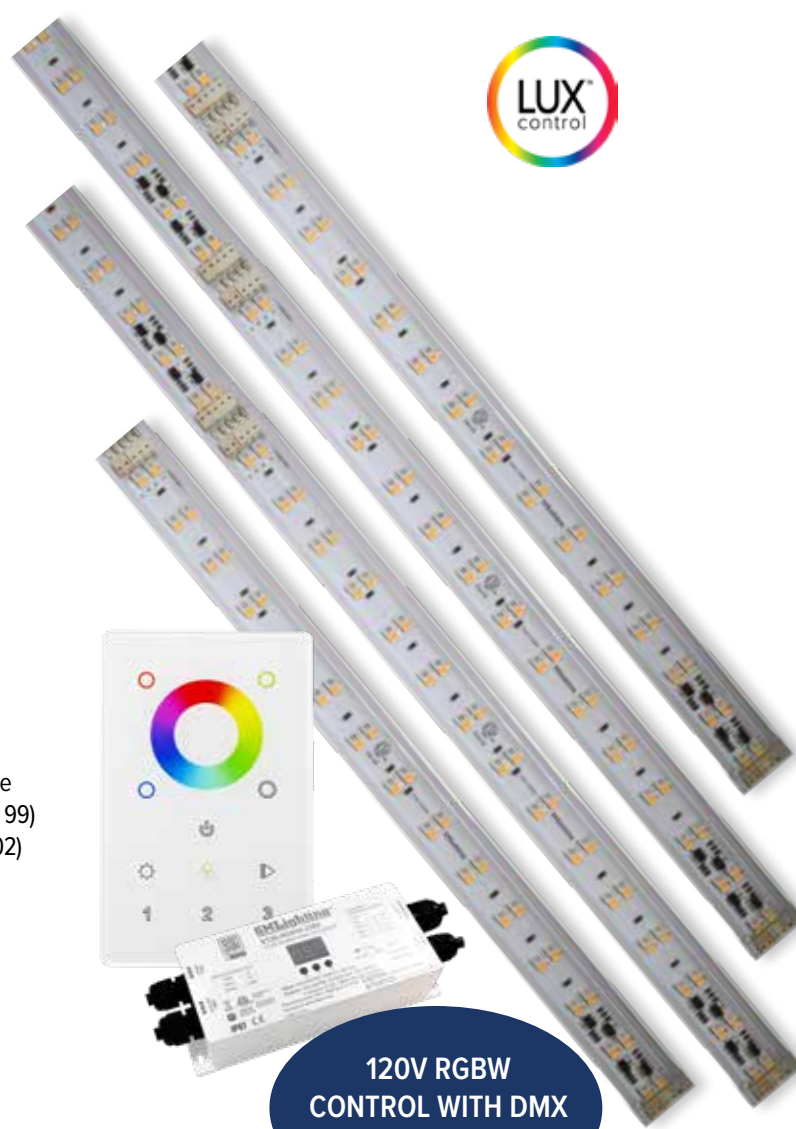
**V120-90R/L**  
90° Right/Left Connector

## Connectors and Accessories

Catalog No.	Description
<b>V120-CHL-4</b>	4' Aluminum mounting channel. Lens sold separately
<b>V120-CHL-4-LENS</b>	Frosted lens for 4' aluminum mounting channel
<b>V120-CHL-8</b>	8' Aluminum mounting channel. Lens sold separately
<b>V120-CHL-8-LENS</b>	Frosted lens for 8' aluminum mounting channel
<b>V120-CHL-P-4</b>	4' PVC mounting channel (lens not available)
<b>V120-CHL-P-8</b>	8' PVC mounting channel (lens not available)
<b>V120-ECC</b>	End cap covers (2) for aluminum channel with lens. White
<b>V120-MC</b>	Bag of 10 mounting clips (use 1 per foot min.)
<b>V120-PC-4</b>	4' Power connector - cord & plug with 8 amp replaceable fuse
<b>V120-PC-8</b>	8' Power connector - cord and plug with 8 amp replaceable fuse
<b>V120-PCHW-4</b>	4' Power connector - hardwire with 8 amp inline replaceable fuse
<b>V120-PCHW-8</b>	8' Power connector - hardwire with 8 amp inline replaceable fuse
<b>V120-TTC-6</b>	6" Tape to tape flexible connector
<b>V120-TTC-12</b>	12" Tape to tape flexible connector
<b>V120-TTC-18</b>	18" Tape to tape flexible connector
<b>V120-TTC-24</b>	24" Tape to tape flexible connector
<b>V120-3M-VHB-15</b>	15' Reel of 3M double sided mounting tape
<b>V120-3M-VHB-36YD</b>	108' reel of 3M double sided mounting tape
<b>V120-90R</b>	90° right connector - for indoor use only
<b>V120-90L</b>	90° left connector - for indoor use only



# 120V Vision120 RGBW WET LOCATION LED TAPE



**120V RGBW  
CONTROL WITH DMX  
PAGE 102**

- 120 VOLT**
- JWET LOCATION**
- 90+ CRI**
- NOT FIELD CUTTABLE**
- DIM**
- IP 65**
- 5 Yr. WARRANTY**
- ETL Intertek**

## PRODUCT DESCRIPTION

Our V120-RGBW is the newest addition in the Vision120™ series. With a wealth of color options, RGBW is the next generation of color changing technology for indoor & outdoor applications. Vision120™ RGBW is a standard output, wet location flexible LED linear tape that can be factory cut and configured to your specifications.

## KEY FEATURES

- 120V operation (no power supply required)
- RGB + 3000K White light
- Indoor or outdoor (IP65)
- Dimmable
- 120° viewing angle
- Power feed, connector & mounting options available
- Works with GM LUXcontrol™ App and controller (pg. 99)
- Works with DMX wall controller and decoder (pg. 102)
- Factory cuts and configurations for quick and easy installation (Cutttable every 12")
- Tape encased in water resistant clear poly flexible sheath (UV protected)
- Maximum run: 150ft.
- 5 year warranty

## ORDERING INFORMATION

MODEL	DESCRIPTION
V120-RGBW-XX	120V RGBW LED tape, 3W per ft., Wet location

**NOTE:** XX = ordered by the foot, enter length



Photo Credit: Ashley Gloster

## ACCESSORIES

MODEL	DESCRIPTION
V120-RGBW-CHL4	120V RGBW LED tape aluminum mounting channel, 4ft.
V120-RGBW-CHL8	120V RGBW LED tape aluminum mounting channel, 8ft.
V120-RGBW-CHL-LENS4	120V RGBW LED tape channel lens, 4ft.
V120-RGBW-CHL-LENS8	120V RGBW LED tape channel lens, 8ft.
V120-RGBW-MC	120V RGBW LED tape white plastic mounting clip (bag of 20)
V120-RGBW-TTC6	120V RGBW 6in flexible LED tape to tape, UV cured connector (factory installed)
V120-RGBW-TTC12	120V RGBW 12in flexible LED tape to tape, UV cured connector (factory installed)
V120-RGBW-TTC18	120V RGBW 18in flexible LED tape to tape, UV cured connector (factory installed)
V120-RGBW-TTC24	120V RGBW 24in flexible LED tape to tape, UV cured connector (factory installed)
V120-RGBW-PCHW8	120V RGBW Hardwire 8ft. flexible LED tape to controller connector, UV cured (factory installed)
V120-RGBW-CHL-ECC	Endcap covers for PCHW8 and endcap (sold as pair)
V120-RGBW-CHL-ECCTT	Endcap covers for TTC series (sold as pair)
V120-3M-VHB-15	15' reel of 3M double sided mounting tape
V120-3M-VHB-36YD	108' reel of 3M double sided mounting tape
GM-WPSC	Wet location 3-wire splice connector (included with SHWC-V120-RGBW)
GM-WPSC-RGBW	RGBW wet location 5-wire splice connector (included with SHWC-V120-RGBW)

NOTE: Connectors do not fit into channel. To conceal connectors use V120-RGBW-CHL-ECC or V120-RGBW-CHL-ECCTT.

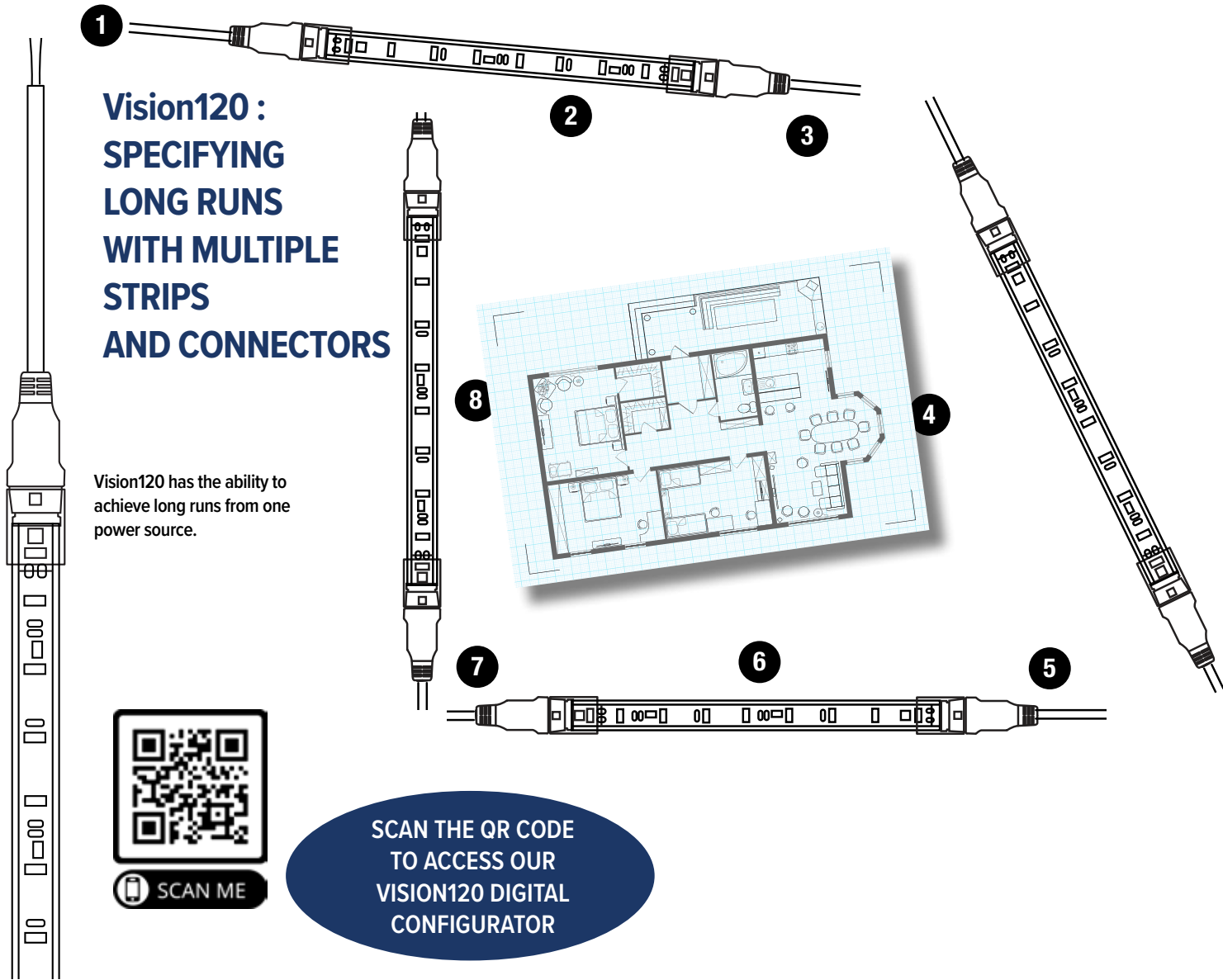


# Vision120 : SPECIFYING LONG RUNS WITH MULTIPLE STRIPS AND CONNECTORS

Vision120 has the ability to achieve long runs from one power source.



SCAN THE QR CODE  
TO ACCESS OUR  
VISION120 DIGITAL  
CONFIGURATOR



## Standard Output - cuttable every 4"

1 Power Feed	2 LED Strip 1	3 Connector 1	4 LED Strip 2	5 Connector 2	6 LED Strip 3	7 Connector 3	8 LED Strip 4
V120-____	V120-S0-____-	TTC-____	V120-S0-____-	TTC-____	V120-S0-____-	TTC-____	V120-S0-__-__
<b>SPECIFY:</b>  <b>V120-PC-4</b> 4' Cord & Plug w/ Fuse Protection <b>V120-PC-8</b> 8' Cord & Plug w/ Fuse Protection <b>V120-PCHW-8</b> 8' Hardwire	<b>SPECIFY:</b>  <b>Color Temp.</b> 27 - 2700K 30 - 3000K 40 - 4000K <b>Colors</b> RD - Red BL - Blue GR - Green AM - Amber  <b>Length:</b> 4 INCH INCREMENTS	<b>SPECIFY:</b>  6 6" Connector 12 12" Connector 18 18" Connector 24 24" Connector 90L - LEFT 90" Connector 90R - RIGHT 90° Connector	<b>SPECIFY:</b>  <b>Color Temp.</b> 27 - 2700K 30 - 3000K 40 - 4000K <b>Colors</b> RD - Red BL - Blue GR - Green AM - Amber  <b>Length:</b> 4 INCH INCREMENTS	<b>SPECIFY:</b>  6 6" Connector 12 12" Connector 18 18" Connector 24 24" Connector 90L - LEFT 90" Connector 90R - RIGHT 90° Connector	<b>SPECIFY:</b>  <b>Color Temp.</b> 27 - 2700K 30 - 3000K 40 - 4000K <b>Colors</b> RD - Red BL - Blue GR - Green AM - Amber  <b>Length:</b> 4 INCH INCREMENTS	<b>SPECIFY:</b>  6 6" Connector 12 12" Connector 18 18" Connector 24 24" Connector 90L - LEFT 90" Connector 90R - RIGHT 90° Connector	<b>SPECIFY:</b>  <b>Color Temp.</b> 27 - 2700K 30 - 3000K 40 - 4000K <b>Colors</b> RD - Red BL - Blue GR - Green AM - Amber  <b>Length:</b> 4 INCH INCREMENTS

### Example:

V120-PC-4	V120-S0- 27 - 38'4"	TTC- 6	V120-S0- 27 - 16'	TTC- 18	V120-S0- 27 - 12'8"	TTC- 6	V120-S0-27- 8"
-----------	---------------------	--------	-------------------	---------	---------------------	--------	----------------



## High Output - cuttable every 4”

1 Power Feed	2 LED Strip 1	3 Connector 1	4 LED Strip 2	5 Connector 2	6 LED Strip 3	7 Connector 3	8 LED Strip 4
V120-_____	V120-H0-_____-_____	TTC-_____	V120-H0-_____-_____	TTC-_____	V120-H0-_____-_____	TTC-_____	V120-H0-_____-_____
<b>SPECIFY:</b>  V120-PC-4 4' Cord & Plug w/ Fuse Protection V120-PC-8 8' Cord & Plug w/ Fuse Protection V120-PCHW-8 8' Hardwire	<b>SPECIFY:</b>  Color Temp. 27 - 2700K 30 - 3000K 40 - 4000K  Length: 4 INCH INCREMENTS	<b>SPECIFY:</b>  6 6" Connector 12 12" Connector 18 18" Connector 24 24" Connector 90L - LEFT 90° Connector 90R - RIGHT 90° Connector	<b>SPECIFY:</b>  Color Temp. 27 - 2700K 30 - 3000K 40 - 4000K  Length: 4 INCH INCREMENTS	<b>SPECIFY:</b>  6 6" Connector 12 12" Connector 18 18" Connector 24 24" Connector 90L - LEFT 90° Connector 90R - RIGHT 90° Connector	<b>SPECIFY:</b>  Color Temp. 27 - 2700K 30 - 3000K 40 - 4000K  Length: 4 INCH INCREMENTS	<b>SPECIFY:</b>  6 6" Connector 12 12" Connector 18 18" Connector 24 24" Connector 90L - LEFT 90° Connector 90R - RIGHT 90° Connector	<b>SPECIFY:</b>  Color Temp. 27 - 2700K 30 - 3000K 40 - 4000K  Length: 4 INCH INCREMENTS
<b>Example:</b>							
V120-PC-4	V120-H0-27 - 38'-4"	TTC-6	V120-H0-27 - 16'	TTC-18	V120-H0-27 - 12'-8"	TTC-6	V120-H027 - 8'

## Super-High Output - cuttable every 4”

1 Power Feed	2 LED Strip 1	3 Connector 1	4 LED Strip 2	5 Connector 2	6 LED Strip 3	7 Connector 3	8 LED Strip 4
V120-_____	V120-SH0-_____-_____	TTC-_____	V120-SH0-_____-_____	TTC-_____	V120-SH0-_____-_____	TTC-_____	V120-SH0-_____-_____
<b>SPECIFY:</b>  V120-PC-4 4' Cord & Plug w/ Fuse Protection V120-PC-8 8' Cord & Plug w/ Fuse Protection V120-PCHW-8 8' Hardwire	<b>SPECIFY:</b>  Color Temp. 27 - 2700K 30 - 3000K 40 - 4000K  Length: 4 INCH INCREMENTS	<b>SPECIFY:</b>  6 6" Connector 12 12" Connector 18 18" Connector 24 24" Connector 90L - LEFT 90° Connector 90R - RIGHT 90° Connector	<b>SPECIFY:</b>  Color Temp. 27 - 2700K 30 - 3000K 40 - 4000K  Length: 4 INCH INCREMENTS	<b>SPECIFY:</b>  6 6" Connector 12 12" Connector 18 18" Connector 24 24" Connector 90L - LEFT 90° Connector 90R - RIGHT 90° Connector	<b>SPECIFY:</b>  Color Temp. 27 - 2700K 30 - 3000K 40 - 4000K  Length: 4 INCH INCREMENTS	<b>SPECIFY:</b>  6 6" Connector 12 12" Connector 18 18" Connector 24 24" Connector 90L - LEFT 90° Connector 90R - RIGHT 90° Connector	<b>SPECIFY:</b>  Color Temp. 27 - 2700K 30 - 3000K 40 - 4000K  Length: 4 INCH INCREMENTS
<b>Example:</b>							
V120-PCHW-8	V120-SH0-40 - 14'	TTC-12	V120-SH0-40 - 16'-8"	TTC-6	V120-SH0-40 - 12'-4"	TTC-6	V120-SH040 - 14'

## RGBW - cuttable every 12”

1 Power Feed	2 LED Strip 1	3 Connector 1	4 LED Strip 2	5 Connector 2	6 LED Strip 3	7 Connector 3	8 LED Strip 4
V120-RGBW_____	V120-RGBW-_____-_____	TTC-_____	V120-RGBW-_____-_____	TTC-_____	V120-RGBW-_____-_____	TTC-_____	V120-RGBW-_____-_____
<b>SPECIFY:</b>  V120-RGBW-PCHW-8 8' Hardwire	<b>SPECIFY:</b>  Color Temp. RGBW  Length: 12 INCH INCREMENTS	<b>SPECIFY:</b>  6 6" Connector 12 12" Connector 18 18" Connector 24 24" Connector	<b>SPECIFY:</b>  Color Temp. RGBW  Length: 12 INCH INCREMENTS	<b>SPECIFY:</b>  6 6" Connector 12 12" Connector 18 18" Connector 24 24" Connector	<b>SPECIFY:</b>  Color Temp. RGBW  Length: 12 INCH INCREMENTS	<b>SPECIFY:</b>  6 6" Connector 12 12" Connector 18 18" Connector 24 24" Connector	<b>SPECIFY:</b>  Color Temp. RGBW  Length: 12 INCH INCREMENTS
<b>Example:</b>							
V120-RGBW-PCHW-8	V120-RGBW-20'	TTC-12	V120-RGBW-28'	TTC-18	V120-RGBW-15'	TTC-12	V120-RGBW-8'



# LUXCONTROL WIFI SYSTEM AND LED CONTROLS



## LUXCONTROL SMART WIFI SYSTEM

12V/24V WIFI CONTROLLERS .....	98
120V WIFI CONTROLLERS .....	99
WIFI DIMMER, OUTLET, PLUG.....	100



## DMX DECODERS

12V/24V DMX DECODER .....	101
120V DMX DECODER.....	102



## RGBW REMOTE CONTROLLER

24VDC HAND-HELD REMOTE .....	103
------------------------------	-----





# Smart Home Lighting WiFi Control System

RGBW, Tunable White, or Single Color Control  
12V / 24V

Our 12V/24V controllers provide easy and reliable control of your lights via GM's LUXcontrol™ App. Connect your fixture to control dimming, set schedules, turn the lights ON and OFF or preset timers and scenes from the convenience of your smartphone or tablet.



- Input Voltage: 12VDC / 24VDC
- RGBW, CCT and single color control
- Easy installation
- Unlimited grouping
- WiFi Frequency: 2.4GHz required
- WiFi Standard: IEEE 802.11b/g/n
- FCC certification
- Android™ compatible
- iOS® compatible
- Works with Google Assistant™
- Works with Amazon Alexa™
- Recommended for indoor use or requires a NEMA box for outdoor use (by others)



## ORDERING INFORMATION

PRODUCT NO.	DESCRIPTION	PRODUCT COMPATIBILITY
SHWC	Smart 2.4 GHz WiFi Controller, Standard 12V/24V Low Voltage, 1-Channel / 2-Wire	LTR-P, LTR-S, LTR-E, NV24S-3W, NV24T-3W, PL24V, S12x12-SO, S12x12-HO, EDGE, SDP-3, SP-2, SPM, VTX, 12V or 24V Single Color LEDs
SHWC-CCT	Smart 2.4 GHz WiFi Controller, CCT 12V/24V Low Voltage, 2-Channel / 3-Wire	LTR-S-TUN, CHPL, CHDL, 24V Tunable White LEDs
SHWC-RGBW	Smart 2.4 GHz WiFi Controller, RGBW 12V/24V Low Voltage, 4-Channel / 5-Wire	LTR-S-RGBW, NV24S-4W, NV24T-4W, S12x12-RGBW, 24V RGBW Color LEDs

Note: See product pages at [gmlighting.net](http://gmlighting.net) for specific usage details and requirements.

## ACCESSORIES

PRODUCT NO.	DESCRIPTION
SHWC-RGBW-RPT	Universal Smart Power Repeater
GM-WPSC	Universal Wet Location 3-wire splice connector
GM-WPSC-RGBW	Wet Location 5-wire RGBW splice connector





# 120V Vision120 LED CONTROLLERS

## Smart Home Lighting WiFi Control System

120V RGBW and  
Single Color Control

Our 120VAC high voltage RGBW controller is exclusively designed to control our Vision120™ RGBW LED tape via GM's LUXcontrol™ App providing easy and reliable control of your tape lights.

- 120V
- RGBW and single color control
- Easy installation
- Unlimited grouping
- RF Frequency: 2.4GHz
- Android™ compatible
- iOS® compatible
- Works with Google Assistant™
- Works with Amazon Alexa™
- Recommended for outdoor use - IP65



### ORDERING INFORMATION

PRODUCT NO.	DESCRIPTION	PRODUCT COMPATIBILITY
SHWC-V120	Smart Home 2.4 WiFi Controller, 120V High Voltage, IP65, 1-Channel / 2-Wire	V120-SO, V120-HO, V120-SHO, 120V Single Color LEDs
SHWC-V120-RGBW	Smart Home 2.4 WiFi Controller, RGBW 120V High Voltage, IP65, 4-Channel / 5-Wire, White 3000K	V120-RGBW, 120V RGBW Color LEDs

Note: See product pages at [gmlighting.net](http://gmlighting.net) for specific usage details and requirements.

### ACCESSORIES

PRODUCT NO.	DESCRIPTION
GM-WPSC	Universal Wet Location 3-wire splice connector
GM-WPSC-RGBW	Wet Location 5-wire RGBW splice connector

**WORKS WITH  
VISION120  
120V LED TAPE  
PAGE 87**





# Smart Home Lighting WiFi Control System

## Dimmer, Outlet and Plug

Energy Saving Performance  
and Wireless Control with  
GM's LUXcontrol™ App



Smart Home WiFi dimmer, outlet and plug can be controlled from anywhere with GM's LUXcontrol™ App. Create customized schedules, set timers and turn your devices ON/OFF from the comfort of your mobile phone or tablet.

PRODUCT NO.	DESCRIPTION
SHWD	Smart Home 2.4 WiFi Dimmer, 120V, White
SHWO	Smart Home 2.4 WiFi Outlet, 120V, White, 2x USB ports
SHWP	Smart Home 2.4 WiFi Plug 120V, White

### THE POWER OF RGBW

RGBW LED tape light consists of red, green, blue and single color high brightness white LEDs. RGBW is able to create a wide range of colors by mixing the lights through intensity, hue and combination. The color rendering index can be up to 95 CRI making it a perfect solution for applications where colorful and high quality lighting is needed. The 4-in-1 RGBW LED chips can create a wide range of unique shades including not only color but also a pure white tone.

GM Lightings' RGBW LED tape is available in 24V and 120V. Each series is matched with a custom controller that can be used to change the brightness, color, dimming and light intensity.

24V LTR-S-RGBW - page 40

24V NeoVision RGBW - page 80

120V Vision120 RGBW - page 92



# 12V/24V 5-Channel RGBW DMX Decoder and Wall Controller



## DECODER

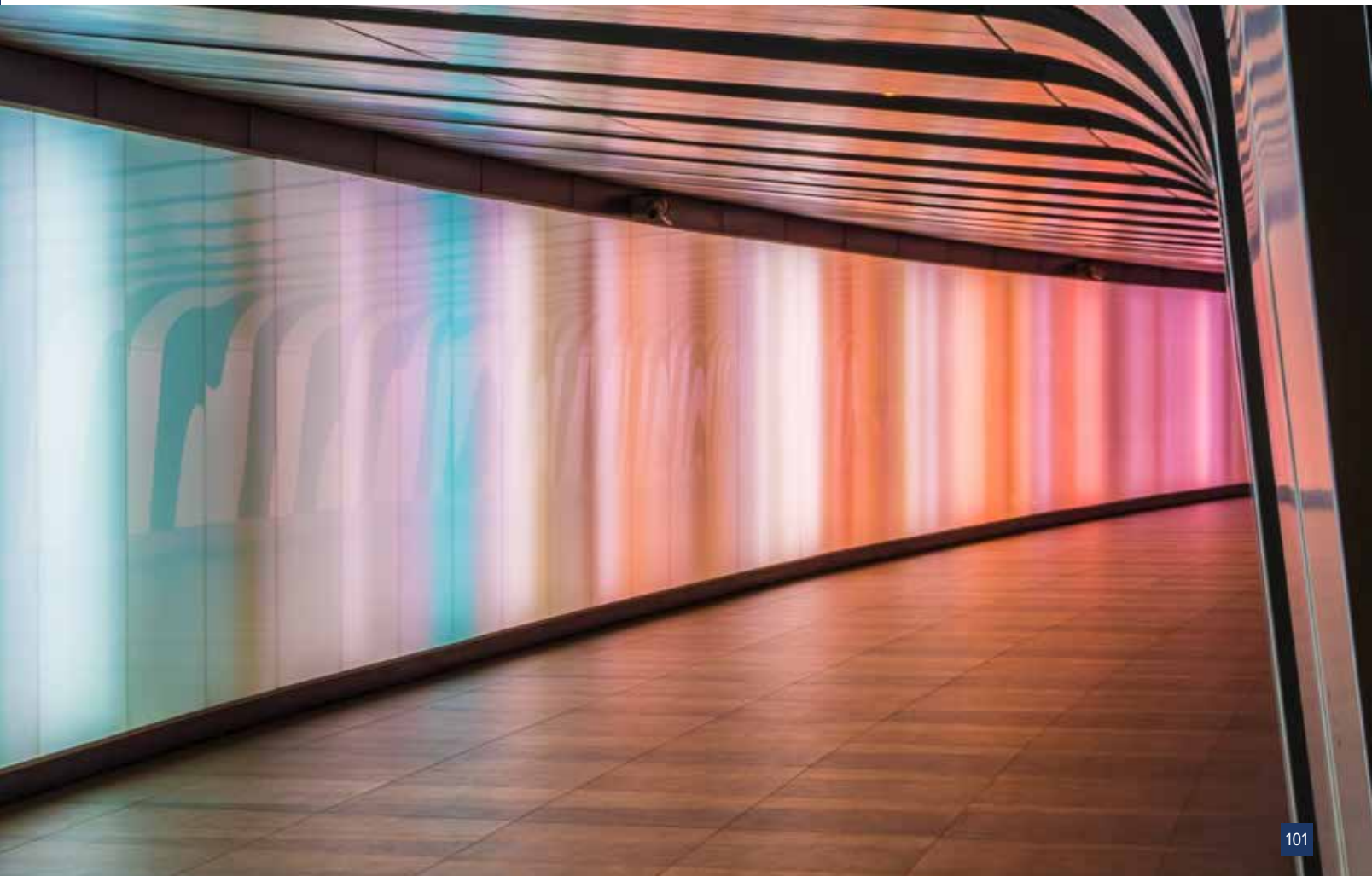
- DMX995 Socket: XLR-3, RJ45, Green Terminal
- Dimming Range: 100% to 1% dimming
- 5-channels
- For 12V/24V LED Tape
- Works with Single Color, RGBW and Tunable White
- Self-testing
- DMX512/RDM input signal

## CONTROLLER

- Control 3 zones
- Thousands of color options
- 4-channels: Red, Green, Blue, White
- 100% to 1% dimming
- ON/OFF control
- Touch sensitive
- 10 preset modes
- Fits standard junction box



Product No.	Description	Product Compatibility
DMX-LT-995	DMX995 Decoder 12/24VDC 6A x 5CH 30A	LTR-S-RGBW, NV24S-4W, NV24T-4W, S12x12-RGBW, 24V RGBW Color LEDs
RGBW-DMX-WC	DMX512 Controller	





# Vision120 DMX Decoder 120V 4-Channels

DMX decoder allows you to change and modify your LED installation into lighting sequences and gain independent control between sections with 100% to 1% dimming and other lighting effects.



## DMX DECODER

- 120VAC
- 100% to 1% dimming
- 4-channels: Red, Green, Blue, White
- Current Load: Max. 6A
- Max Output Power: 720W total (180W per channel)
- User-friendly digital display
- DMX address settable from 1 to 512
- Works with any DMX system
- Self-testing
- Wet location - IP67
- Works with RGBW tape including Vision120 RGBW
- FCC, ETL, CE, RoHS, cRUus

## DMX REMOTE CONTROLLER

- Touch sensitive
- 10 preset modes
- Thousands of color options
- 4-channels: Red, Green, Blue, White
- Control up to 3 zones
- Dimming / Brightness / ON/OFF control options
- Fits standard junction box

## ORDERING INFORMATION

PRODUCT NO.	DESCRIPTION
V120-RGBW-DMX	V120RGBW DMX Decoder 1.5A x 4CH 6A
RGBW-DMX-WC	RGBW DMX512 Wall Controller

## ACCESSORIES

PRODUCT NO.	DESCRIPTION
SJTW-2W	SJTW-2W wire / per ft.
SJTW-3W	SJTW-3W wire / per ft.
SJTW-5W	SJTW-5W wire / per ft.



# LTR-S SERIES 24VDC RGBW COLOR CHANGING TAPE CONTROLLER AND HAND-HELD REMOTE

RGBW is the next generation of color changing effects that adds the pulsating colors of a nightclub, the unforgettable vibe in themed environments, and dazzling outdoor displays around water or architectural constructs - with the added element of true white 3000K. This controller/amp and hand held unit enables a limitless variety of color effects and patterns.



RGBW CONNECTORS  
SEE PAGE 69

RGBW-WP IS CUT AND CAP ONLY

FOR A COMPLETE LIST OF 24VDC NON-DIMMABLE ELECTRONIC POWER SUPPLIES SEE PAGE 196

RGBW-RWC CONTROLLER

RGBW-RP REPEATER



## KEY FEATURES

- Remote wall mounted bracket included
- 433 Hz. RF wireless
- Energy saving sleep mode for remote battery
- 5 year warranty

## COLOR EFFECTS

- Static Red, Green, Blue, Yellow, Purple, Cyan and 3000K White
- 3-Color Skipping
- 7-Color Skipping
- 3-Color Smooth
- Full Color Smooth
- 50 levels of brightness and speed adjustment

## ORDERING INFORMATION

Cat. No.	Description	Product Compatibility
RGBW-RWC	RGBW controller/amp with battery powered remote	LTR-S-RGBW, NV24S-4W, NV24T-4W, S12x12-RGBW, 24V RGBW Color LEDs
RGBW-RP	RGBW repeater	

## Complete Your Installation

LED Tape Mounting Channels, Lens and Accessories .....	55
Electronic Non-Dimmable Power Supplies .....	196
GM Lighting Wire.....	50





# ChromaDim Tunable White Control



CHROMADIM TUNABLE WHITE  
SYSTEM.....107



CHROMADIM TUNABLE WHITE  
LED TAPE..... 109



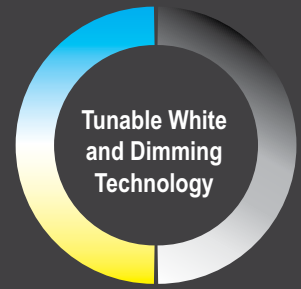
CHROMADIM TUNABLE WHITE  
LED PUCK LIGHT ..... 110



CHROMADIM TUNABLE WHITE  
LED DOWNLIGHT..... 111



# ChromaDim



## WHY TUNABLE WHITE LIGHT?

More and more architects and lighting designers are understanding the benefits of lighting for our health and well-being. Studies show that lighting has a major influence on our mood and productivity. With Tunable White LED lighting, you can adjust the color temperature from warm-white to cool-white to enhance the ambiance, simulate daylight, support the human circadian rhythm system or make spaces more inviting. The color temperature and brightness can be tailored according to your needs or mood.





## WHAT IS CHROMADIM™?



ChromaDim is a Tunable White & Dimming Lighting Control System. The wall controller and driver pair automatically through the RF signal when the light is switched on. ChromaDim is a simple and cost-effective solution for GM Lighting's Tunable White LED Tape, Puck Lights and Downlights. The system allows you to control color tuning and dimming via a single wall switch.

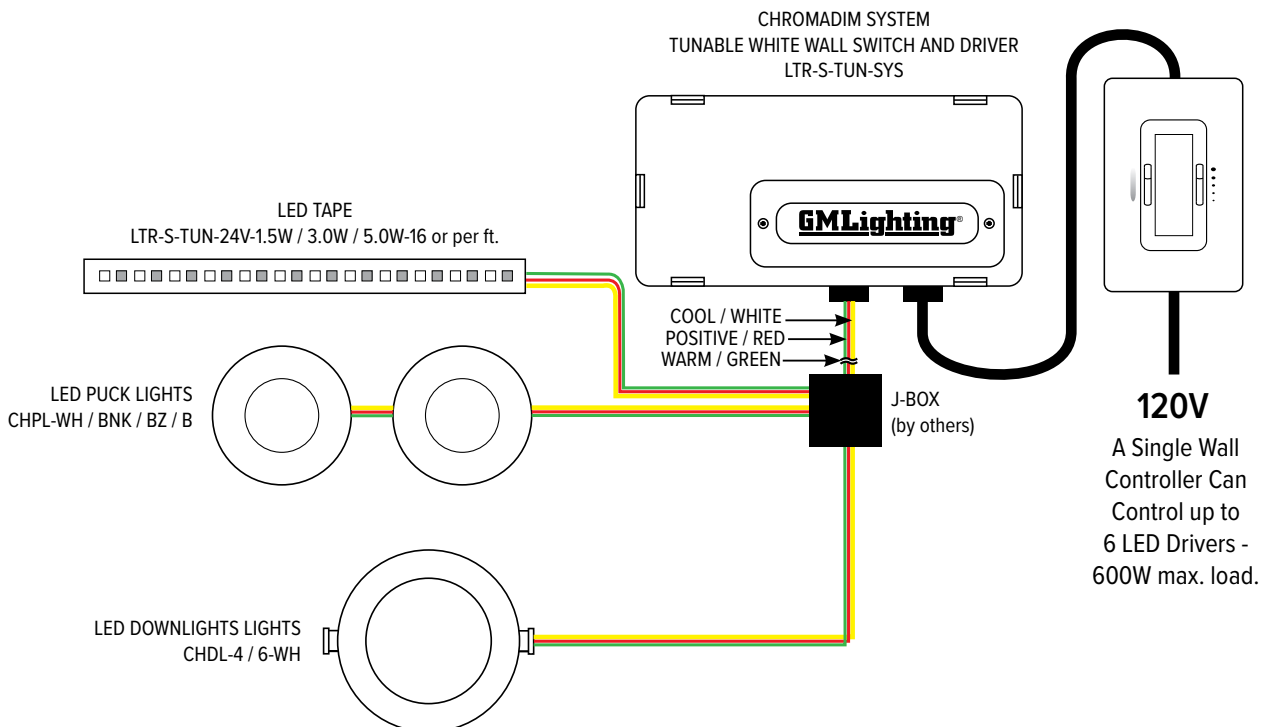
- Synergistic Wall Controller and Driver
- Works in sync with GM's 24VDC Tunable White LED Tape, Puck Lights and Downlights
- Dims down to 1%
- Simple Installation w/ Automatic RF Pairing for Color Tuning
- 120VAC Wall Controller with no Battery Required fits US Standard Gang Box
- Flicker-Free Soft Dimming Control
- CCT Adjustment from 2400K to 5000K
- UL Listed



## ORDERING INFORMATION

Model	Description
LTR-S-TUN-SYS	Tunable White Lighting System; Wall Controller + Driver
LTR-S-TUN-24V-90W	90W 24V Tunable White Driver, Driver Only
LTR-S-TUN-SW	24V ChromaDim Tunable White Wall Switch Only

For compatible product information, see next pages.







24  
VOLT



90+  
CRI

CLASS  
2



5 Yr.  
WARRANTY



# LTR-S

## Tunable White LED Tape

The LTR-S-TUN-24V Tunable White LED Tape enables light to be 'fine tuned' over a spectrum of white color temperatures, therefore, allowing subtle to stark ambiance changes to match the mood, the event, or the subject illuminated. Our Tunable White LED Tape can be adjusted from 2400K to 5000K.

### KEY FEATURES:

- 24VDC
- 1.5W/ft., 3.0W/ft. and 5W/ft.
- 90+ CRI
- 2400K to 5000K
- Dry location
- IP20
- Premium diodes
- 120 LED's/meter (36LEDs/ft.)
- 120° viewing angle
- Dimmable
- Controlled by LUXcontrol or ChromaDim
- Cuttable every 2"
- 3M adhesive back
- 48" of lead affixed at start of reel
- Max. run: 1.5W and 3W=32'-8" 5.0W=16'-4"
- Custom lengths available consult factory
- ETL listed
- 5 year warranty when used with GM power supply

# ChromaDim



Special Tape Product No. Example

## LTR-S - TUN - 24V - X.XW - 16

SERIES PREFIX  
(S = SPEC)

TYPE

VOLTAGE

WATTS / FOOT  
1.5W  
3.0W  
5.0W

REEL LENGTH  
16 = 16'-4"  
CUSTOM CUT  
FEET-INCHES  
(CUTS MADE IN  
2" INCREMENTS)

**TITLE 24** COMPLIES WITH TITLE 24 WHEN USED WITH SPECIFIC DRIVERS. CONSULT FACTORY.

**FOR PROPER THERMAL MANAGEMENT, MOUNT THIS PRODUCT IN CHANNEL (RECOMMENDED FOR 5W)**

### ORDERING INFORMATION

Product No.	Output	Wattage per foot	Type	Length	Lumens per foot	CRI	Color Temp.	Max. Run
LTR-S-TUN-24V-1.5W-16	24VDC	1.5W	TUN	16'-4" / 5M	162 (3500K)	90+	2400K-5000K	32'-8"
LTR-S-TUN-24V-1.5W-100	24VDC	1.5W	TUN	16'-4" / 5M	162 (3500K)	90+	2400K-5000K	32'-8"
LTR-S-TUN-24V-1.5W-FT	24VDC	1.5W	TUN	16'-4" / 5M	162 (3500K)	90+	2400K-5000K	32'-8"
LTR-S-TUN-24V-3.0W-16	24VDC	3.0W	TUN	16'-4" / 5M	267 (3500K)	90+	2400K-5000K	32'-8"
LTR-S-TUN-24V-3.0W-100	24VDC	3.0W	TUN	16'-4" / 5M	267 (3500K)	90+	2400K-5000K	32'-8"
LTR-S-TUN-24V-3.0W-FT	24VDC	3.0W	TUN	16'-4" / 5M	267 (3500K)	90+	2400K-5000K	32'-8"
LTR-S-TUN-24V-5.0W-16	24VDC	5.0W	TUN	16'-4" / 5M	415 (3500K)	90+	2400K-5000K	16'-4"
LTR-S-TUN-24V-5.0W-100	24VDC	5.0W	TUN	16'-4" / 5M	415 (3500K)	90+	2400K-5000K	16'-4"
LTR-S-TUN-24V-5.0W-FT	24VDC	5.0W	TUN	16'-4" / 5M	415 (3500K)	90+	2400K-5000K	16'-4"

16'-4" reel includes 48" lead affixed to tape.

### CONNECTORS

Connector Product No.	Description
LTR-S-TUN-SP	SPLICE CONNECTOR
LTR-S-TUN-TPC60	60" ADJUSTABLE TAPE TO POWER CONNECTOR
LTR-S-TUN-TTC3	3" ADJUSTABLE TAPE TO TAPE CONNECTOR
LTR-S-TUN-TTC12	12" ADJUSTABLE TAPE TO TAPE CONNECTOR
LTR-S-TUN-TTC24	24" ADJUSTABLE TAPE TO TAPE CONNECTOR
LTR-S-TUN-TTC36	36" ADJUSTABLE TAPE TO TAPE CONNECTOR
LTR-S-TUN-TTC60	60" ADJUSTABLE TAPE TO TAPE CONNECTOR

Connectors ordered separately.

2400K

5000K

**LTR-S TAPE DIAGRAMS: PAGE 45  
COMPLETE LIST OF CHANNELS: PAGE 55  
POWER SUPPLIES: PAGE 193**



# CHROMADIM TUNABLE WHITE LED PUCK LIGHT

**24 VOLT**

**DRY LOCATION**

**90+ CRI**

**ETL US Intertek**

**3 Yr. WARRANTY**

**↑ ↓**

## PRODUCT DESCRIPTION

A surface or recess mount 24VDC, 3W high power tunable LED puck that is available in white, black, bronze or brushed nickel. All high-grade aluminum for superior heat dissipation. Frosted lens delivers even light distribution.

## FEATURES

- 24VDC operation
- 3.0W
- 225lm (in 3500K)
- 90+ CRI
- Adjustable color temp. from 2400K to 5000K
- Multiple finishes: white, black, bronze, brushed nickel
- 112° beam angle
- Dimmable
- Can be surface or recess mounted
- ETL certification



## ORDERING INFORMATION

Model	Description
CHPL-WH	24V 3W Tunable White LED Puck Light, White
CHPL-B	24V 3W Tunable White LED Puck Light, Black
CHPL-BN	24V 3W Tunable White LED Puck Light, Brushed Nickel
CHPL-BZ	24V 3W Tunable White LED Puck Light, Bronze

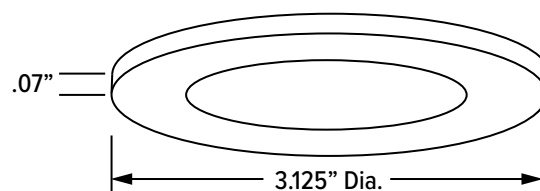
Includes 48" lead

### SURFACE MOUNT



### RECESS MOUNT

Cut 2-7/8" dia hole.  
Requires 0.57" deep minimum recess  
Remove outer ring for recessed mount



# CHROMADIM TUNABLE WHITE LED DOWNLIGHTS

**24 VOLT**

**DRY LOCATION**

**90+ CRI**

**ETL Intertek**

**3 Yr. WARRANTY**

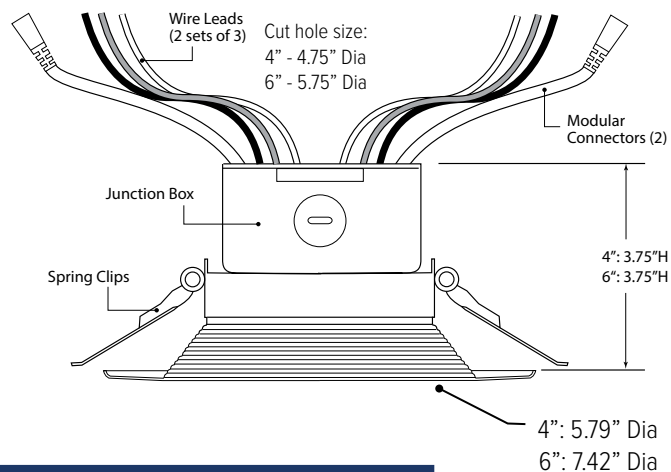
**↑ ↓**

## PRODUCT DESCRIPTION

The ChromaDim downlight is an easy to install recessed mount luminaire with regressed baffle and an integral junction box. These 4" and 6" downlights feature superior optics and Energy Star rating in a streamlined, shallow mount design.

## FEATURES

- Available in 4" and 6" aperture
- 10W (4") and 15W (6")
- Dimmable
- 100° beam angle
- Adjustable color temp. from 2400K to 5000K
- Built-in J Box for easy installation
- Quick connect or hard wiring options
- 90+ CRI
- 600lm (4") and 1000lm (6")
- White finish
- ETL certification for wet location



## ORDERING INFORMATION

Model	Description
CHDL-4-WH	24V 10W Tunable White LED Downlight; White
CHDL-6-WH	24V 15W Tunable White LED Downlight; White

## ACCESSORIES

Model	Description
CHDL-EXT5	5' Quick connect cord for ChromaDim Downlights
CHDL-EXT10	10' Quick connect cord for ChromaDim Downlights
CHDL-EXT20	20' Quick connect cord for ChromaDim Downlights
CHDL-EXTPF20	20' Quick connect power feed for ChromaDim Downlights
CHDL-UNV-NCP	New construction plate for ChromaDim Downlights



**CUT-OUT DIMENSIONS:**  
CHDL-4 4-3/4" DIA.  
CHDL-6 5-3/4" DIA.

CHDL-UNV-NCP  
Mounting Plate

**QUICK CONNECT  
OR HARD WIRING FOR  
EASY INSTALLATION**









## Undercabinet Lighting

TUNABLETASK™ 120V  
SELECTABLE KELVIN ..... 114

LUMENTASK™ 120V  
LED ..... 116



# TUNABLETASK™ 120V SELECTABLE KELVIN UNDERCABINET LIGHTING



16" TunableTask in White

**120 VOLT**

**DAMP LOCATION**

**90+ CRI**

**27K 30K 40K**

**TITLE 24**

**5 Yr. WARRANTY**

## PRODUCT DESCRIPTION

Able to achieve color temps. of 2700K, 3000K and 4000K in a single fixture, this dimmable, adjustable Kelvin undercabinet fixture features excellent color rendering in a powder coated aluminum housing with polycarbonate lens. Low profile and easy to mount in 8", 16", 24" and 32" lengths.

Dimensioned drawings - see page 117

## KEY FEATURES

- Under 1" mounting depth
- Screw slots for easy wiring access
- Rated at 6W (8"), 10W (16"), 14W (24") and 16W (32")
- Selectable between 2700K, 3000K and 4000K
- Supplied with Wago® Connectors for easy connection
- Includes captive mounting screws
- Powder coat aluminum housing
- Dimmable (Triac)
- 90+ CRI
- Units join securely together with connectors (see next page)
- Available in 8", 16", 24" and 32" lengths
- Energy Star listed
- Title 24
- 5 year warranty



## ORDERING INFORMATION

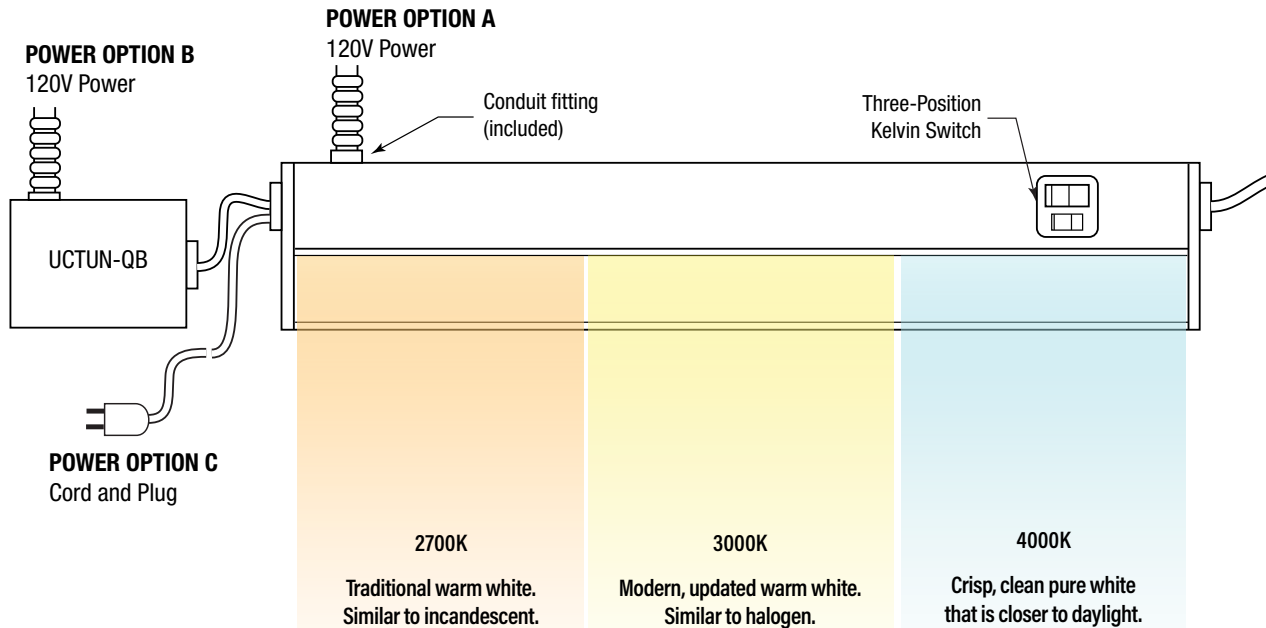
Catalog No.	Length	Wattage	Lumens	CRI	Finish
UCTUN-8-WH	8" / 203mm	6W	400	90+	White
UCTUN-8-BZ	8" / 203mm	6W	400	90+	Bronze
UCTUN-16-WH	16" / 406mm	10W	850	90+	White
UCTUN-16-BZ	16" / 406mm	10W	850	90+	Bronze
UCTUN-24-WH	24" / 610mm	14W	1000	90+	White
UCTUN-24-BZ	24" / 610mm	14W	1000	90+	Bronze
UCTUN-32-WH	32" / 1100mm	16W	1150	90+	White
UCTUN-32-BZ	32" / 1100mm	16W	1150	90+	Bronze

Each fixture includes (1) UCTUN-EZ-1 connector and (1) conduit fitting and captive mounting screws

## PRODUCT NOTES:

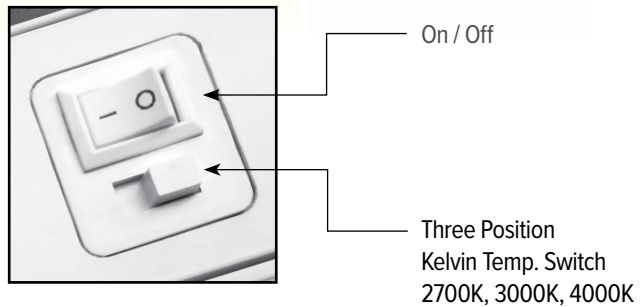
Installation instructions and spec sheet available for download.  
View this product on [www.gmlighting.net](http://www.gmlighting.net)

# COLOR TEMP GUIDE AND CONNECTORS



## AMBIANCE ADJUSTMENT

Selectable white lighting has become one of the most popular trends in lighting design. In residential kitchen lighting, switchable white undercabinet lighting enables a variety of color renditions that effect ambiance and mood.



## CONNECTORS AND ACCESSORIES

Catalog No.	Description
UCTUN-CP6-WH (B)	Plug-in 5' power cord - white or black (BL)
UCTUN-EZ-1-WH (B)	Fixture to fixture connector - white
UCTUN-EZ-6-WH (B)	6" Flexible fixture to fixture connector - white or black (BL)
UCTUN-EZ-12-WH (B)	12" Flexible fixture to fixture connector - white or black (BL)
UCTUN-QB-WH (B)	Quick-Box wiring junction box with EZ connectors and knock-outs - white or black (BL)



UCTUN-QB-WH (B)  
120V Quick Box wiring junction with UCTUN-EZ connector, knock-outs and on-off switch. 6-5/16" x 3-3/4" x 1-1/8"



# LUMENTASK™ 120V LED UNDERCABINET / TASK LIGHTING



## PRODUCT DESCRIPTION

The industry standard for LED undercabinet lighting. GM Lighting's LumenTask™ LED undercabinet fixtures has proven itself over many years of use in residential and commercial kitchens, offering an attractive and low maintenance, high 90+ CRI performance, and dimmable fixture.

Dimensioned drawings - see page 117

## KEY FEATURES

- Rated at 6.4W (8"), 11.2W (16"), 17.2W (24") and 23.3W (32")
- 3000K
- Polycarbonate lens for better durability and diode-free lighting
- Dimmable with standard dimmers
- 90+ CRI
- End caps feature standard / Wiremold™ combo
- Units join securely together with connectors (see page 100)
- Available in 8", 16", 24" and 32" lengths
- Energy Star listed
- 5 year warranty

## ORDERING INFORMATION

Catalog No.	Length	Wattage	Lumens	CRI	Color Temp	Finish
UCLED-8-WH-DIM-30	8" / 203mm	6.4W	392	90+	3000K	White
UCLED-8-BZ-DIM-30	8" / 203mm	6.4W	392	90+	3000K	Bronze
UCLED-16-WH-DIM-30	16" / 406mm	11.2W	700	90+	3000K	White
UCLED-16-BZ-DIM-30	16" / 406mm	11.2W	700	90+	3000K	Bronze
UCLED-24-WH-DIM-30	24" / 610mm	17.2W	1131	90+	3000K	White
UCLED-24-BZ-DIM-30	24" / 610mm	17.2W	1131	90+	3000K	Bronze
UCLED-32-WH-DIM-30	32" / 1016mm	23.3W	1347	90+	3000K	White
UCLED-32-BZ-DIM-30	32" / 1016mm	23.3W	1347	90+	3000K	Bronze

## ACCESSORIES

Catalog No.	Description
JB-1	LumenTask Junction Box for Hardwire Installations

Catalog No.	Description
EZ-1	Connects 2 LumenTask fixtures directly together
EZ-3	3" flexible LumenTask fixture to fixture connector
EZ-6	6" flexible LumenTask fixture to fixture connector
EZ-12	12" flexible LumenTask fixture to fixture connector
SLJR-HSW	Quick-Box junction box for hardwire installation Must be used with EZ Connector
CP-6	72" cord and plug with modular connector

## PRODUCT NOTES:

Installation instructions and spec sheet available for download.

View this product on [www.gmlighting.net](http://www.gmlighting.net)

# LUMENTASK 120V LED UNDERCABINET SPECIFICATIONS

One piece, low profile (1-3/8" height), 18 gauge CRS housing with diecast ends for stability

Available in 8", 16", 24" and 32" lengths

Open Wide wiring compartment

Polycarbonate lens for better durability and diode-free lighting

On-Off switch. Dimmable with standard dimmer.

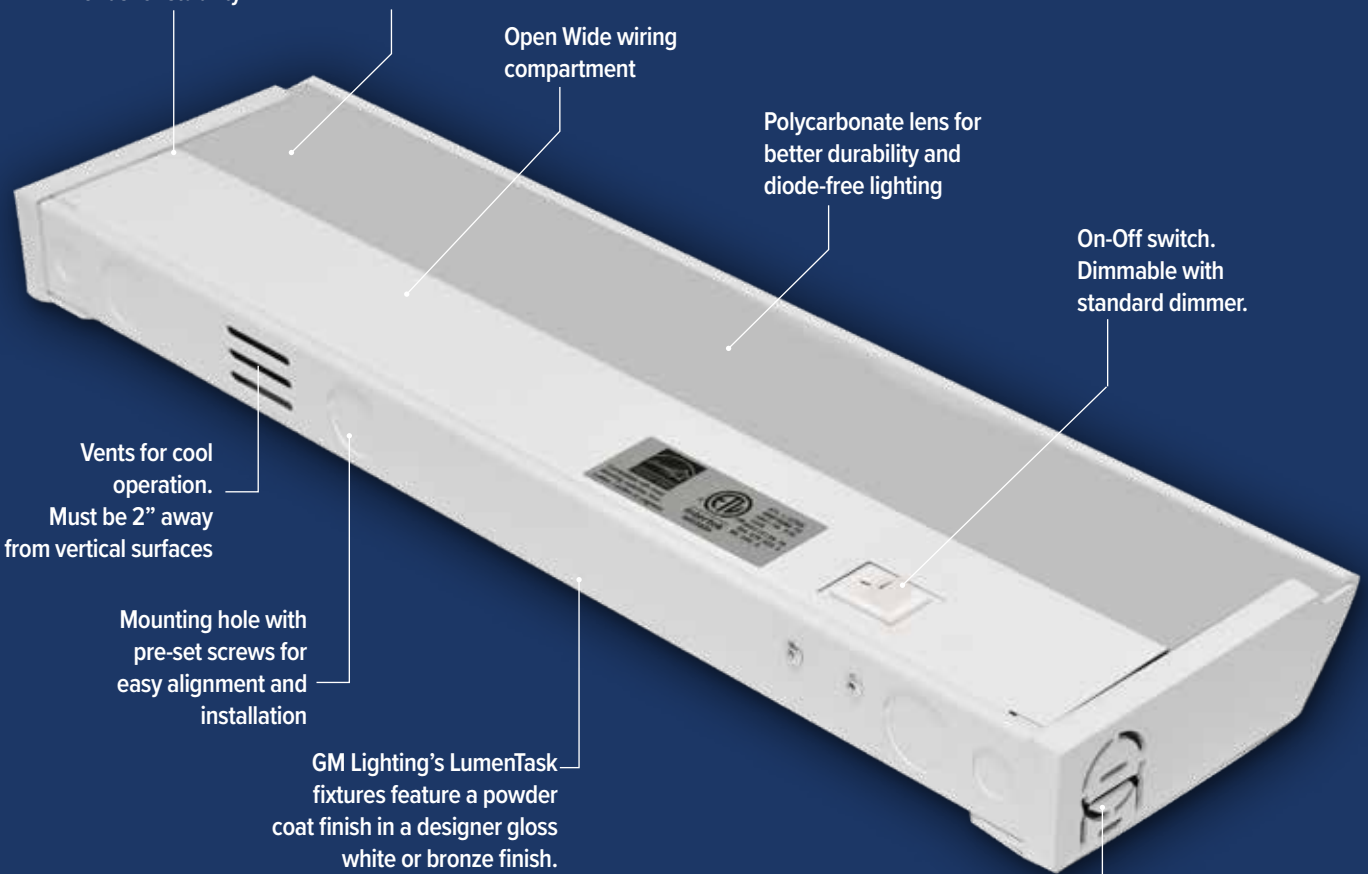
Vents for cool operation. Must be 2" away from vertical surfaces

Mounting hole with pre-set screws for easy alignment and installation

GM Lighting's LumenTask fixtures feature a powder coat finish in a designer gloss white or bronze finish.

Knock-outs on back and end caps. Wire Mold™ knock-outs on end caps only. Look for optional connectors for multiple unit connection on page 116

Die cast end caps



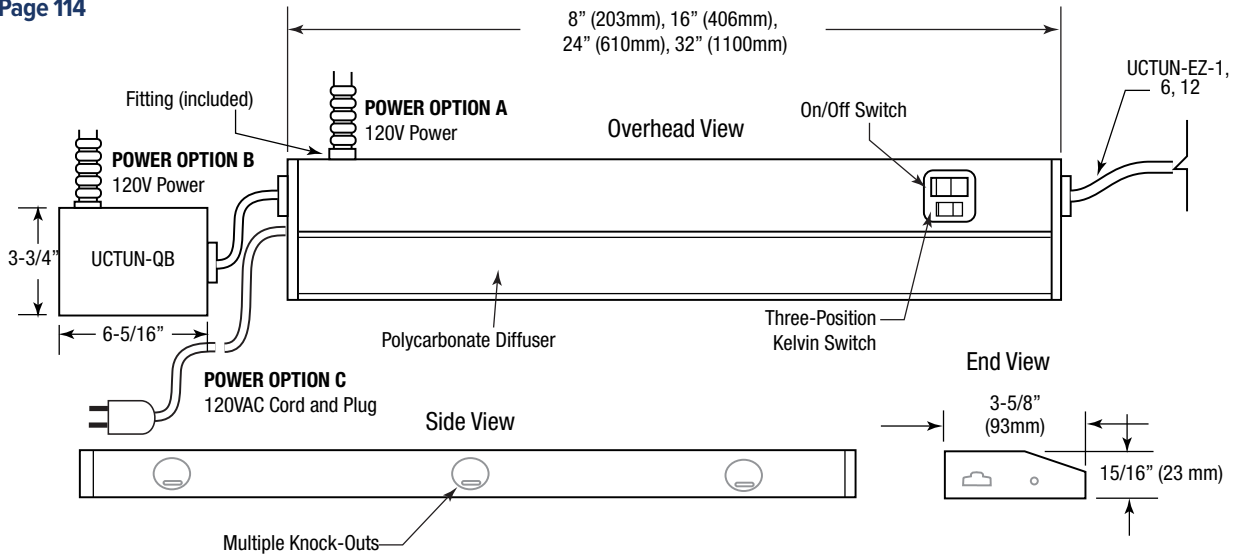




# UNDERCABINET FIXTURE DIAGRAMS

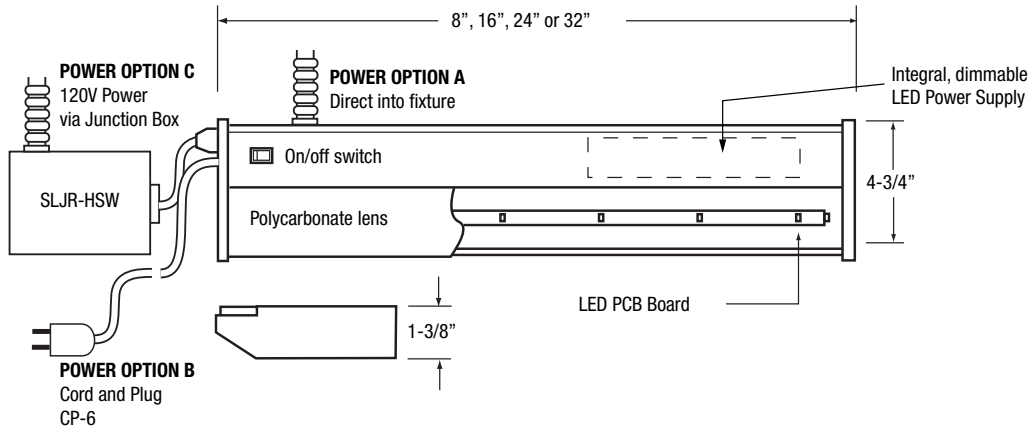
## TUNABLETASK™ Series

Page 114



## LUMENTASK™ LED Series

Page 116



## UNDERCABINET FIXTURE COMPARATIVE ANALYSIS

LightBar Series	Voltage	Wattage	Lengths (Actual)	Mounting Depth	CRI	Lumens per fixture	Color Temps
TUNABLETASK	120V	6W	8"	15/16"	90+	8" - 400	2700K, 3000K, 4000K
		10W	16"			16" - 850	
		14W	24"			24" - 1000	
		16W	32"			32" - 1150	
LUMENTASK LED	120V	6.4W	8"	1-3/8"	90+	8" - 392	3000K
		11.2W	16"			16" - 700	
		17.2W	24"			24" - 1131	
		23.3W	32"			32" - 1347	

Specifications are subject to change without notice. Please refer to website ([www.gmlighting.net](http://www.gmlighting.net)) for the latest specification info



# 12VDC / 24VDC / 120V Lightbars



24VDC SLIMEDGE™ LIGHTBAR  
SHOWN WITH OPTIONAL  
POWER MODULE  
122



24VDC LARC6 MODULAR  
ADJUSTABLE LIGHTBAR  
127



120V COVALINEAR SWITCHABLE  
LINEAR LED LIGHTBAR  
128



12VDC LTAB-N ALUMINUM  
HIGH OUTPUT WET  
LOCATION LED LIGHTBAR  
130

12VDC LTB RIGID HIGH  
OUTPUT LED LINEAR  
LIGHTBAR  
131





# SLIMEDGE™ 24VDC MODULAR LIGHTBAR

**24 VOLT**

**DRY LOCATION**

**90+ CRI**

**CLASS 2**

**5 Yr. WARRANTY**

**UL C US**

SlimEdge in White with EDGE-TD-W Power Switch Module



## PRODUCT DESCRIPTION

Slim Edge™ is a 24VDC architectural LED linear thin lightbar that is the next evolution in undercabinet lighting. Using high-tech Edgelit technology - Slim Edge creates an even luminance while producing a gentle, soft light. 90+ CRI optics that present no diode imaging on polished surfaces. Available in 8", 16", 24" or 32" in white or bronze. Utilizing the wide array of connectors, Slim Edge can be configured to adapt to virtually any application. Can be used with DPPS power supply - see next page.

## KEY FEATURES

- Rated at 3W (8"), 6W (16"), 10W (24") and 13W (32")
- 2700K and 3000K
- Edgelit technology - no diode imaging
- Dimmable
- Class 2
- Maximum run: 96W
- Mounting clips and screws included
- Units join securely together with modular connectors (see next page)
- Available in 8", 16", 24" and 32" lengths
- 5 year warranty when used with GM power supply

## ORDERING INFORMATION

Catalog No.	Length	Wattage	Lumens	Color Temp.	Finish
EDGE-8-27-W	8" / 203mm	3W / bar	150 / bar	2700K	White
EDGE-16-27-W	16" / 406mm	6W / bar	325 / bar	2700K	White
EDGE-24-27-W	24" / 610mm	10W / bar	550 / bar	2700K	White
EDGE-32-27-W	32" / 1100mm	13W / bar	750 / bar	2700K	White
EDGE-8-27-BZ	8" / 203mm	3W / bar	150 / bar	2700K	Bronze
EDGE-16-27-BZ	16" / 406mm	6W / bar	325 / bar	2700K	Bronze
EDGE-24-27-BZ	24" / 610mm	10W / bar	550 / bar	2700K	Bronze
EDGE-32-27-BZ	32" / 1100mm	13W / bar	750 / bar	2700K	Bronze
EDGE-8-30-W	8" / 203mm	3W / bar	150 / bar	3000K	White
EDGE-16-30-W	16" / 406mm	6W / bar	325 / bar	3000K	White
EDGE-24-30-W	24" / 610mm	10W / bar	550 / bar	3000K	White
EDGE-32-30-W	32" / 1100mm	13W / bar	750 / bar	3000K	White
EDGE-8-30-BZ	8" / 203mm	3W / bar	150 / bar	3000K	Bronze
EDGE-16-30-BZ	16" / 406mm	6W / bar	325 / bar	3000K	Bronze
EDGE-24-30-BZ	24" / 610mm	10W / bar	550 / bar	3000K	Bronze
EDGE-32-30-BZ	32" / 1100mm	13W / bar	750 / bar	3000K	Bronze

Includes (2) mounting clips with screws, (1) lightbar to power supply connector (GMC-PS-24) and (1) rigid bar to bar connector (EDGE-BB-1) included with each lightbar. NOTE: White bar is supplied with white connectors. Bronze bar is supplied with black connectors.

## PRODUCT NOTES:

Installation instructions and spec sheet available for download.  
View this product on [www.gmlighting.net](http://www.gmlighting.net)

# SLIMEDGE™ 24VDC MODULAR LIGHTBAR CONNECTORS AND ACCESSORIES

SlimEdge in Bronze



## CONNECTORS AND ACCESSORIES (Available in white or black)

Catalog No.	Description
DPPS-24W-24V	24V - 24W - Class 2 power supply with cord and plug
DPPS-36-24V	24V - 36W - Class 2 power supply with cord and plug
DPSP-4-W(B)	4" port splitter - White or Black
DPSP-8-W(B)	8" port splitter - White or Black
EDGE-AB-W	SlimEdge adjustable bracket
EDGE-BB-1-B	SlimEdge to SlimEdge bar to bar connector - Black
EDGE-BB-1-W	SlimEdge to SlimEdge bar to bar connector - White
EDGE-90-B	SlimEdge to SlimEdge 90° connector - Black
EDGE-90-W	SlimEdge to SlimEdge 90° connector - White
EDGE-IC-B	SlimEdge to SlimEdge inside corner connector - Black
EDGE-IC-W	SlimEdge to SlimEdge inside corner connector - White
EDGE-TD-B	SlimEdge touch dimmer - Black
EDGE-TD-W	SlimEdge touch dimmer - White
EDGE-MS-B	SlimEdge mechanical switch - on/off - Black
EDGE-MS-W	SlimEdge mechanical switch - on/off - White
GMC-MF-24-W(B)	24" male to female cable connector - White or Black
GMC-MF-39-W(B)	39" male to female cable connector - White or Black
GMC-MF-60-W(B)	60" male to female cable connector - White or Black
GMC-MM-3-W(B)	3" male to male cable connector - White or Black
GMC-MM-6-W(B)	6" male to male cable connector - White or Black
GMC-MM-12-W(B)	12" male to male cable connector - White or Black
GMC-MM-24-W(B)	24" male to male cable connector - White or Black
GMC-MM-39-W(B)	39" male to male cable connector - White or Black
GMC-MM-60-W(B)	60" male to male cable connector - White or Black
GMC-FF-3-W(B)	3" female to female connector - White or Black
GMC-PS-24-W(B)	24" lightbar to power supply connector - White or Black
GMC-PS-48-W(B)	48" lightbar to power supply connector - White or Black
GMC-PS-60-W(B)	60" lightbar to power supply connector - White or Black
GMC-PS90-60-W(B)	60" fixture to power supply connector - White or Black
GMSB-W(B)	Splice Box in white (W) or black (B) - 2"L x 1"W x 5/8"D

See typical SlimEdge undercabinet layouts and connector dimensions on next page.



EDGE-90-W



EDGE-TD-W  
(DO NOT USE WITH WALL DIMMER)



EDGE-BB-1-W



EDGE-IC-W



EDGE-MS-W  
(DO NOT USE WITH WALL DIMMER)



GMC-MM-6-W



GMC-PS90-60-W(B)





# THE SLIMEDGE™ KITCHEN

Typical kitchen installations involve a series of cabinets that provide the mounting base for SlimEdge fixtures. Make sure that you include the dimensions of fixture and connector when laying out your SlimEdge application.

Locate your 24VDC power supply or out of view\*

Hook your first SlimEdge fixture directly to power. 24" SlimEdge 10W

Use a flexible connector to span the width of this range top.

Add another 24" SlimEdge to your run. 24" SlimEdge 10W

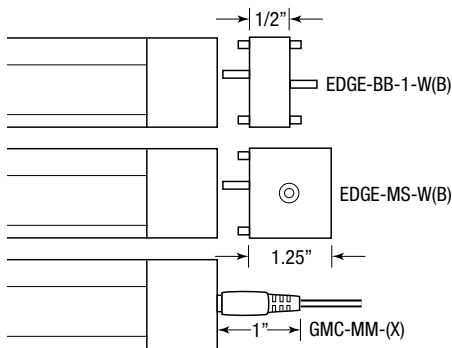
That cove is crying out for illumination! 8" SlimEdge 3W

Finish up your run with a 32" SlimEdge 13W



**TOTAL WATTAGE: 36W**

\*Use our DPPS plug-in power supply for plug-in applications.  
For all other applications, please see our website:  
[www.gmlighting.net](http://www.gmlighting.net)



**“Make sure that you include the dimensions of fixture AND connector when laying out your SlimEdge application.”**



# LARC6 24VDC MODULAR ADJUSTABLE LIGHTBAR

**24  
VOLT**

**DRY  
LOCATION**

**80+  
C R I**

**CLASS  
2**

**5 Yr.  
WARRANTY**

**UL  
C US**



## PRODUCT DESCRIPTION

LARC6 24VDC Architectural LED Linear Lightbar is an 8", 16", 24" or 32" white, rigid and unobtrusive (only 3/8" thickness) dimmable LED Lightbar. LARC6 can be interconnected in series from one 24VDC power source. Designed for undercabinet, commercial, architectural and task applications. Can be used with DPPS power supply - see below.

More power supply options available - page 193  
Dimensioned drawings - see page 132

## KEY FEATURES

- Rated at 3W (8"), 7W (16"), 10W (24") and 13W (32")
- 3000K
- Dimmable
- Class 2
- Maximum run: 16'
- Mounting clips and screws included
- Units join securely together with modular connectors (see below)
- Available in 8", 16", 24" and 32" lengths
- 5 year warranty when used with GM power supplies

## ORDERING INFORMATION

Catalog No.	Length	Wattage	Lumens	Color Temp	Finish
LARC6-8-WW-W	8" / 203mm	3W / bar	200 / bar	3000K	White
LARC6-16-WW-W	16" / 406mm	7W / bar	450 / bar	3000K	White
LARC6-24-WW-W	24" / 610 mm	10W / bar	720 / bar	3000K	White
LARC6-32-WW-W	32" / 1100mm	13W / bar	1100 / bar	3000K	White

Includes (2) mounting clips with screws, (1) lightbar to power supply connector (GMC-PS-24-W) and (1) rigid bar to bar connector (LARC6-BB-1-W) included with each lightbar.

## CONNECTORS AND ACCESSORIES (Available in white or black)

Catalog No.	Description
DPPS-24W-24V	24V - 24W - Class 2 power supply with cord and plug
DPPS-36-24V	24V - 36W - Class 2 power supply with cord and plug
DPSP-4-W(B)	4 port splitter - White or Black
DPSP-8-W(B)	8 port splitter - White or Black
GMC-MF-24-W(B)	24" male to female cable connector - White or Black
GMC-MF-39-W(B)	39" male to female cable connector - White or Black
GMC-MF-60-W(B)	60" male to female cable connector - White or Black
GMC-MM-3-W(B)	3" male to male cable connector - White or Black
GMC-MM-6-W(B)	6" male to male cable connector - White or Black
GMC-MM-12-W(B)	12" male to male cable connector - White or Black
GMC-MM-24-W(B)	24" male to male cable connector - White or Black
GMC-MM-39-W(B)	39" male to male cable connector - White or Black
GMC-MM-60-W(B)	60" male to male cable connector - White or Black
GMC-FF-3-W(B)	3" female to female connector - White or Black

Catalog No.	Description
GMC-PS-24-W(B)	24" lightbar to power supply connector - White or Black
GMC-PS-48-W(B)	48" lightbar to power supply connector - White or Black
GMC-PS-60-W(B)	60" lightbar to power supply connector - White or Black
GMC-PS90-60-W(B)	60" fixture to power supply connector - White or Black
LARC6-TD-W	Rigid inline touch dimmer - white
LARC6-MS-W	Inline master power switch - white
LARC6-OS-W	Inline occupancy sensor - white
GMSB-W (B)	Splice box White or Black - 2"L x 1"W x 5/8"D
EDGE-90-B	90° connector - Black
EDGE-90-W	90° connector - White

Installation instructions and spec sheet available for download.  
View this product on [www.gmlighting.net](http://www.gmlighting.net)



120  
VOLT

TITLE  
24-JA8

27K 30K  
35K



PLUG &  
PLAY

5 Yr.  
WARRANTY



# COVALINEAR 120V SELECTABLE WHITE LINEAR LED LIGHTBAR

Choose between three color temps  
with a click of the switch!



## PRODUCT DESCRIPTION

An Energy Star compliant fully encapsulated driverless 120V architectural LED linear lightbar that enables multi-color temperature selection.

Covalinear is driverless and selectable! Available in 9", 18", 24", 36" or 48" lengths. Rigid and unobtrusive (only 1-1/4" thick), this multi-faceted switchable LED lightbar utilizes a dense array of strategically placed LEDs. Frosted lens assures an even glow over the length of the fixture.

Dimensioned drawings - see page 132

## KEY FEATURES

- Rated at 3.5W (9"), 7W (18"), 9W (24"), 12W (36") and 17W (48")
- Selectable - 2700K, 3000K, 3500K
- 120° viewing angle
- 90+ CRI
- Dimmable with standard Triac dimmer
- Maximum run: 40'
- Fixtures join securely together with flexible lightbar to lightbar connectors (see next page)
- Available in 9", 18", 24", 36" and 48" lengths
- Energy Star listed / Title 24/JA8
- 5 year warranty



## ORDERING INFORMATION

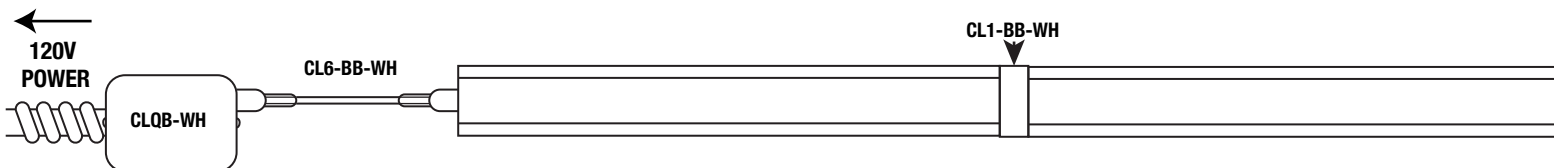
Catalog No.	Length	Wattage	Lumens	CRI	Color Temp
CL9-TUN	9" / 229mm	3.5W	280	90+	SELECTABLE WHITE 2700K, 3000K, 3500K
CL18-TUN	18" / 457mm	6.8W	530	90+	
CL24-TUN	24" / 610mm	9W	685	90+	
CL36-TUN	36" / 914mm	12.4W	930	90+	
CL48-TUN	48" / 1219mm	17W	1230	90+	

Fixture includes (2) sets of mounting clips and screws, 45° pair and flat pair. Includes (1) CL1-BB lightbar to lightbar connector. Fixture must be used with CL Series connectors (next page). All accessories sold separately.

## PRODUCT NOTES:

Installation instructions and spec sheet available for download. View this product on [www.gmlighting.net](http://www.gmlighting.net)

JOIN MULTIPLE COVALINEARS TOGETHER  
FOR LONG RUNS UP TO 40 FEET FROM  
ONE POWER SOURCE

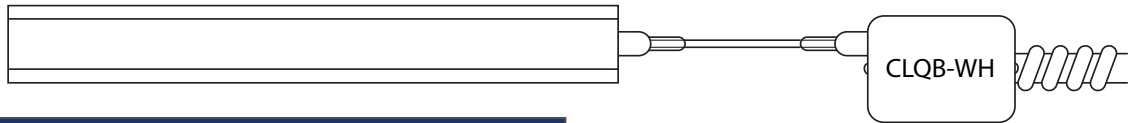


# COVALINEAR CONNECTORS AND MODULAR ACCESSORIES



## CLQB-WH "QUICK BOX" JUNCTION BOX

- 120V
- Terminal block connectors
- Designed for easy mounting
- Multiple knock-outs
- On/off rocker switch
- Use with CL Series connectors

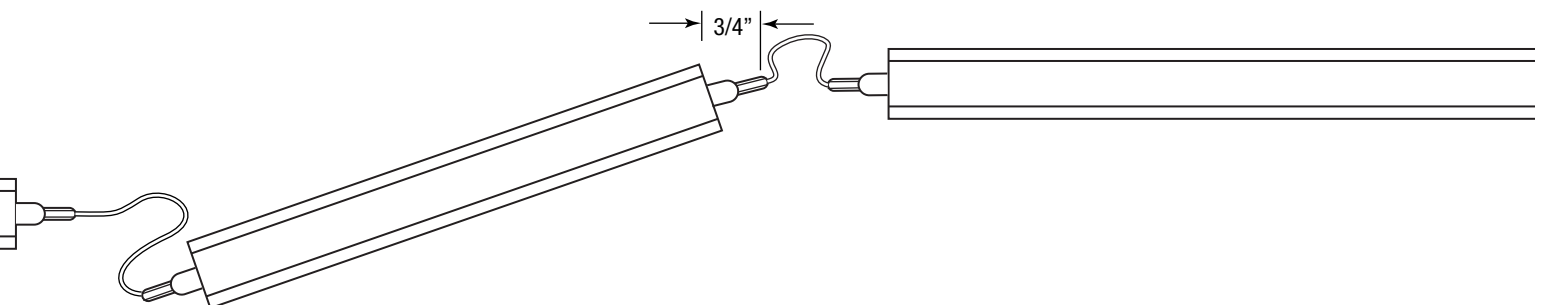


### CLQB-WH QUICK BOX

**CLQB-WH** 120V junction box for undercabinet or other shallow mountings. Multiple knock-outs. On/off switch. 2-3/4"L x 2-1/16"W x 1-1/4"H (see image above)

## CONNECTORS AND ACCESSORIES

Catalog No.	Description
CL1-BB-WH	Covalinear to Covalinear connector
CL6-BB-WH	6" Covalinear to Covalinear adjustable connector
CL12-BB-WH	12" Covalinear to Covalinear adjustable connector
CL24-BB-WH	24" Covalinear to Covalinear adjustable connector
CL36-BB-WH	36" Covalinear to Covalinear adjustable connector
CL6-PC-WH	Covalinear to 120V power - 72" cord and plug
CL6-PCHW-WH	Covalinear to 120V power - 72" for hardwire
CLQB-WH	Junction box with quick connects - White



# LTAB-N 12VDC ALUMINUM HIGH OUTPUT WET LOCATION LED LIGHTBAR

**12 VOLT**

**JWET LOCATION**

**CLASS 2**

**5Yr. WARRANTY**

**ETL Intertek**



## PRODUCT DESCRIPTION

Ideal for outdoor wet bar and commercial kitchen applications. GM Lighting's LTAB-N Series provides high output energy efficient LED lighting in an enclosed sealed aluminum housing. Suitable for installations from -12°F to 120°F. Approved for indoor and outdoor use.

Power supplies are available - see page 193  
Dimensioned drawings - see page 133

## KEY FEATURES

- Rated at 2W (8"), 4W (16") and 6W (24")
- 2700K, 3500K, 5500K
- 120° viewing angle
- Dimmable • Class 2
- Maximum run: 20'
- Mounts with 3M VHB™ double stick tape
- Flexible lightbar to lightbar and lightbar to power supply connectors available (see below)
- Available in 8", 16" and 24" nominal lengths (see ordering information for actual length)
- ETL listed
- 5 year warranty when used with GM power supplies

## ORDERING INFORMATION

Catalog No.	Length	Wattage	Lumens	Color Temp.	Finish
LTAB-N-8-27	7-3/4" / 197mm	2W / bar	101 / bar	2700K	Brushed Aluminum
LTAB-N-16-27	15-1/4" / 387mm	4W / bar	203 / bar	2700K	Brushed Aluminum
LTAB-N-24-27	23-5/8" / 600mm	6W / bar	304 / bar	2700K	Brushed Aluminum
LTAB-N-8	7-3/4" / 197mm	2W / bar	101 / bar	3500K	Brushed Aluminum
LTAB-N-16	15-1/4" / 387mm	4W / bar	203 / bar	3500K	Brushed Aluminum
LTAB-N-24	23-5/8" / 600mm	6W / bar	304 / bar	3500K	Brushed Aluminum
LTAB-N-8-PW	7-3/4" / 197mm	2W / bar	101 / bar	5500K	Brushed Aluminum
LTAB-N-16-PW	15-1/4" / 387mm	4W / bar	203 / bar	5500K	Brushed Aluminum
LTAB-N-24-PW	23-5/8" / 600mm	6W / bar	304 / bar	5500K	Brushed Aluminum

This lightbar includes attached 3M double stick mounting tape, (2) plastic mounting clips, (4) stainless steel screws, (1) male plug to seal end of run and 2-way double stick tape for concealing connectors to mounting surface. (1) 24" lightbar to power supply connector (LTW-24-WP) included.

## PRODUCT NOTES:

Installation instructions and spec sheet available for download.  
View this product and photometrics on [www.gmlighting.net](http://www.gmlighting.net)

When used in an outdoor application, requires outdoor rated 12VDC power supply. See power supply sections starting on page 193.

## CONNECTORS AND ACCESSORIES

Catalog No.	Description
LTCWP-12	12" flexible lightbar to lightbar connector
LTCWP-24	24" flexible lightbar to lightbar connector
LTCWP-36	36" flexible lightbar to lightbar connector
LTCWP-60	60" flexible lightbar to lightbar connector
LTW-24-WP	24" flexible lightbar to power supply connector
LTW-48-WP	48" flexible lightbar to power supply connector
LTW-60-WP	60" flexible lightbar to power supply connector
LTAB-N-SB	(Pair) of swivel brackets with stainless steel screws
GMSB-W (B)	Splice box - White or Black - 2"L x 1"W x 5/8"D



# LTB 12VDC RIGID HIGH OUTPUT LED LIGHTBAR



**12**  
VOLT

DRY  
LOCATION

**CLASS**  
**2**

**5 Yr**  
WARRANTY

ETL  
Intertek

## PRODUCT DESCRIPTION

High output LED lighting for superior lumen performance for a wide variety of lighting applications. GM Lighting's LTB Rigid High Output LED Linear Lightbar Series provides a warm 3500K light source that is easily configurable by utilizing GM Lighting's flexible lightbar to lightbar connectors (below). The LTB Series fixtures are extremely easy to mount with the attached 3M double stick padded mounting tape on the back of each lightbar.

Power supplies available - starting on page 193  
Dimensioned drawings - see page 133

## KEY FEATURES

- Rated at 2W (8") and 4W (16")
- 3500K
- 120° viewing angle
- Dimmable
- Class 2
- Maximum run: 20'
- Mounts with 3M VHB™ double stick tape
- Flexible lightbar to lightbar and lightbar to power supply connectors available (see below)
- Available in 8" and 16" nominal lengths (see ordering information for actual length)
- ETL listed
- 5 year warranty when used with GM power supplies

## ORDERING INFORMATION

Catalog No.	Length	Wattage	Lumens	Color Temp.	Finish
<b>LTB-8</b>	7-3/4" / 197mm	2W / bar	132 / bar	3500K	White
<b>LTB-16</b>	15-1/4" / 387mm	4W / bar	264 / bar	3500K	White

This lightbar includes attached 3M double stick mounting tape and (1) lightbar to lightbar power supply connector.

## CONNECTORS AND ACCESSORIES

Catalog No.	Description
<b>LTBC-3</b>	3" flexible lightbar to lightbar connector
<b>LTBC-12</b>	12" flexible lightbar to lightbar connector
<b>LTBC-24</b>	24" flexible lightbar to lightbar connector
<b>LTBC-36</b>	36" flexible lightbar to lightbar connector
<b>LTBC-60</b>	60" flexible lightbar to lightbar connector
<b>LTBPC-6</b>	6" flexible lightbar to power supply connector
<b>LTBPC-24</b>	24" flexible lightbar to power supply connector
<b>LTBPC-48</b>	48" flexible lightbar to power supply connector
<b>LTBPC-60</b>	60" flexible lightbar to power supply connector
<b>LTMC</b>	(Pair) mounting clips with 4 screws
<b>GMSB-W (B)</b>	Splice box - White or Black - 2"L x 1"W x 5/8"D

## PRODUCT NOTES:

Installation instructions and spec sheet available for download. View this product and photometrics on [www.gmlighting.net](http://www.gmlighting.net)

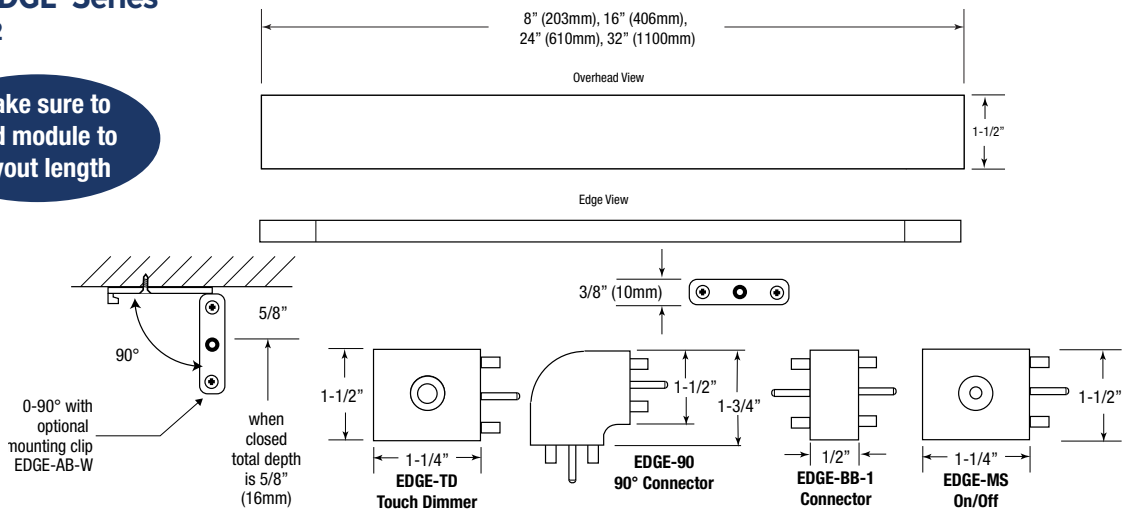
Dry location compatible with electronic / magnetic power supplies. See power supply sections beginning on page 193

# LIGHTBAR FIXTURE DIAGRAMS

## SLIMEDGE™ Series

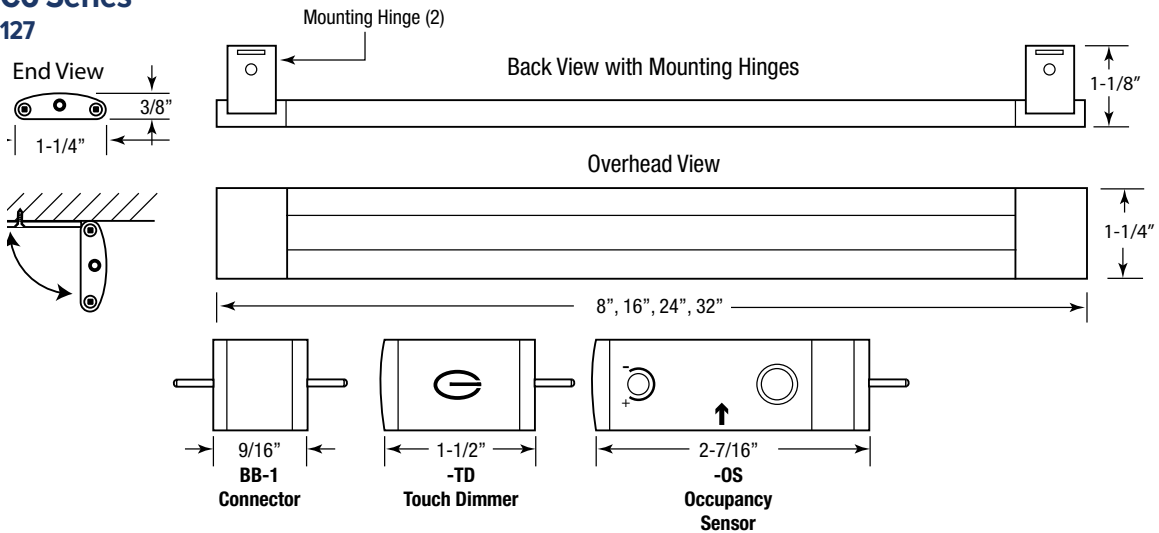
Page 122

Make sure to add module to layout length



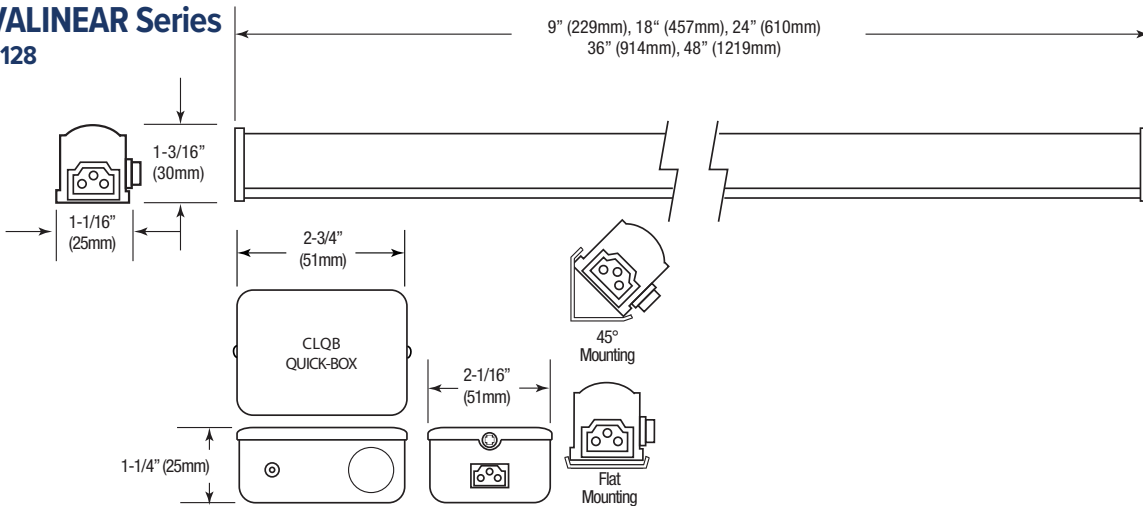
## LARC6 Series

Page 127



## COVALINEAR Series

Page 128



**PRODUCT NOTES:**

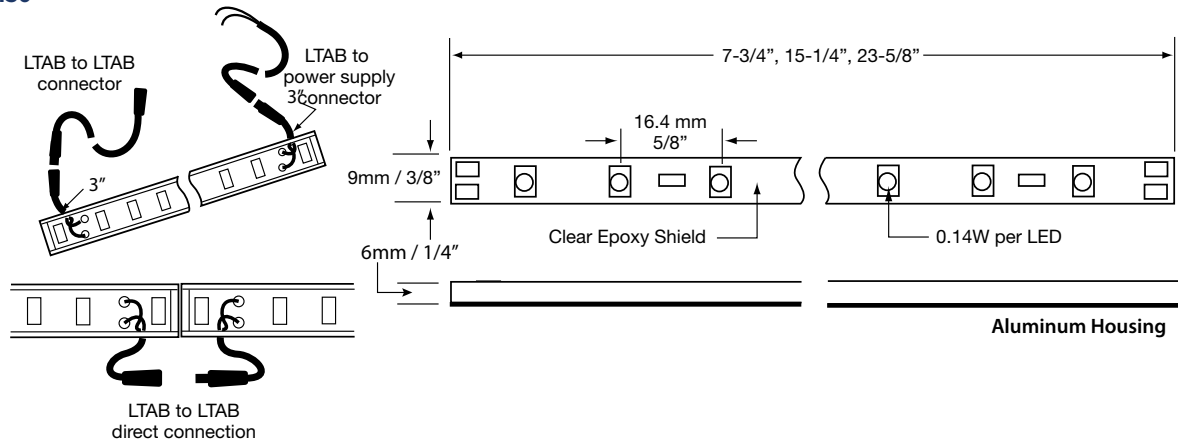
Installation instructions and spec sheet available for download.

View this product on [www.gmlighting.net](http://www.gmlighting.net)

# LIGHTBAR FIXTURE DIAGRAMS

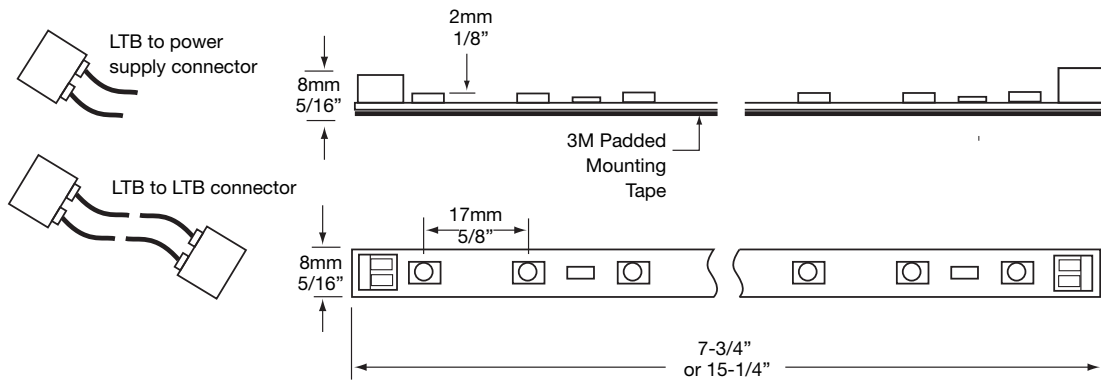
## LTAB Series

Page 130



## LTB Series

Page 131



# LIGHTBAR COMPARATIVE ANALYSIS

LightBar Series	Voltage	Wattage	Lengths (Actual)	Mounting Depth	CRI	Lumens per Bar	Color Temp
LTAB SERIES	12VDC	3W/ft.	7-3/4", 15-1/4", 23-5/8"	1/4"	80	8" - 101 16" - 203 24" - 304	2700K, 3500K 5500K
LTB SERIES	12VDC	3W/ft.	7-3/4", 15-1/4"	5-16"	80	8" - 132 16" - 264	3500K
SLIMEDGE SERIES	24VDC	4W/ft.	8", 16", 24" 32"	5/8"	90+	8" - 150 16" - 325 24" - 550 32" - 750	2700K, 3000K
LARC6 SERIES	24VDC	4W/ft.	8", 16", 24", 32"	3/8"	80+	8" - 200 16" - 450 24" - 720 32" - 1100	3000K
COVALINEAR SERIES	120V	4.5W/ft. (approx.)	9", 18", 24", 36", 48"	1-3/16"	90+	Depends on color temp and length. See page 116	2700K, 3000K, 3500K

Specifications are subject to change without notice. Please refer to website ([www.gmlighting.net](http://www.gmlighting.net)) for the latest specification info.

### PRODUCT NOTES:

Installation instructions and spec sheet available for download.

View these products on [www.gmlighting.net](http://www.gmlighting.net)





# Puck Lights



12VDC SURFACE / RECESS MOUNT  
LED SLIM PUCK..... 136



24VDC SURFACE / RECESS MOUNT  
LED SLIM PUCK.....137



12VDC 3W HIGH POWER  
SURFACE OR RECESS MOUNT  
LED DIMMABLE PUCK .. 138



12VDC RECESS MOUNT  
LED SLIM PUCK MINI.... 139



CHROMADIM TUNABLE WHITE  
LED PUCK LIGHT ..... 110

# 12VDC SURFACE / RECESS MOUNT LED SLIM PUCK

**12 VOLT**

**DRY LOCATION**

**CLASS 2**

**80+ CRI**

**DIM**

**5 Yr. WARRANTY**

**ETL Intertek**



### PRODUCT DESCRIPTION

Pucks have come a long way since we first introduced them to our customers over 10 years ago. Our 12V LED Slim Puck incorporates superior quality matched with the latest LED technology.

At a slim 1/4" depth, Slim Puck employs a unique trim that is captured to the recess or surface mounting, magnetically. At 2.2W, Slim Puck delivers up to 180 lumens in either 2700K, 3000K or 4000K.

Fixture dimensions: Page 141

NOTE: We recommend using this product with PSD Series power supplies, page 200, or LineDRIVE electronic dimmable power supplies, starting on page 193.

DO NOT USE WITH MAGNETIC POWER SUPPLY.

### KEY FEATURES

- 12VDC operation
- 2700K, 3000K, 4000K
- Dimmable
- 120° beam spread
- Surface or recess mount
- Magnetic cover plates
- 48" leads
- 5 year warranty when used with GM power supplies



### ORDERING INFORMATION

Catalog No.	Dimensions	Wattage	Lumens	Color Temp.	CRI	Finish
SP-2-27-W	3" dia. x 1/4" depth	2.2W	165	2700K	80+	White
SP-2-27-BNK	3" dia. x 1/4" depth	2.2W	165	2700K	80+	Brushed Nickel
SP-2-27-B	3" dia. x 1/4" depth	2.2W	165	2700K	80+	Black
SP-2-27-BZ	3" dia. x 1/4" depth	2.2W	165	2700K	80+	Bronze
SP-2-30-W	3" dia. x 1/4" depth	2.2W	170	3000K	80+	White
SP-2-30-BNK	3" dia. x 1/4" depth	2.2W	170	3000K	80+	Brushed Nickel
SP-2-30-B	3" dia. x 1/4" depth	2.2W	170	3000K	80+	Black
SP-2-30-BZ	3" dia. x 1/4" depth	2.2W	170	3000K	80+	Bronze
SP-2-40-W	3" dia. x 1/4" depth	2.2W	180	4000K	80+	White
SP-2-40-BNK	3" dia. x 1/4" depth	2.2W	180	4000K	80+	Brushed Nickel
SP-2-40-B	3" dia. x 1/4" depth	2.2W	180	4000K	80+	Black
SP-2-40-BZ	3" dia. x 1/4" depth	2.2W	180	4000K	80+	Bronze

### PRODUCT NOTES:

Installation instructions and spec sheet available for download.  
View this product on [www.gmlighting.net](http://www.gmlighting.net)



## 24VDC SURFACE / RECESS MOUNT LED SLIM PUCK



### PRODUCT DESCRIPTION

A 3" (75mm) diameter circular surface (with mounting ring) or recessed (without mounting ring) puck. Constructed of a high quality aluminum body with white polycarbonate diffuser lens for low glare. Available in White, Black, Bronze and Brushed Nickel trim.

Fixture dimensions: Page 141

NOTE: We recommend using this product with PSD Series power supplies, page 200, or LineDRIVE electronic dimmable power supplies, starting on page 193.

DO NOT USE WITH MAGNETIC POWER SUPPLY.

### KEY FEATURES

- 24VDC operation
- 2.2W
- 2700K / 3000K
- Multiple finishes
- Dimmable w/ ELV drivers
- Surface or recess mount
- Magnetic cover plates
- 5 year warranty when used with GM power supplies
- Ambient Operating Temperature: -4°F to 113°F



### ORDERING INFORMATION

Catalog No.	Dimensions	Wattage	Lumens	Color Temp.	CRI	Finish
PL24V-27-W	3" dia. x 1/4" depth	2.2W	165	2700K	80+	White
PL24V-27-BNK	3" dia. x 1/4" depth	2.2W	165	2700K	80+	Brushed Nickel
PL24V-27-B	3" dia. x 1/4" depth	2.2W	165	2700K	80+	Black
PL24V-27-BZ	3" dia. x 1/4" depth	2.2W	165	2700K	80+	Bronze
PL24V-30-W	3" dia. x 1/4" depth	2.2W	170	3000K	80+	White
PL24V-30-BNK	3" dia. x 1/4" depth	2.2W	170	3000K	80+	Brushed Nickel
PL24V-30-B	3" dia. x 1/4" depth	2.2W	170	3000K	80+	Black
PL24V-30-BZ	3" dia. x 1/4" depth	2.2W	170	3000K	80+	Bronze

### PRODUCT NOTES:

Installation instructions and spec sheet available for download.  
View this product on [www.gmlighting.net](http://www.gmlighting.net)

# 12VDC 3W HIGH POWER LED ACCENT/TASK

- 12 VOLT**
- DRY LOCATION**
- CLASS 2**
- 90+ CRI**
- DIM**
- 5 Yr. WARRANTY**
- ETL Intertek**



### PRODUCT DESCRIPTION

A surface or recess mount 12VDC, 3W high power 3000K LED puck that is available in white, black, bronze or brushed nickel. 220 lumens. The lens delivers even light distribution with a wide 120° beam.

### KEY FEATURES

- 12VDC operation
- 3000K
- 120° beam spread
- Dimmable with magnetic and electronic power supply
- 2-7/8" dia. x 1/2" depth
- 90+ CRI
- 48" leads
- ETL
- 5 year warranty when used with GM power supplies

**NEW LOOK  
AND  
IMPROVED  
PERFORMANCE**

### ORDERING INFORMATION

Catalog No.	Dimensions	Wattage	Lumens	Color Temp.	CRI	Finish
SDP-3-W	2-7/8" dia. x 1/2" depth	3W	220	3000K	90+	White
SDP-3-B		3W	220	3000K	90+	Black
SDP-3-BZ		3W	220	3000K	90+	Bronze
SDP-3-BNK		3W	220	3000K	90+	Brushed Nickel

### PRODUCT NOTES:

Installation instructions and spec sheet available for download.  
View this product on [www.gmlighting.net](http://www.gmlighting.net)

# 12VDC RECESS MOUNT LED SLIM PUCK MINI

**12 VOLT**

**DRY LOCATION**

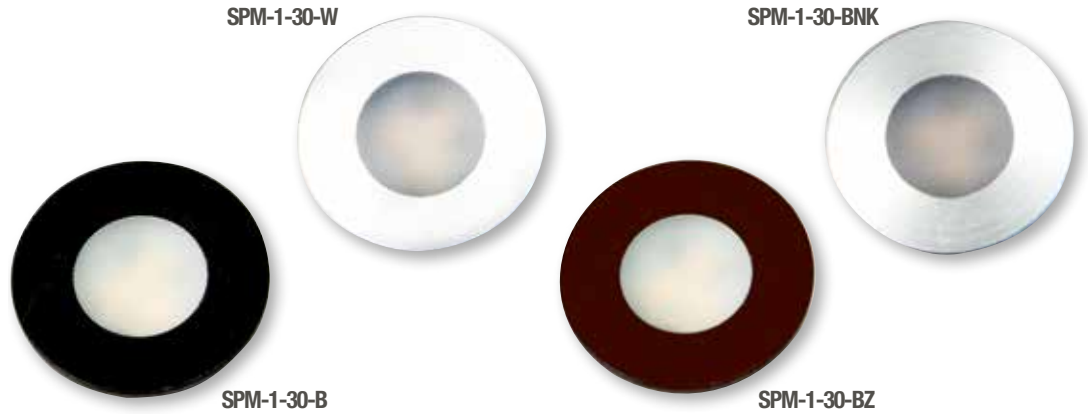
**CLASS 2**

**80+ CRI**

**DIM**

**5 Yr. WARRANTY**

**ETL Intertek**



## PRODUCT DESCRIPTION

Perfect for compact areas where superior lighting is key and mounting depth is limited, Slim Puck Mini is a spring loaded, easy to mount recess puck that delivers up to 95 lumens in either 3000K or 4000K.

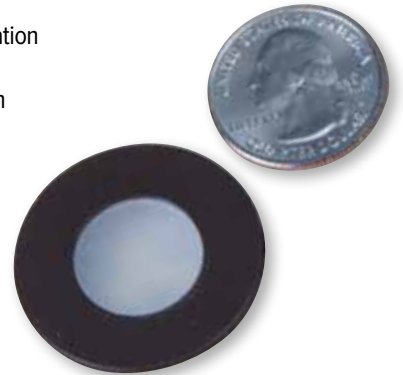
- Desk / book shelf lighting
- Retail display
- Elevator
- Interior accent
- Mobile home and restricted space lighting

Fixture dimensions: Page 141

NOTE: We recommend using this product with PSD Series power supplies, page 200, or LineDRIVE electronic dimmable power supplies, starting on page 193.

## KEY FEATURES

- 12VDC operation
- 3000K, 4000K
- Dimmable
- Recess Mount Only
- Spring loaded installation
- 48" leads
- 5 year warranty when used with GM power supplies



## ORDERING INFORMATION

Catalog No.	Dimensions	Wattage	Lumens	Color Temp.	CRI	Finish
SPM-1-30-W	1-5/16" dia. x 9/16" depth	1.2W	90	3000K	80+	White
SPM-1-30-BNK	1-5/16" dia. x 9/16" depth	1.2W	90	3000K	80+	Brushed Nickel
SPM-1-30-B	1-5/16" dia. x 9/16" depth	1.2W	90	3000K	80+	Black
SPM-1-30-BZ	1-5/16" dia. x 9/16" depth	1.2W	90	3000K	80+	Bronze
SPM-1-40-W	1-5/16" dia. x 9/16" depth	1.2W	95	4000K	80+	White
SPM-1-40-BNK	1-5/16" dia. x 9/16" depth	1.2W	95	4000K	80+	Brushed Nickel
SPM-1-40-B	1-5/16" dia. x 9/16" depth	1.2W	95	4000K	80+	Black
SPM-1-40-BZ	1-5/16" dia. x 9/16" depth	1.2W	95	4000K	80+	Bronze

## PRODUCT NOTES:

Installation instructions and spec sheet available for download.

View this product on [www.gmlighting.net](http://www.gmlighting.net)

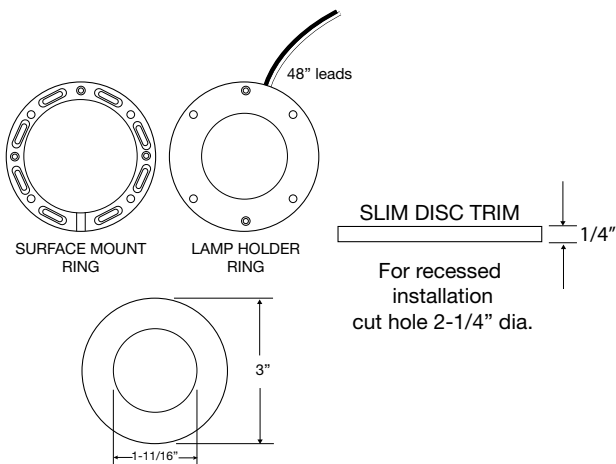




# PUCK DIAGRAMS

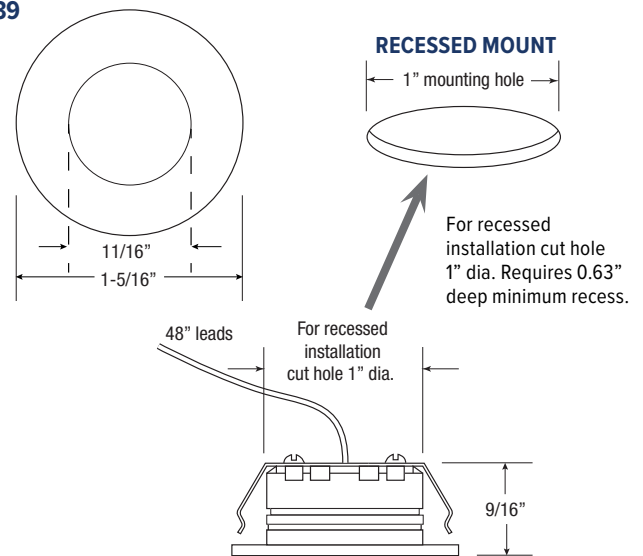
## 12VDC SP/24VDC PL LED SLIM PUCK

Page 136, 137



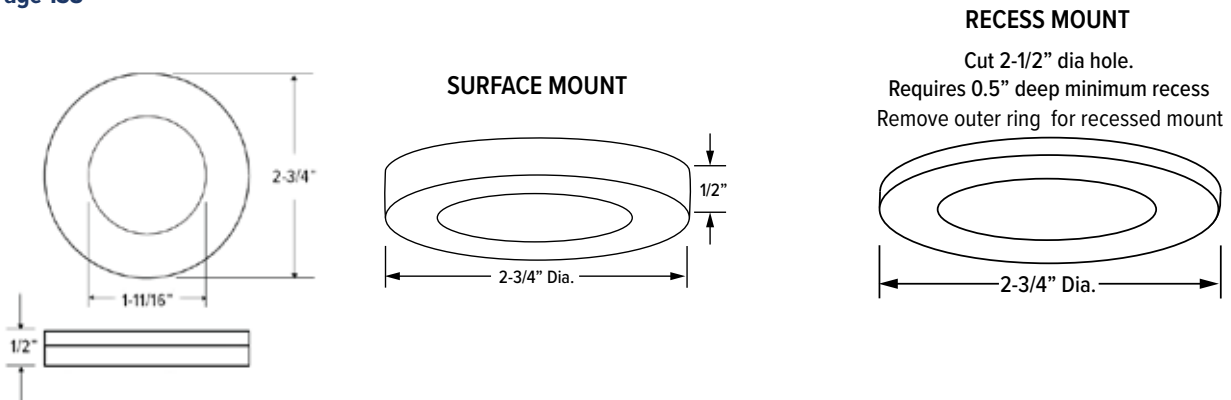
## LED SPM Series SLIM PUCK MINI

Page 139



## 12VDC SDP Series 3W HIGH POWER PUCK

Page 138



## PUCKS COMPARATIVE ANALYSIS

Puck Series	Voltage	Wattage	Dimensions	Mounting Depth	CRI	Lumens	Color Temps
SP-2 SLIM PUCK	12VDC	2.2W	3" dia.	1/4"	80+	27K - 165 30K - 170 40K - 180	2700K, 3000K, 4000K
PL24V SLIM PUCK	24VDC	2.2W	3" dia.	1/4"	80+	27K - 165 30K - 170	2700K, 3000K
SPM-1 SLIM PUCK MINI	12VDC	1.2W	1-5/16" dia.	9/16"	80+	30K - 90 40K - 95	3000K, 4000K
SDP3 3W HIGH POWER PUCK	12VDC	3W	2-3/4" dia.	1/2"	90+	30K - 220	3000K

Specifications are subject to change without notice. Please refer to website ([www.gmlighting.net](http://www.gmlighting.net)) for the latest specification info





# Surface Mount Downlights



- S SERIES 120V SURFACE DOWNLIGHT
- S4 TITLE 24 CLOSET RATED .....144
- S6 TITLE 24 CLOSET RATED .....144
- S9 SURFACE MOUNT..... 145
- R6 SURFACE MOUNT ..... 146



- PROXIMA 120V LED SENSOR CLOSET RATED LIGHTING .....147



- GEOTASK® SELECTABLE ..... 148



- GEOTASK® SQUARE ..... 150

# 120VAC SURFACE MOUNT WET LOCATION / TITLE 24 DOWNLIGHT



S6-3090-WH

**120 VOLT**

**JWET LOCATION**

**90+ CRI**

**TITLE 24/JA8**

**ADA**

**CLOSET**

**5Yr. WARRANTY**

**ETL Intertek**

## PRODUCT DESCRIPTION

A driverless, closet rated, wet location and Title 24 approved circular surface mount downlight that is available with a recessed kit for mounting into existing cans. The S4 and S6 feature a powder coated metal housing with white opal lens and full gasketing. Energy Star certified to help you save energy.

NOTE: WET LOCATION LISTED FOR SHOWERS AND PROTECTED CEILINGS

Fixture dimensions: Page 152

## KEY FEATURES

- 120V
- 2700K, 3000K or 4000K
- 12W / 15W
- Dimmable (Triac)
- Title 24 / JA8
- Suitable for use in closets, compliant with NFPA 70, NEC section 410.16 (A)(3) and 410.16 (C)(5)
- Powder coated metal housing with white opal diffuser
- Universal mounting bracket for easy installation
- Retrofit mounting kit available (see below)
- Wet location
- 90+ CRI
- Energy Star • ADA • 5 year warranty



## ORDERING INFORMATION

Catalog No.	Dimensions	Wattage	Lumens	CRI	Color Temp.	Finish
S4-2790-WH	6" dia. x 1-1/2" depth	12W	540	90+	2700K	White
S6-2790-WH	7-1/4" dia. x 1-3/8" depth	15W	920	90+	2700K	White
S4-3090-WH	6" dia. x 1-1/2" depth	12W	670	90+	3000K	White
S6-3090-WH	7-1/4" dia. x 1-3/8" depth	15W	950	90+	3000K	White
S4-4090-WH	6" dia. x 1-1/2" depth	12W	770	90+	4000K	White
S6-4090-WH	7-1/4" dia. x 1-3/8" depth	15W	1050	90+	4000K	White

## MOUNTING ACCESSORIES

Catalog No.	Description
S4-RKT	Retrofit kit for S4. Includes hardware and screw-in 120V adapter.
S6-RKT	Retrofit kit for S6. Includes hardware and screw-in 120V adapter.

## PRODUCT NOTES:

Installation instructions and spec sheet available for download.  
View this product on [www.gmlighting.net](http://www.gmlighting.net)

# 120VAC SURFACE MOUNT WET LOCATION DOWNLIGHT

S9-2790-WH



**120 VOLT**

**JWET LOCATION**

**90+ CRI**

**ADA**

**5 Yr. WARRANTY**

**ETL Intertek**

### PRODUCT DESCRIPTION

Continuing in the tradition of the S4 and S6 Series, our S9 Series boasts superior 90+ CRI optics as well as Energy Star certification. At 27W and available in 2700K, 3000K and 4000K this dimmable fixture offers maintenance free operation.

NOTE: WET LOCATION LISTED FOR SHOWERS AND PROTECTED CEILINGS

Fixture dimensions: Page 152

### KEY FEATURES

- 120V
- 2700K, 3000K or 4000K
- 27W
- Dimmable (Triac)
- Powder coated metal housing with white opal diffuser
- Universal mounting bracket for easy installation
- Wet location
- 90+ CRI
- Energy Star listed
- 5 year warranty



### ORDERING INFORMATION

Catalog No.	Dimensions	Wattage	Lumens	CRI	Color Temp.	Finish
S9-2790-WH	9-1/2" dia. x 1-3/8" depth	27W	1800	90+	2700K	White
S9-3090-WH	9-1/2" dia. x 1-3/8" depth	27W	2000	90+	3000K	White
S9-4090-WH	9-1/2" dia. x 1-3/8" depth	27W	2100	90+	4000K	White

### PRODUCT NOTES:

Installation instructions and spec sheet available for download.  
View this product on [www.gmlighting.net](http://www.gmlighting.net)

### PERFECT FOR:

- General lighting and large areas
- Commercial and Institutional Lighting
- Downlighting
- Hospitality corridor lighting
- Lab and medical facility lighting
- Commercial kitchen lighting
- Study hall and task lighting



# 120VAC R6 ECONOMY SERIES SURFACE MOUNT DAMP LOCATION / TITLE 24 DOWNLIGHT



R6-3090-WH

120  
VOLT

JWET  
LOCATION

90+  
CRI

TITLE  
24/JA8

ADA

CLOSET

5Yr.  
WARRANTY

Intertek

## PRODUCT DESCRIPTION

A closet rated, wet location and Title 24 approved circular surface mount downlight that features white powder coat steel housing with white opal lens and full gasketing. Mounts to standard fixture box or with recessed R6-RKT mounting kit, ordered separately - See below.

NOTE: WET LOCATION LISTED FOR SHOWERS AND PROTECTED CEILINGS

Fixture dimensions: Page 152

## KEY FEATURES

- 120V
- 2700K, 3000K or 4000K
- 15W
- Dimmable (Triac)
- Title 24 / JA8
- Suitable for use in closets, compliant with NFPA 70, NEC section 410.16 (A)(3) and 410.16 (C)(5)
- Powder coated metal housing with white opal diffuse
- Universal mounting bracket for easy installation
- Retrofit mounting kit available (see below)
- Wet location
- 90+ CRI
- Energy Star • ADA • 3 year warranty



## ORDERING INFORMATION

Catalog No.	Dimensions	Wattage	Lumens	CRI	Color Temp.	Finish
R6-2790-WH	7-3/8" dia. x 1-1/4" depth	15W	830	90+	2700K	White
R6-3090-WH	7-3/8" dia. x 1-1/4" depth	15W	870	90+	3000K	White
R6-4090-WH	7-3/8" dia. x 1-1/4" depth	15W	900	90+	4000K	White
R6-2790-BN	7-3/8" dia. x 1-1/4" depth	15W	830	90+	2700K	Brushed Nickel
R6-3090-BN	7-3/8" dia. x 1-1/4" depth	15W	870	90+	3000K	Brushed Nickel
R6-4090-BN	7-3/8" dia. x 1-1/4" depth	15W	900	90+	4000K	Brushed Nickel

## MOUNTING ACCESSORIES

Catalog No.	Description
R6-RKT	Retrofit kit for R6 fixture

**PRODUCT NOTES:**  
Installation instructions and spec sheet available for download.  
View this product on [www.gmlighting.net](http://www.gmlighting.net)

# 120V PROXIMA LED SURFACE PROXIMITY SENSOR DOWNLIGHT

**120 VOLT**

**JWET LOCATION**

**90+ CRI**

**CLOSET**

**TITLE 24-JA8**

**5 Yr. WARRANTY**

**ETL US Intertek**



PRX-2790-WH

**SELECTABLE WHITE  
VERSION  
COMING SOON**

## PRODUCT DESCRIPTION

Proxima is a 120V low profile, wet location, closet rated surface mount luminaire that features an integral motion / proximity sensor that illuminates its 90+ CRI LED source when the fixture senses that someone has entered its space. No more searching for the light switch!

NOTE: WET LOCATION LISTED FOR SHOWERS AND PROTECTED CEILINGS

Fixture dimensions: Page 152

## KEY FEATURES

- 120V
- 2700, 3000K or 4000K
- 15W
- Title 24
- Not Dimmable
- Universal mounting bracket for easy installation
- Suitable for use in closets, compliant with NFPA 70, NEC section 410.16 (A)(3) and 410.16 (C)(5)
- Wet location
- 90+ CRI
- Energy Star listed
- 5 year warranty



## ORDERING INFORMATION

Catalog No.	Dimensions	Wattage	Lumens	CRI	Color Temp	Finish
PRX-2790-WH	8" dia. x 1-3/8" depth	15W	950	90+	2700K	White
PRX-3090-WH	8" dia. x 1-3/8" depth	15W	975	90+	3000K	White
PRX-4090-WH	8" dia. x 1-3/8" depth	15W	1000	90+	4000K	White

Limited inventory. While supplies last. Selectable White version coming soon. See below.

Catalog No.	Dimensions	Wattage	CRI	Color Temp	Lumens	Finish
PRX-TUN-WH	8" dia. x 1-3/8" depth	15W	90+	Selectable: 2700, 3000K, 4000K	770, 870, 980	White

## PRODUCT NOTES:

Installation instructions and spec sheet available for download.  
View this product on [www.gmlighting.net](http://www.gmlighting.net)

**Watch the  
Proxima Video!**



# 120V GEOTASK SELECTABLE WET LOCATION DISCS WITH EDGE-LIT TECHNOLOGY

GM-RND8-TUN-WH



## PRODUCT DESCRIPTION

GeoTask™ inspires a world of applications through nature’s most elemental form. With the ability to switch between 2700K, 3000K and 4000K in round 5”, 8” and 12” nominal diameters, GeoTask is a star in any performance venue from task to hospitality, and from residential to commercial lighting applications in an Energy Star rated, wet location luminaire.

NOTE: WET LOCATION LISTED FOR SHOWERS AND PROTECTED CEILING

Fixture dimensions: Page 153

## KEY FEATURES

- 120V
- Selectable - 2700K, 3000K, 4000K
- Dimmable (Triac)
- Shallow profile
- Supplied with universal mounting plate
- 90+ CRI
- Wet Location (IP54 - Ceiling Mount Only)
- Edge-Lit Technology for diode-free illumination
- ADA Compliant (wall mounted)
- Title 24 / JA8
- Energy Star
- 5 year warranty



**120 VOLT**

**TITLE 24-JA8**

**90+ CRI**

27K 30K  
40K

**JWET LOCATION**

**ADA**

**IP 54**

**5Yr. WARRANTY**

**ETL Intertek**

## ORDERING INFORMATION

Catalog No.	Diameter (nominal)	Wattage	Lumens	CRI	Finish
GM-RND5-TUN-WH	5” Dia.	10W	550, 600, 650	90+	WHITE
GM-RND8-TUN-WH	8” Dia.	15W	850, 900, 950	90+	WHITE
GM-RND12-TUN-WH	12” Dia.	23W	1450, 1475, 1500	90+	WHITE

## PRODUCT NOTES:

Installation instructions and spec sheet available for download.

View this product on [www.gmlighting.net](http://www.gmlighting.net)

Watch the  
GeoTask Video!







# GEOTASK™ 120V 90+ CRI WET LOCATION SURFACE MOUNT LIGHT SQUARES

120 VOLT

TITLE 24-JA8

90+ CRI

27K 30K 40K

J WET LOCATION

ADA

IP 54

5Yr. WARRANTY

ETL Intertek



SELECTABLE WHITE  
VERSION  
COMING SOON

## PRODUCT DESCRIPTION

GeoTask™ 120V 90 CRI Wet Location LED Surface Mount Light Squares are perfect for accent lighting, hospitality lighting, task lighting, light mosaics, entertainment centers kitchen, bath and vanity, residential and commercial lighting. Complies with ADA when wall mounted.

NOTE: WET LOCATION LISTED FOR SHOWERS AND PROTECTED CEILINGS

Fixture dimensions: Page 153

## KEY FEATURES

- 120V
- 3000K or 4000K
- Dimmable (Triac)
- Shallow profile
- Supplied with universal mounting plate
- 90+ CRI
- Wet Location (IP54 - Ceiling Mount Only)
- Edge-Lit Technology for diode-free illumination
- ADA Compliant (wall mounted)
- Title 24 / JA8
- Energy Star
- 5 year warranty



## ORDERING INFORMATION

Catalog No.	Nominal Dimensions	Wattage	Lumens	CRI	Color Temp.	Finish
GM-SLD4-30-WH	4" sq. x 5/8" depth	10W	600	90+	3000K	White
GM-SLD4-40-WH	4" sq. x 5/8" depth	10W	650	90+	4000K	White
GM-SLD6-30-WH	6" sq. x 5/8" depth	15W	900	90+	3000K	White
GM-SLD6-40-WH	6" sq. x 5/8" depth	15W	950	90+	4000K	White
GM-SLD12-30-WH	12" square x 5/8" depth	23W	1500	90+	3000K	White
GM-SLD12-40-WH	12" square x 5/8" depth	23W	1550	90+	4000K	White

Limited inventory. While supplies last. Selectable White version coming soon. See below.

Catalog No.	Nominal Dimensions	Wattage	CRI	Color Temp.	Lumens	Finish
GM-SLD4-TUN	4" sq. x 5/8" depth	10W	90+	Selectable: 2700K, 3000K, 4000K	540, 590, 610	White
GM-SLD6-TUN	6" sq. x 5/8" depth	15W	90+		850, 910, 930	White
GM-SLD12-TUN	12" square x 5/8" depth	23W	90+		1270, 1380, 1490	White

## PRODUCT NOTES:

Installation instructions and spec sheet available for download.

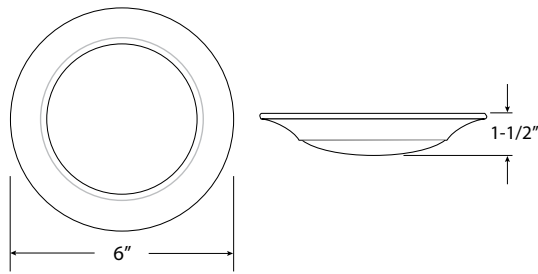
View this product on [www.gmlighting.net](http://www.gmlighting.net)



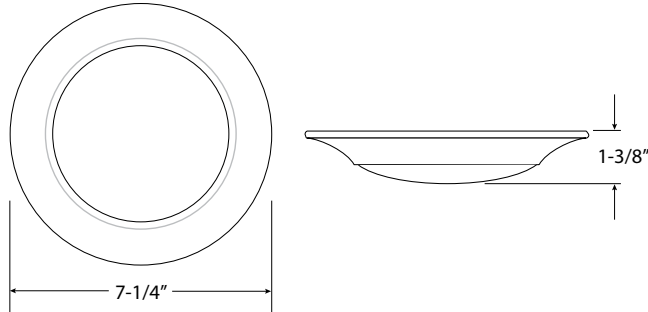


# 120V SURFACE MOUNT FIXTURE DIAGRAMS

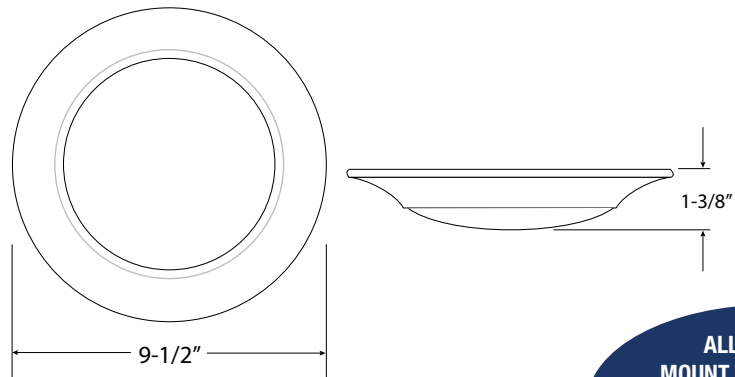
**S4 Series**  
Page 144



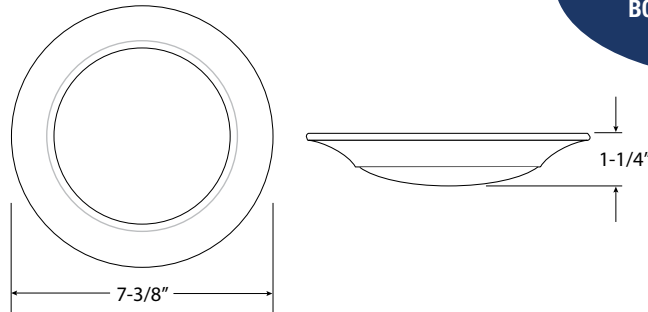
**S6 Series**  
Page 144



**S9 Series**  
Page 145



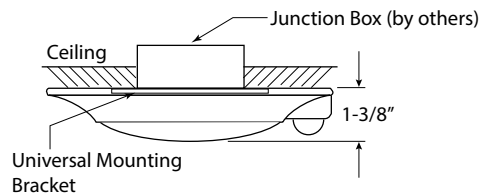
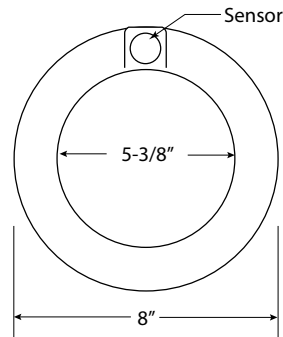
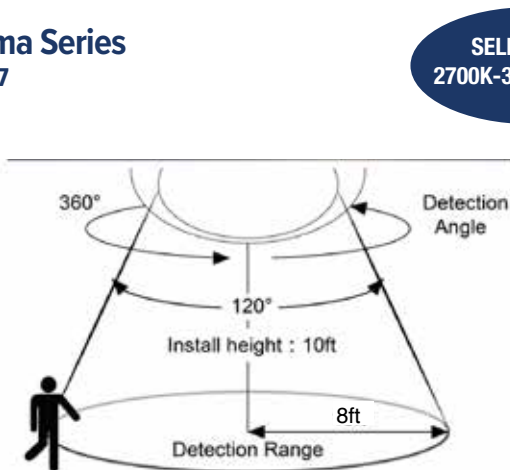
**R6 Series**  
Page 146



**ALL FIXTURES  
MOUNT TO OCTAGONAL  
JUNCTION BOX AND 4" JUNCTION  
BOX WITH ROUND MUD  
RING BY OTHERS**

**Proxima Series**  
Page 147

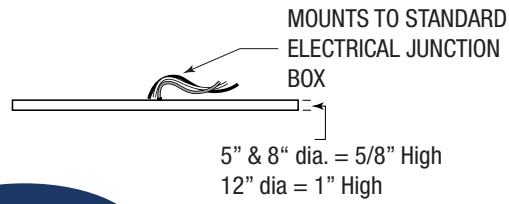
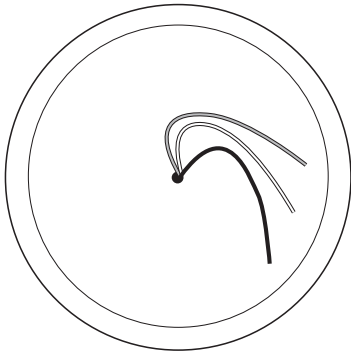
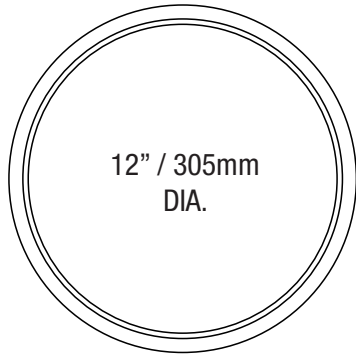
**SELECTABLE  
2700K-3000K-4000K**



# 120V SURFACE MOUNT FIXTURE

## GEOTASK™ Selectable

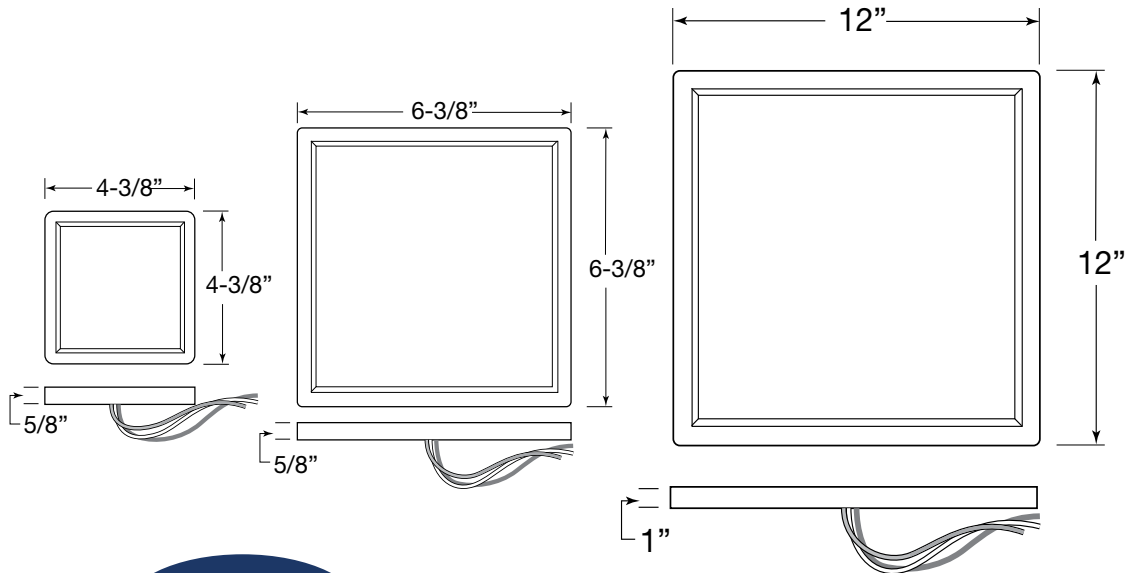
Series  
Page 148



**SELECTABLE**  
2700K-3000K-4000K

## GEOTASK™ Series

Page 150



**SELECTABLE**  
2700K-3000K-4000K

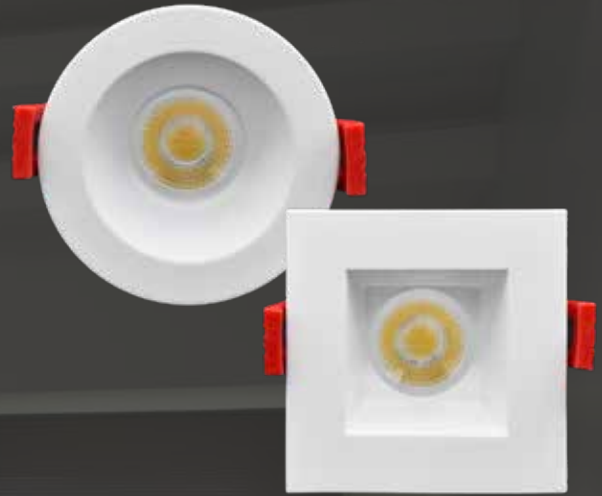
**ALL FIXTURES  
MOUNT TO OCTAGONAL  
JUNCTION BOX AND 4" JUNCTION  
BOX WITH ROUND MUD  
RING BY OTHERS**







# MiniTask Selectable Mini Downlights



## 120V MiniTask Downlights

Round .....	156
Square .....	156
Round Adjustable .....	157
Round Trimless .....	158
Square Trimless .....	158
Round Adjustable Trimless .....	158



# MINITASK

## 120V RECESSED MOUNT

### SELECTABLE LED

### MINI DOWNLIGHTS

**MINI SIZE**  
**HIGH PERFORMANCE**  
**MODERN LOOK**

**120 VOLT**

**JWET LOCATION**

**90+ CRI**

**TITLE 24**

**5 Yr. WARRANTY**

**ETL Intertek**



MTR1/2-5CCT-W



MTS1/2-5CCT-W

#### PRODUCT DESCRIPTION

Low profile recessed MiniTask downlights with selectable 5CCT and 90+ CRI light source. Available in 1" and 2", round or square in white or black color. The fixture is fully dimmable. No power supply required.

NOTE: WET LOCATION LISTED FOR SHOWERS AND PROTECTED CEILINGS

Fixture dimensions: Page 159

#### KEY FEATURES

- 120V
- Multiple wattages
- Trim styles - square and round
- Trim sizes - 1" and 2"
- Finishes - black and white
- 5CCT selectable switch (2700K / 3000K / 3500K / 4000K / 5000K)
- Dimmable ELV
- 38° beam angle
- 90+ CRI
- Wet location

#### ORDERING INFORMATION

Catalog No.	Dimensions	Format	Wattage	Color Temp.	Lumens in 3500K	CRI	Finish
MTR1-5CCT-W	1"	Round	7W	5CCT Selectable: 2700K 3000K 3500K 4000K 5000K	495lm	90+	White
MTR1-5CCT-B	1"	Round	7W		495lm	90+	Black
MTR2-5CCT-W	2"	Round	15W		1080lm	90+	White
MTR2-5CCT-B	2"	Round	15W		1080lm	90+	Black
MTS1-5CCT-W	1"	Square	7W		495lm	90+	White
MTS1-5CCT-B	1"	Square	7W		495lm	90+	Black
MTS2-5CCT-W	2"	Square	15W		1080lm	90+	White
MTS2-5CCT-B	2"	Square	15W		1080lm	90+	Black

#### ACCESSORY

Catalog No.	Description
CHDL-UNV-NCP	Universal Mounting Plate

#### CUT-OUT DIMENSIONS:

- MTR2-5CCT: 2-5/8"
- MTS2-5CCT: 2-5/8"
- MTRA2-5CCT: 2-5/8"
- MTRT2-5CCT: 2-5/8"
- MTRAT2-5CCT: 3-1/8"

#### CUT-OUT DIMENSIONS:

- MTR1-5CCT: 2-1/8"
- MTS1-5CCT: 2-1/8"
- MTRA1-5CCT: 2-1/8"
- MTST2-5CCT: 2-13/16"

# MINITASK 120V RECESSED MOUNT ROUND ADJUSTABLE SELECTABLE LED MINI DOWNLIGHTS

**RECESSED DOWNLIGHTS  
IN MINI FORMAT  
SMALLER SIZE  
GREAT PERFORMANCE**

**120 VOLT**

**JWET LOCATION**

**90+ CRI**

**TITLE 24**

**5 Yr. WARRANTY**

**ETL US Intertek**



All MiniTask MT series downlights come with a junction box with 5CCT selectable switch.

### PRODUCT DESCRIPTION

Round and adjustable recessed Mini Task selectable 5CCT downlights with a 90+ CRI light source. Available in 1" and 2" in white. The fixture is fully dimmable. No power supply required.

NOTE: WET LOCATION LISTED FOR SHOWERS AND PROTECTED CEILINGS

Fixture dimensions: Page 160

### KEY FEATURES

- 120V
- Multiple wattages
- Round trim style
- Trim sizes - 1" and 2"
- Adjustable
- White finish
- 5CCT selectable switch (2700K / 3000K / 3500K / 4000K / 5000K)
- Dimmable ELV
- 38° beam angle
- 90+ CRI
- Wet location
- +/- 15° tilt range over 360°

### ORDERING INFORMATION

Catalog No.	Dimensions	Format	Wattage	Color Temp.	Lumens in 3500K	CRI	Finish
MTRA1-5CCT-W	1"	Round Adjustable	5W	5CCT Selectable: 2700K	360lm	90+	White
MTRA2-5CCT-W	2"	Round Adjustable	8W	3000K	610lm	90+	White

### ACCESSORY

Catalog No.	Description
CHDL-UNV-NCP	Universal Mounting Plate



**Standard 6" Downlight 6-7/8" DIA.  
MiniTask 1" Downlight 2-3/8" DIA.  
POWERFUL DOWNLIGHT IN A MINI SIZE**

<b>CUT-OUT DIMENSIONS:</b>	<b>CUT-OUT DIMENSIONS:</b>	<b>CHDL-UNV-NCP</b>
MTR2-5CCT: 2-5/8"	MTR1-5CCT: 2-1/8"	New construction
MTS2-5CCT: 2-5/8"	MTS1-5CCT: 2-1/8"	plate
MTRA2-5CCT: 2-5/8"	MTRA1-5CCT: 2-1/8"	
MTRT2-5CCT: 2-5/8"	MTST2-5CCT: 2-13/16"	
MTRAT2-5CCT: 3-1/8"		



# MINITASK 120V RECESSED MOUNT TRIMLESS SELECTABLE LED MINI DOWNLIGHTS

**TRIMLESS OPTION  
FOR A CLEAN AND  
SEAMLESS FINISH**

**120  
VOLT**

**90+  
CRI**

**TITLE  
24**

**5 Yr.  
WARRANTY**

**ETL  
US  
Intertek**



MTRAT2-5CCT-W



MTST2-5CCT-W



MTRT2-5CCT-W

### PRODUCT DESCRIPTION

GM Lighting's trimless Mini Task selectable 5CCT downlight with a 90+ CRI light source is available in 2", round or square in white. The fixture is fully dimmable. No power supply required. Perfect for new construction applications where a low profile trimless mini-downlight is required.

Fixture dimensions: Page 161

### KEY FEATURES

- 120V
- Multiple wattages
- Trim styles - square and round
- Trim sizes - 2"
- Trimless or trimless adjustable formats
- White finish
- 5CCT selectable switch (2700K / 3000K / 3500K / 4000K / 5000K)
- Dimmable ELV
- 38° beam angle
- 90+ CRI
- Adjustable version: +/- 15° tilt range over 360°

### ORDERING INFORMATION

Catalog No.	Dimensions	Format	Wattage	Color Temp.	Lumens in 3500K	CRI	Finish
MTRT2-5CCT-W	2"	Round Trimless	15W	5CCT Selectable: 2700K 3000K 3500K 4000K 5000K	980lm	90+	White
MTST2-5CCT-W	2"	Square Trimless	15W		980lm	90+	White
MTRAT2-5CCT-W	2"	Round Adjustable Trimless	8W		595lm	90+	White

### ACCESSORY

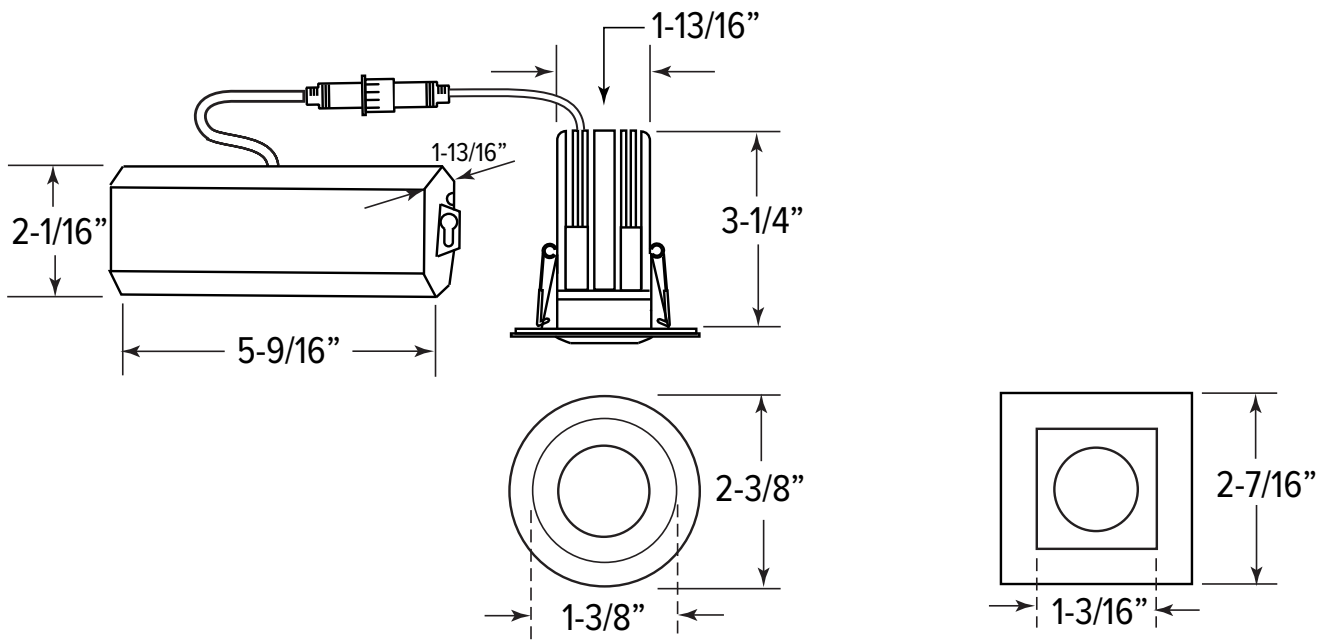
Catalog No.	Description
GHDL-UNV-NCP	Universal Mounting Plate

**CUT-OUT DIMENSIONS:**  
MTR2-5CCT: 2-5/8"  
MTRT2-5CCT: 2-5/8"  
MTRA2-5CCT: 2-5/8"  
MTRT2-5CCT: 2-5/8"  
MTRAT2-5CCT: 3-1/8"

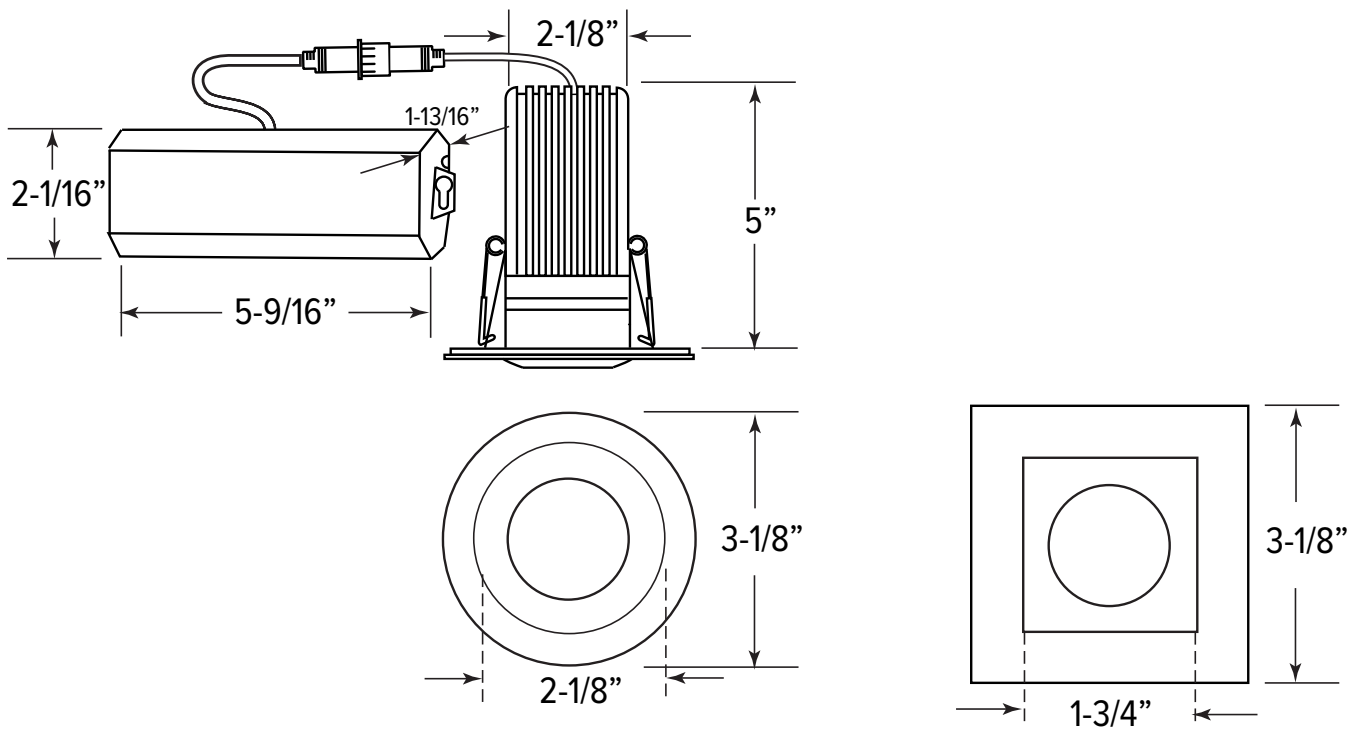
**CUT-OUT DIMENSIONS:**  
MTR1-5CCT: 2-1/8"  
MTRT1-5CCT: 2-1/8"  
MTRA1-5CCT: 2-1/8"  
MTRT1-5CCT: 2-13/16"

# DIAGRAMS

## 1" MiniTask Round / Square

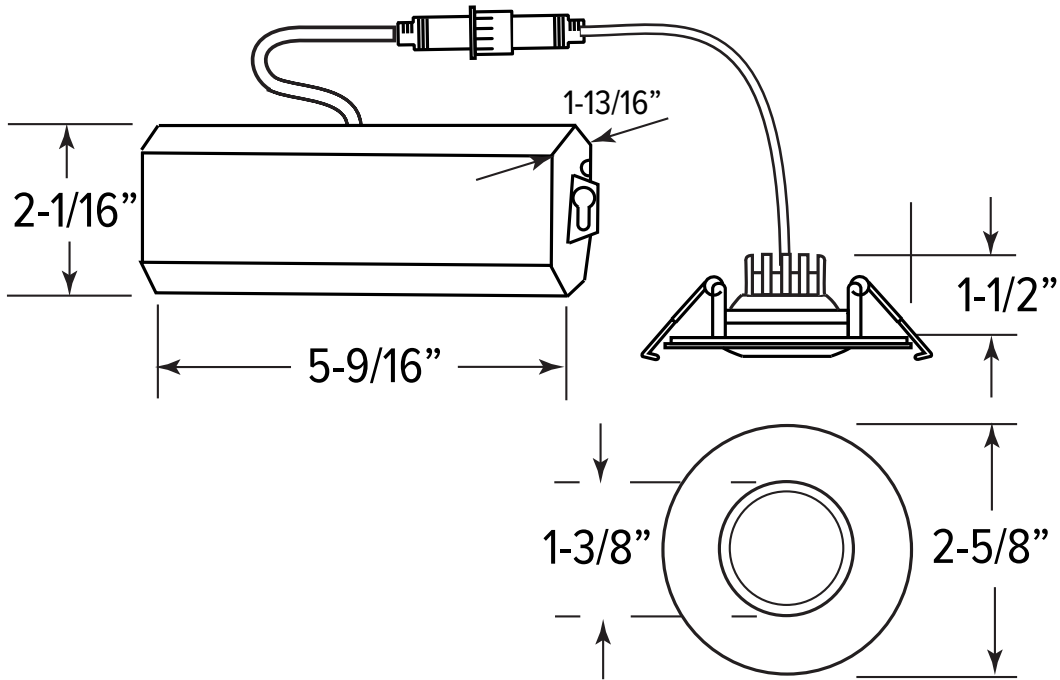


## 2" MiniTask Round / Square

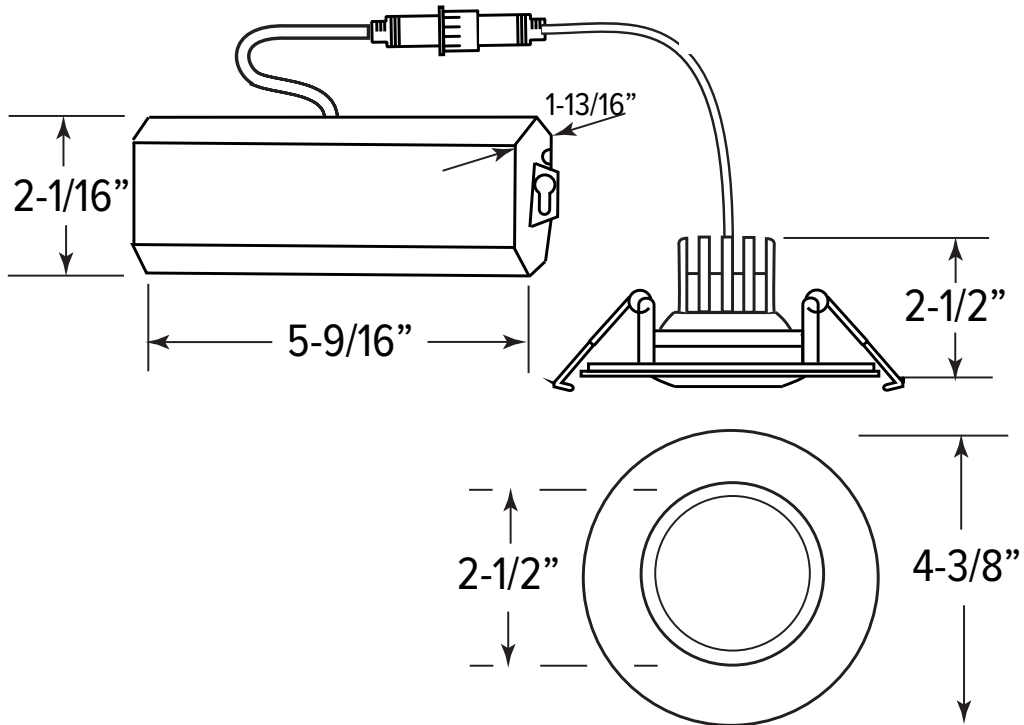


# DIAGRAMS

## 1" MiniTask Round Adjustable



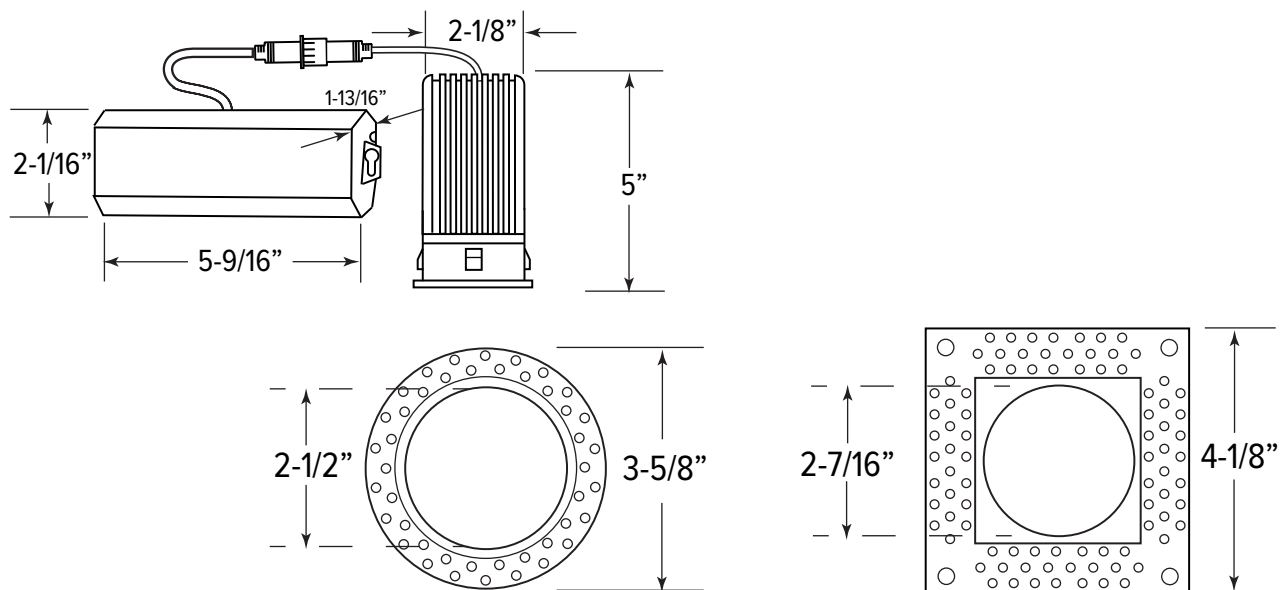
## 2" MiniTask Round Adjustable



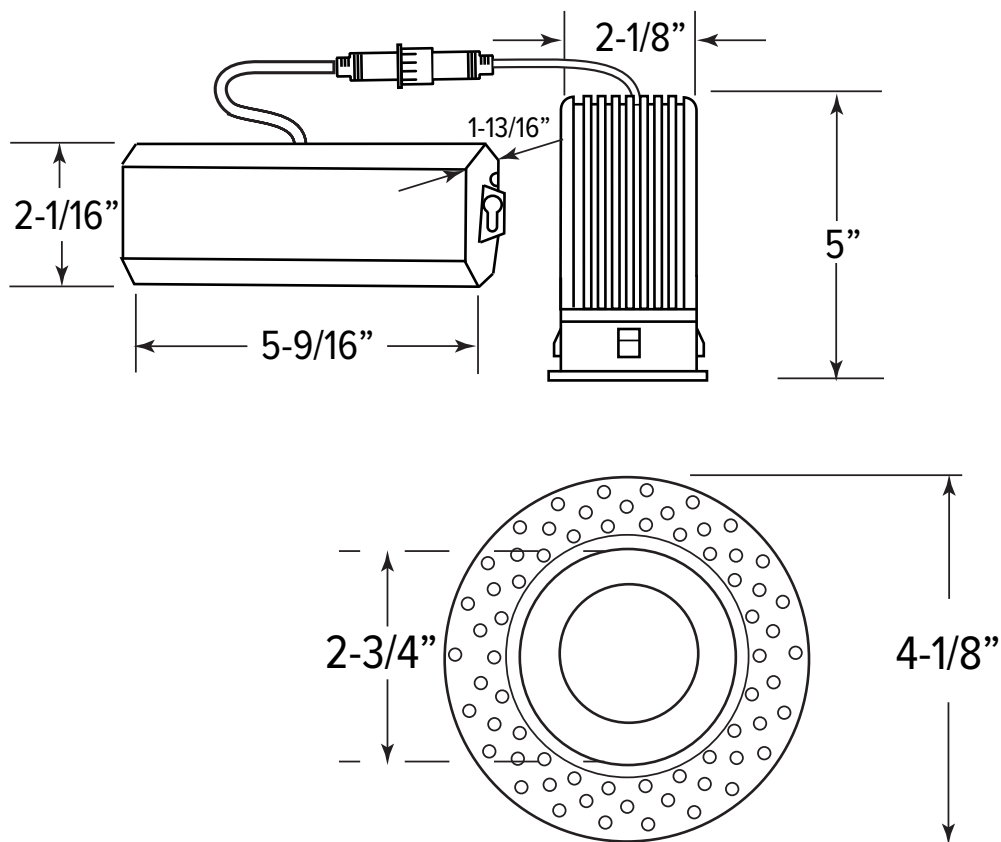


# DIAGRAMS

## 2" MiniTask Round / Square Trimless



## 2" MiniTask Round Adjustable Trimless

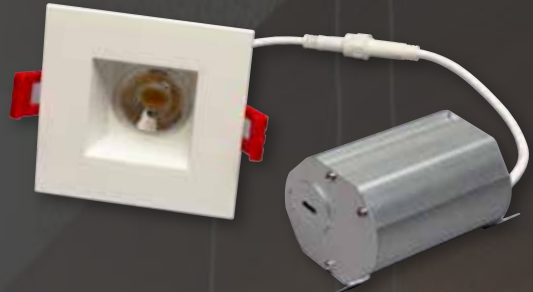




# Recessed Downlights



RSD 120V  
REGRESSED SLIM DOWNLIGHT  
SWITCHABLE WHITE ..... 164



MICROTASK 120V MINI IC RATED  
DOWNLIGHT..... 166  
MICROTASK 4 120V IC RATED  
DOWNLIGHT..... 168



12VDC 3W MINI-ADJUSTABLE  
DOWNLIGHT..... 170



12VDC 6W MINI-ADJUSTABLE  
DOWNLIGHT..... 171



120VAC 6W MINI-ADJUSTABLE  
DOWNLIGHT..... 172



# RSD 120V REGRESSED SLIM DOWNLIGHT SELECTABLE WHITE

**120 VOLT**

**TITLE 24-JA8**

27K | 30K  
40K

**90+ CRI**

**JWET LOCATION**

**5Yr WARRANTY**

**ETL Intertek**



## PRODUCT DESCRIPTION

The RSD Regressed Slim Downlight is now selectable - with the ability to switch between 2700K, 3000K and 4000K, this Energy Star rated, wet location downlight enables a trio of lighting temperatures from one fixture.

NOTE: FOR INDOOR USE ONLY  
Fixture dimensions: Page 174

## KEY FEATURES

- 120V
- Selectable - 2700K, 3000K, 4000K
- Suitable for through wiring, meets Article 314 of the NEC code
- Dimmable (Triac)
- Shallow Mount
- 90+ CRI
- IP54 Wet Location
- 120° Beam Angle
- Edge-Lit Technology for diode-free illumination
- Title 24, Energy Star
- 5 year warranty



## ORDERING INFORMATION

Catalog No.	Diameter	Wattage	Lumens in 3000K	CRI	Finish
RSD-4-TUN-WH	5-1/8" Dia.	9W	580	90+	WHITE
RSD-6-TUN-WH	6-7/8" Dia.	12W	930	90+	WHITE
RSD-8-TUN-WH	9" Dia.	15W	1050	90+	WHITE

## ACCESSORIES

Catalog No.	Description
RSD-TUN-5FT-EXT	5' extension cord for RSD Series Downlights
RSD-TUN-10FT-EXT	10' extension cord for RSD Series Downlights
RSD-TUN-20FT-EXT	20' extension cord for RSD Series Downlights
UNV-NCP	New construction plate for all RSD Series Downlights

PRODUCT NOTES:  
Installation instructions and spec sheet available for download.  
View this product on [www.gmlighting.net](http://www.gmlighting.net)



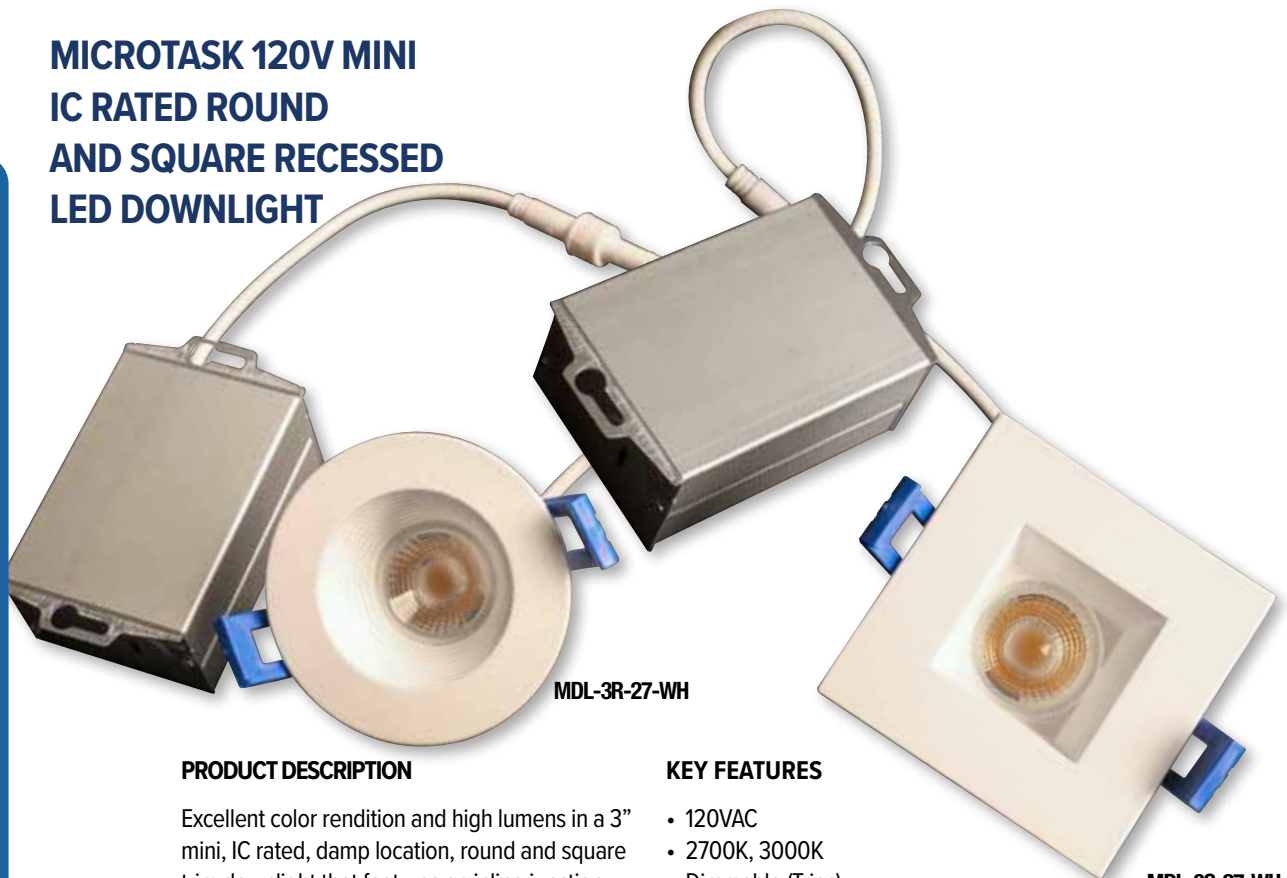
CUT-OUT DIMENSIONS:  
RSD-4-TUN: 4-1/4" DIA.  
RSD-6-TUN: 6-1/4" DIA.  
RSD-8-TUN: 8-1/4" DIA.

UNV-NCP  
New construction plates





# MICROTASK 120V MINI IC RATED ROUND AND SQUARE RECESSED LED DOWNLIGHT



**120 VOLT**

**DAMP LOCATION**

**90+ CRI**

**TITLE 24/JA8**

**IC RATED**

**5 Yr. WARRANTY**

**ETL Intertek**

MDL-3R-27-WH

MDL-3S-27-WH

### PRODUCT DESCRIPTION

Excellent color rendition and high lumens in a 3" mini, IC rated, damp location, round and square trim downlight that features an inline junction box connected by a modular twist connector. Perfect for any application. Available in 2700K or 3000K color temp. White semi-gloss finish. Fixture dimensions: Page 174

### KEY FEATURES

- 120VAC
- 2700K, 3000K
- Dimmable (Triac)
- 38° beam spread
- 3-3/8" dia. x 1-1/2" depth (round trim)
- 3-1/2" square x 2-1/2" depth (square trim)
- 90+ CRI
- IC rated
- In-line junction box connected by 12" TwistLock cable
- Snap-in spring clips installation
- Title 24 and Energy Star
- Suitable for damp location
- 5 year warranty



### ORDERING INFORMATION

Catalog No.	Trim Shape	Trim Dimensions	Wattage	Lumens	Color Temp.	CRI	Finish
MDL-3R-27-WH	Round	3-3/8" dia. x 1-1/2" depth	8W	545	2700K	90+	White
MDL-3R-30-WH	Round	3-3/8" dia. x 1-1/2" depth	8W	550	3000K	90+	White
MDL-3S-27-WH	Square	3-1/2" SQ. x 2-1/2" depth	8W	550	2700K	90+	White
MDL-3S-30-WH	Square	3-1/2" SQ. x 2-1/2" depth	8W	560	3000K	90+	White

### ACCESSORIES

Catalog No.	Description
MDL-5FT-EXT	5' extension cord for MDL Series Downlights
MDL-10FT-EXT	10' extension cord for MDL Series Downlights
MDL-20FT-EXT	20' extension cord for MDL Series Downlights
UNV-NCP	New construction plate for all MDL Series Downlights



CUT-OUT DIMENSIONS:  
 MDL-3R: 2-3/4" DIA.  
 MDL-3S: 2-3/4" DIA.  
 MDL-3AR: 2-3/4" DIA.

CUT-OUT DIMENSIONS:  
 MDL-4R: 3-3/4" DIA.  
 MDL-4S: 3-3/4" DIA.  
 MDL-4AR: 4-1/4" DIA.

UNV-NCP  
 New construction plates



# MICROTASK 120V MINI IC RATED ROUND ADJUSTABLE GIMBAL LED DOWNLIGHT

**120 VOLT**

**DAMP LOCATION**

**90+ CRI**

**TITLE 24/JA8**

**IC RATED**

**5 Yr. WARRANTY**

**ETL Intertek**



## PRODUCT DESCRIPTION

Excellent color rendition and high lumens in a 3" mini-adjustable, IC rated, damp location, round trim downlight that features an inline junction box connected by a modular twist connector. Perfect for any application. Available in 2700K or 3000K color temp. White semi-gloss finish.

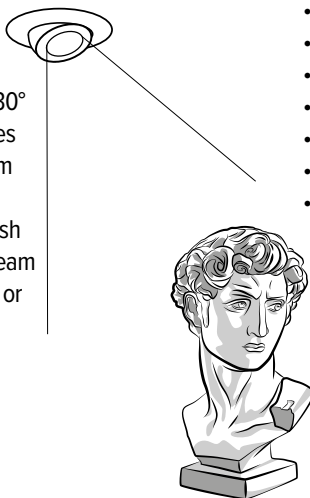
Fixture dimensions: Page 174

## KEY FEATURES

- 120VAC
- 2700K, 3000K
- Dimmable (Triac)
- 38° beam spread
- 3-3/8" dia. x 1-1/2" depth (round adjustable trim)
- Adjustable gimbal (360° rotation - 30° tilt on axis)
- 90+ CRI
- IC rated
- In-line junction box connected by 12" TwistLock cable
- Adjustable gimbal (30° tilt on axis)
- Snap-in spring clips installation
- Title 24 and Energy Star
- Suitable for damp location
- Suitable for per NEC code
- 5 year warranty

## MINI-WALL WASH

360° rotation and 30° adjustability enables you to put the beam where you want it. Either as a wall-wash or to focus a 38° beam angle on sculpture or objects 'd art.



## ORDERING INFORMATION

Catalog No.	Trim Shape	Trim Dimensions	Wattage	Lumens	Color Temp.	CRI	Finish
MDL-3AR-27-WH	Round	3-3/8" dia. x 1-1/2" depth	8W	545	2700K	90+	White
MDL-3AR-30-WH	Round	3-3/8" dia. x 1-1/2" depth	8W	550	3000K	90+	White

CUT-OUT DIMENSIONS: 2-3/4"

### PRODUCT NOTES:

Installation instructions and spec sheet available for download.  
View this product on [www.gmlighting.net](http://www.gmlighting.net)

## MICROTASK 4 120V IC RATED ROUND, SQUARE AND ROUND RECESSED LED

**120 VOLT**

**DAMP LOCATION**

**90+ CRI**

**TITLE 24/JA8**

**IC RATED**

**5 Yr. WARRANTY**

**ETL Intertek**



### PRODUCT DESCRIPTION

MicroTask 4 is a mid-sized, multi-format recessed downlight that is attached to its own inline junction box. The excellent color rendition and high lumens that is a signature of the MicroTask line is evident in this IC rated, damp location luminaire. Available in Round or Square deep recessed (virtually hiding the powerful LED source from view) or in an adjustable round gimbal format that enables 360° rotation and a generous 30° tilt on axis. White semi-gloss finish.

Fixture dimensions: Page 175

### KEY FEATURES

- 120V
- 2700K, 3000K
- Dimmable (Triac)
- 38° beam spread
- 3-3/8" dia. x 1-1/2" depth (round trim)
- 3-1/2" square x 2-1/2" depth (square trim)
- 90+ CRI
- IC rated
- In-line junction box connected by 12" TwistLock cable
- Snap-in spring clips installation
- Title 24 and Energy Star
- Suitable for damp location
- 5 year warranty



### ORDERING INFORMATION

Catalog No.	Trim Shape	Trim Dimensions	Wattage	Lumens	Color Temp.	CRI	Finish
MDL-4R-27-WH	Round	4-1/2" dia. x 3" depth	15W	975	2700K	90+	White
MDL-4R-30-WH	Round	4-1/2" dia. x 3" depth	15W	1000	3000K	90+	White
MDL-4S-27-WH	Square	4-1/2" SQ. x 3" depth	15W	975	2700K	90+	White
MDL-4S-30-WH	Square	4-1/2" SQ. x 3" depth	15W	1000	3000K	90+	White
MDL-4AR-27-WH	Round Adjustable	4-7/8" dia. x 2-1/4" depth	11W	875	2700K	90+	White
MDL-4AR-30-WH	Round Adjustable	4-7/8" dia. x 2-1/4" depth	11W	900	3000K	90+	White

### ACCESSORIES

Catalog No.	Description
MDL-5FT-EXT	5' extension cord for MDL Series Downlights
MDL-10FT-EXT	10' extension cord for MDL Series Downlights
MDL-20FT-EXT	20' extension cord for MDL Series Downlights
UNV-NCP	New construction plate for all MDL Series Downlights



### PRODUCT NOTES:

Installation instructions and spec sheet available for download.  
View this product on [www.gmlighting.net](http://www.gmlighting.net)

**CUT-OUT DIMENSIONS:**  
MDL-3R: 2-3/4" DIA.  
MDL-3S: 2-3/4" DIA.  
MDL-3AR: 2-3/4" DIA.

**CUT-OUT DIMENSIONS:**  
MDL-4R: 3-3/4" DIA.  
MDL-4S: 3-3/4" DIA.  
MDL-4AR: 4-1/4" DIA.

**UNV-NCP**  
New construction plates





## 12VDC 3W MINI-DIMMABLE AND ADJUSTABLE LED DOWNLIGHT

12  
VOLT



CLASS  
2

80+  
CRI

DIM

5 Yr.  
WARRANTY



GMR4-WW-BA

MINI IN SIZE,  
NOT IN  
POWER!



### PRODUCT DESCRIPTION

GM Lighting's GMR4-WW mini-downlight is a perfect compact luminaire that is well suited for book shelves, entertainment centers, elevators, and other applications where high performance lighting in a tight space is required. Available in white, black or brushed aluminum and fully dimmable.

Use only magnetic dimmable power supplies only, see power supply sections beginning on page 195. Fixture dimensions: Page 175

### KEY FEATURES

- 12VDC operation
- 3000K
- Dimmable
- 2" dia. x 1-1/4" recess depth
- 30° adjustable gimbal
- 80+ CRI
- 120 lumens
- 30° beam spread
- 5 year warranty when used with GM power supplies

### ORDERING INFORMATION

Catalog No.	Dimensions	Wattage	Lumens	CRI	Color Temp	Finish
GMR4-WW-W	2" Dia. x 1-1/4" Depth	3W	120	80+	3000K	White
GMR4-WW-B	2" Dia. x 1-1/4" Depth	3W	120	80+	3000K	Black
GMR4-WW-BA	2" Dia. x 1-1/4" Depth	3W	120	80+	3000K	Brushed Aluminum

Includes 48" leads

### ACCESSORIES

MINI LED ADJUSTABLE RECESSED DOWNLIGHT ACCESSORIES	
GMSB-W	Splice box - white - 2"L x 1"W x 5/8"D
GMSB-B	Splice box - black - 2"L x 1"W x 5/8"D

### PRODUCT NOTES:

Installation instructions and spec sheet available for download.  
View this product on [www.gmlighting.net](http://www.gmlighting.net)

# 12VDC 6W MINI-DIMMABLE AND ADJUSTABLE LED DOWNLIGHT

GMR6-WW-BA



## PRODUCT DESCRIPTION

Imagine an application where a low heat and lower profile mini-downlight is required. Now imagine GM Lighting's GMR6-WW, a mini-downlight with an 80+ CRI light source. Available in white, black or brushed aluminum, and fully dimmable.

Use only magnetic dimmable power supplies only, see power supply sections beginning on page 195. Fixture dimensions: Page 175

## KEY FEATURES

- 12VDC
- 3000K
- Dimmable
- 2-7/8" dia. x 2-5/8" recess depth
- 30° adjustable gimbal
- 80+ CRI
- 375 lumens
- 30° beam spread
- 5 year warranty when used with GM power supplies

12 VOLT

 DRY LOCATION

CLASS 2

80+ CRI

DIM

5 Yr. WARRANTY



## ORDERING INFORMATION

Catalog No.	Dimensions	Wattage	Lumens	CRI	Color Temp	Finish
GMR6-WW-W	2-7/8" Dia. x 2-5/8" Depth	6W	375	80+	3000K	White
GMR6-WW-B	2-7/8" Dia. x 2-5/8" Depth	6W	375	80+	3000K	Black
GMR6-WW-BA	2-7/8" Dia. x 2-5/8" Depth	6W	375	80+	3000K	Brushed Aluminum

Includes 48" leads

## ACCESSORIES

MINI LED ADJUSTABLE RECESSED DOWNLIGHT ACCESSORIES	
GMSB-W	Splice box - white - 2"L x 1"W x 5/8"D
GMSB-B	Splice box - black - 2"L x 1"W x 5/8"D

## PRODUCT NOTES:

Installation instructions and spec sheet available for download.  
View this product on [www.gmlighting.net](http://www.gmlighting.net)

# 120VAC IC RATED MINI-DIMMABLE AND ADJUSTABLE LED DOWNLIGHT

**120 VOLT**

**DAMP LOCATION**

**90+ CRI**

**IC RATED**

**TITLE 24**

**5 Yr. WARRANTY**

**ETL Intertek**



GMR6-120V-IC-SP-BA

USE THE INCLUDED TEMPLATE FOR INSTALLATION HOLE.

## PRODUCT DESCRIPTION

GM Lighting's 120VAC 6W Mini LED Adjustable Shallow Recessed Downlight packs a lot of performance in a compact, easy to install dimmable luminaire. 3-3/4" optional white only trim ring is included with each fixture.

## KEY FEATURES

- 120VAC
- 3000K
- Dimmable
- 3-1/4" dia. x 3-3/4" recess depth
- 30° adjustable gimbal
- 90+ CRI
- Up to 500 lumens
- 24°, 38°, 55° beam spreads
- 5 year warranty

Fixture dimensions: Page 175

## ORDERING INFORMATION

Catalog No.	Dimensions	Wattage	Beam Spread	Lumens	CRI	Color Temp	Finish
GMR6-120V-IC-SP-W	3-1/4" Dia. x 3-3/4" Depth	6W	24°	500	90+	3000K	White
GMR6-120V-IC-FL-W	3-1/4" Dia. x 3-3/4" Depth	6W	38°	455	90+	3000K	White
GMR6-120V-IC-WFL-W	3-1/4" Dia. x 3-3/4" Depth	6W	55°	467	90+	3000K	White
GMR6-120V-IC-SP-B	3-1/4" Dia. x 3-3/4" Depth	6W	24°	500	90+	3000K	Black
GMR6-120V-IC-FL-B	3-1/4" Dia. x 3-3/4" Depth	6W	38°	455	90+	3000K	Black
GMR6-120V-IC-WFL-B	3-1/4" Dia. x 3-3/4" Depth	6W	55°	467	90+	3000K	Black
GMR6-120V-IC-SP-BA	3-1/4" Dia. x 3-3/4" Depth	6W	24°	500	90+	3000K	Brushed Aluminum
GMR6-120V-IC-FL-BA	3-1/4" Dia. x 3-3/4" Depth	6W	38°	455	90+	3000K	Brushed Aluminum
GMR6-120V-IC-WFL-BA	3-1/4" Dia. x 3-3/4" Depth	6W	55°	467	90+	3000K	Brushed Aluminum

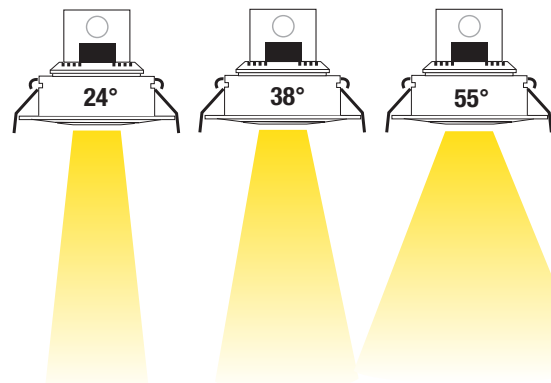
Includes 48" leads

## ACCESSORIES

GMR6 120V TRIM RING ACCESSORY (1 INCLUDED WITH FIXTURE)	
OTR-WH	Optional 3-3/4" trim ring - white
OTR-B	Optional 3-3/4" trim ring - black
OTR-BA	Optional 3-3/4" trim ring - brushed nickel

## PRODUCT NOTES:

Installation instructions and spec sheet available for download.  
View this product on [www.gmlighting.net](http://www.gmlighting.net)



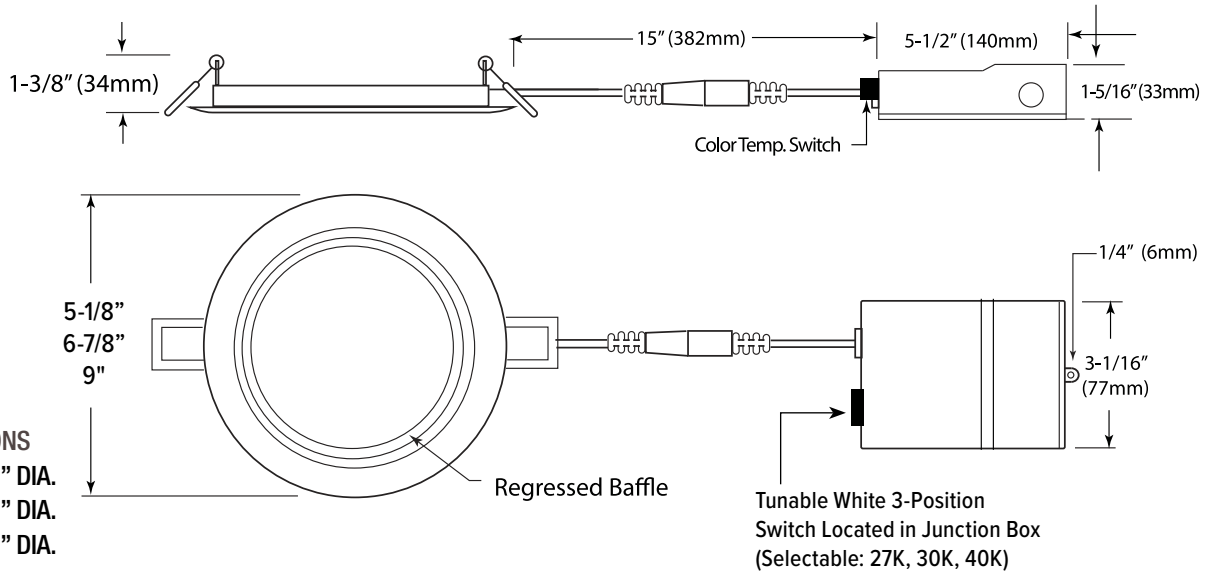




## RECESSED DOWNLIGHTS DIAGRAMS

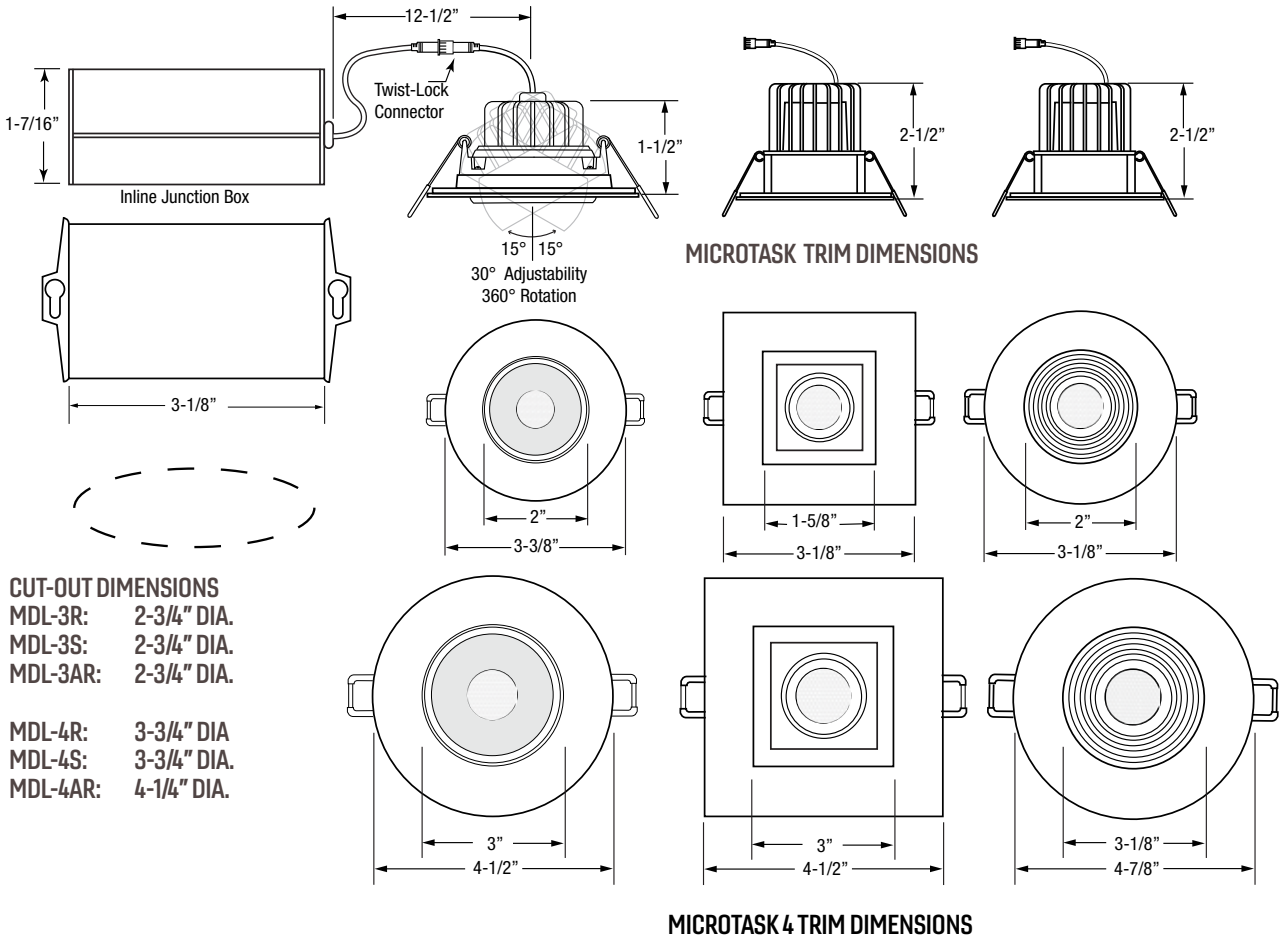
### RSD REGRESSED SLIM DOWNLIGHT Series

Page 164



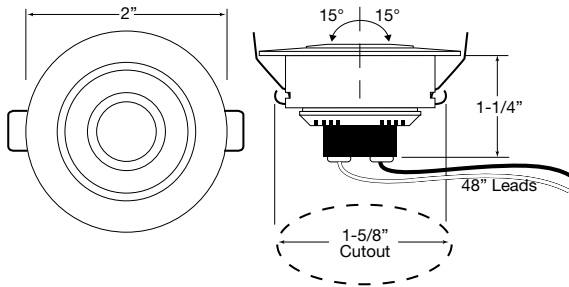
### MICROTASK ADJUSTABLE IC RATED Series

Page 166-168

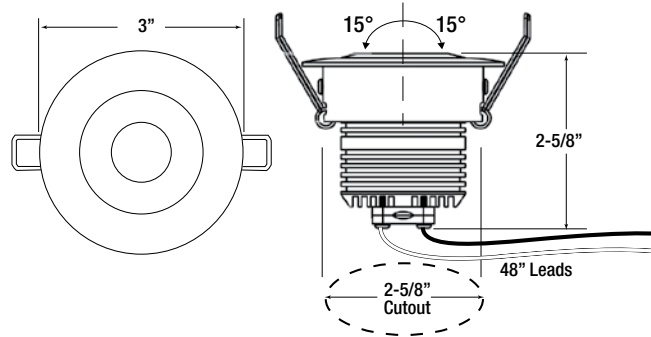


## RECESSED DOWNLIGHTS DIAGRAMS

### 3W MINI-DIMMABLE AND ADJUSTABLE DOWNLIGHT Series Page 170

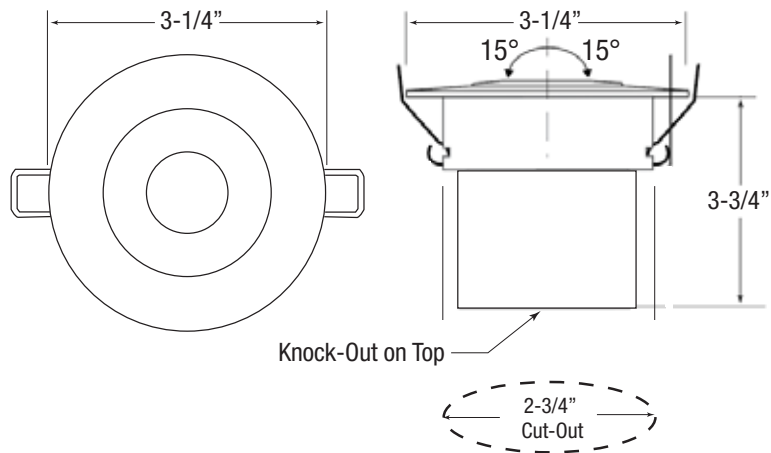


### 6W MINI-DIMMABLE AND ADJUSTABLE DOWNLIGHT Series Page 171



### 120V IC RATED MINI-DIMMABLE AND ADJUSTABLE DOWNLIGHT Series Page 172

USE THE  
INCLUDED TEMPLATE  
FOR INSTALLATION HOLE



## DOWNLIGHTS COMPARATIVE ANALYSIS

Downlight Series	Voltage	Wattage	Dimensions	Mounting Depth	CRI	Lumens	Color Temps
RSD SERIES	120V	9W, 12W 15W	5-1/8" Dia. 6-7/8" Dia. 9" Dia.	1-1/4"	90+	30K - 325 / 40K - 355 5-1/8" Selectable: 500, 525, 550 6-7/8" Selectable: 700, 725, 750 9" Selectable: 900, 925, 950	2700K, 3000K 4000K All other dia. Selectable: 2700K, 3000K, 4000K
MICROTASK 3 SERIES	120V	8W	3-1/8" dia. / 3-3/8"	1-1/2"	90+	27K - 545 / 30K - 550	2700K, 3000K
MICROTASK 4 SERIES	120V	15W	4-1/2" dia. / 4-7/8"	3" / 2-1/4"	90+	27K - 975 / 30K - 1000	2700K, 3000K
3W MINI-DIMMABLE SERIES	12VDC	3W	2" dia.	1-1/4"	80+	120	3000K
6W MINI-DIMMABLE ADJUSTABLE SERIES	12VDC	6W	2-7/8" dia.	2-5/8"	80+	375	3000K
120V IC RATED MINI-DIMMABLE ADJUSTABLE SERIES	120VAC	6W	3-1/4" dia.	3-3/4"	90+	24° Beam - 500 38° Beam - 455 55° Beam - 467	3000K

Specifications are subject to change without notice. Please refer to website ([www.gmlighting.net](http://www.gmlighting.net)) for the latest specification info

#### PRODUCT NOTES:

Installation instructions and spec sheet available for download.  
View this product on [www.gmlighting.net](http://www.gmlighting.net)





# Step and Pathway Lighting



120V WET LOCATION  
LED STEP LIGHT  
PAGE 178



120V BRICK LIGHT  
HORIZONTAL LED LIGHT  
PAGE 182



12VDC WET LOCATION  
LED PATHWAY LIGHT  
PAGE 186



# 120V LED STEP LIGHT

120 VOLT

JWET LOCATION

80+ CRI

5 Yr. WARRANTY

ETL Intertek



GSL-LH-W



GSL-LV-B



GSL-O-BN



GSL-O-BZ

## PRODUCT DESCRIPTION

GM Lighting's new take on step lighting has resulted in this extensive collection of modern step lights that fits standard junction boxes. Available in horizontal and vertical formats, open lensed, vertical and horizontal louvers, and in horizontal scoop formats. Perfect for step lighting, path lighting, deck lighting in stairs, posts or railings.

Fixture dimensions: Page 180

## KEY FEATURES

- 120V
- 3000K
- No visible mounting hardware
- Mounts to standard J-Box (by others)
- 145 lumens
- Suitable for wet location
- ETL
- 5 year warranty

## ORDERING INFORMATION

Catalog No.	Style	Wattage	Lumens	CRI	Color Temp	Finish
GSL-O-B	Horizontal / Vertical Trim	2W	145	80+	3000K	Black
GSL-O-BN	Horizontal / Vertical Trim	2W	145	80+	3000K	Brushed Nickel
GSL-O-BZ	Horizontal / Vertical Trim	2W	145	80+	3000K	Bronze
GSL-O-WH	Horizontal / Vertical Trim	2W	145	80+	3000K	White
GSL-LH-B	Louvered Horizontal Trim	2W	145	80+	3000K	Black
GSL-LH-BN	Louvered Horizontal Trim	2W	145	80+	3000K	Brushed Nickel
GSL-LH-BZ	Louvered Horizontal Trim	2W	145	80+	3000K	Bronze
GSL-LH-WH	Louvered Horizontal Trim	2W	145	80+	3000K	White
GSL-LV-B	Louvered Vertical Trim	2W	145	80+	3000K	Black
GSL-LV-BN	Louvered Vertical Trim	2W	145	80+	3000K	Brushed Nickel
GSL-LV-BZ	Louvered Vertical Trim	2W	145	80+	3000K	Bronze
GSL-LV-WH	Louvered Vertical Trim	2W	145	80+	3000K	White

## PRODUCT NOTES:

- Not suitable for salt water or chlorine pool environments.
- Not marine grade.
- Installation instructions and spec sheet available for download.
- View this product on [www.gmlighting.net](http://www.gmlighting.net)



## 120V LED STEP LIGHT



GSL-H-BN



GSL-H-B



GSL-V-BN

### PRODUCT DESCRIPTION

Clean and modern look for all of your step and pathway lighting needs that features a discreet light source in a scoop trim, with no visible mounting hardware. All of the features and benefits as shown on previous page. Black, White, Bronze and Brushed Nickel.

Fixture dimensions: Page 180

### KEY FEATURES

- 120V
- 3000K
- No visible mounting hardware
- Mounts to standard J-Box (by others)
- 145 lumens
- Suitable for wet location
- ETL
- 5 year warranty

### ORDERING INFORMATION

Catalog No.	Style	Wattage	Lumens	CRI	Color Temp	Finish
GSL-H-B	Horizontal Scoop Trim	2W	145	80+	3000K	Black
GSL-H-BN	Horizontal Scoop Trim	2W	145	80+	3000K	Brushed Nickel
GSL-H-BZ	Horizontal Scoop Trim	2W	145	80+	3000K	Bronze
GSL-H-WH	Horizontal Scoop Trim	2W	145	80+	3000K	White
GSL-V-B	Vertical Scoop Trim	2W	145	80+	3000K	Black
GSL-V-BN	Vertical Scoop Trim	2W	145	80+	3000K	Brushed Nickel
GSL-V-BZ	Vertical Scoop Trim	2W	145	80+	3000K	Bronze
GSL-V-WH	Vertical Scoop Trim	2W	145	80+	3000K	White

### PRODUCT NOTES:

Not suitable for salt water or chlorine pool environments.

Installation instructions and spec sheet available for download.

View this product on [www.gmlighting.net](http://www.gmlighting.net)

### Watch the Step Light Video!

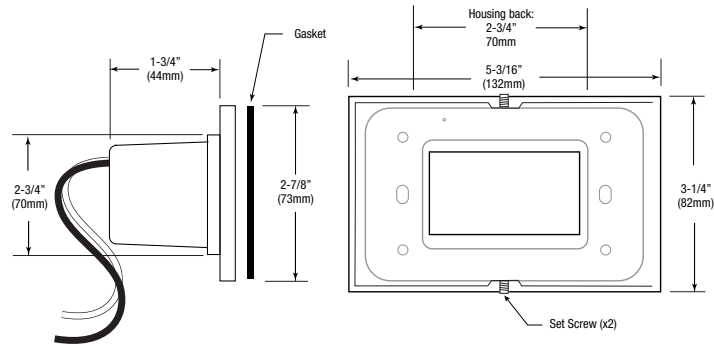
Watch how easy it is to install our step lights.



# 120V WET LOCATION LED STEP LIGHT DIAGRAMS Pages 178-179

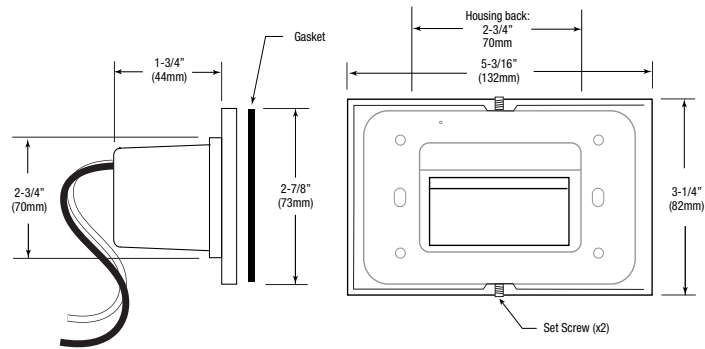
## GSL-O-SERIES OPEN LENS HORIZONTAL OR VERTICAL MOUNT

Mounts to standard  
single-gang box by others.



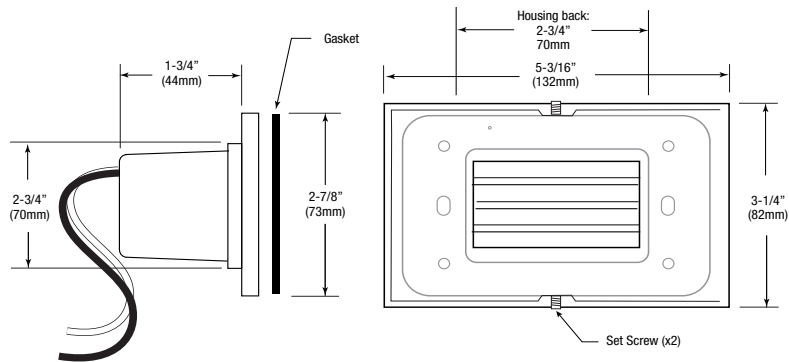
## GSL-H-SERIES SCOOP LENS HORIZONTAL MOUNT (VERTICAL MOUNT AVAILABLE)

Mounts to standard  
single-gang box by others.



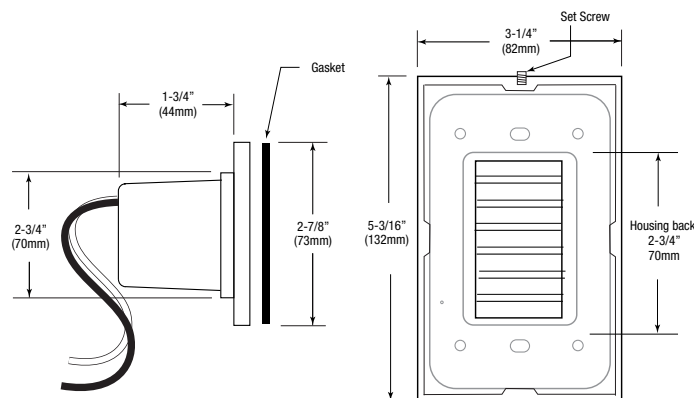
## GSL-LH-SERIES LOUVERED LENS HORIZONTAL MOUNT

Mounts to standard  
single-gang box by others.



## GSL-LV-SERIES LOUVERED LENS VERTICAL MOUNT

Mounts to standard  
single-gang box by others.







# 120V LED BRICK LIGHT

**120 VOLT**

**JWET LOCATION**

**80+ CRI**

**5 Yr. WARRANTY**

**IP 66**

**ETL Intertek**

## PRODUCT DESCRIPTION

GM Lighting's new take on brick lighting has resulted in this extensive collection of modern brick lights. Available in horizontal scoop, open horizontal and horizontal louver formats. Perfect for step lighting, path lighting, deck lighting in stairs or railings.

Fixture dimensions: Page 183

## KEY FEATURES

- 120VAC, 60Hz
- 5W
- 3000K color temperature
- 80+ CRI
- No visible mounting hardware
- Dry and Wet location. Not for marine environments.
- IP66 rated housing
- Four Finishes: White, Black, Bronze and Brushed Nickel
- Three Horizontal Faceplate Options: Open, Scoop and Louver
- Die-cast zinc magnesium rough-in housing
- ETL listed for wet locations



**GBL-FPLV-BZ**



**GBL-FPH-WH**



**GBL-FPO-BN**

## ORDERING INFORMATION

GMR6 120V TRIM RING ACCESSORY	
<b>GBL-MO</b>	Rough-in housing for open (FPO) and louver (FPLV) faceplate
<b>GBL-MR</b>	Rough-in housing for horizontal scoop (FPH) faceplate

All Brick Light rough-in housings include set of 2 leveling brackets and screws.

## ORDERING EXAMPLE:

1. **GBL-MO** Rough-in Housing
2. **GBL-FPO-WH** Faceplate (ordered separately)

## TRIM PLATES

Catalog No.	Style	Finish
<b>GBL-FPO-WH</b>	Horizontal Open Trim	White
<b>GBL-FPO-B</b>	Horizontal Open Trim	Black
<b>GBL-FPO-BZ</b>	Horizontal Open Trim	Bronze
<b>GBL-FPO-BN</b>	Horizontal Open Trim	Brushed Nickel
<b>GBL-FPLV-WH</b>	Horizontal Louvered Trim	White
<b>GBL-FPLV-B</b>	Horizontal Louvered Trim	Black
<b>GBL-FPLV-BZ</b>	Horizontal Louvered Trim	Bronze
<b>GBL-FPLV-BN</b>	Horizontal Louvered Trim	Brushed Nickel
<b>GBL-FPH-WH</b>	Horizontal Scoop Trim	White
<b>GBL-FPH-B</b>	Horizontal Scoop Trim	Black
<b>GBL-FPH-BZ</b>	Horizontal Scoop Trim	Bronze
<b>GBL-FPH-BN</b>	Horizontal Scoop Trim	Brushed Nickel

## ACCESSORIES

<b>GBL-SMB</b>	(2) Brick Light Stud Mounting Brackets (Hanger Bars) w/Screws
----------------	---



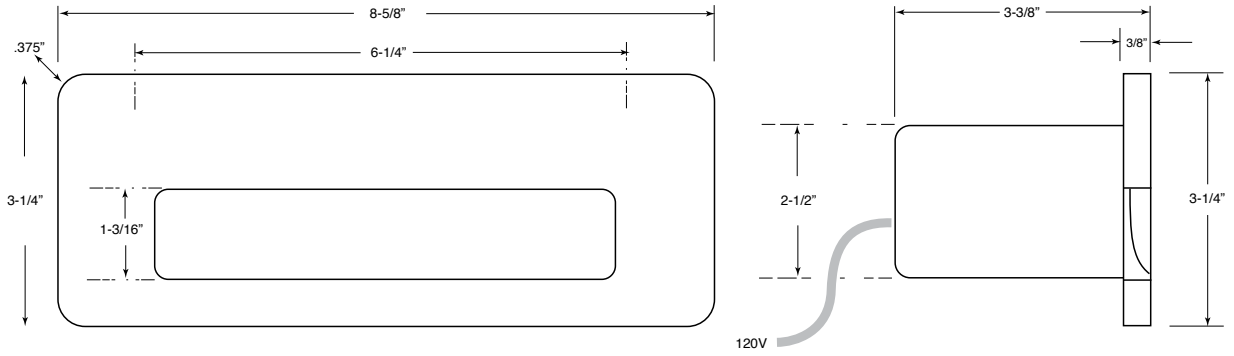
**GBL-MO** Rough-in housing and **GBL-FPO-B** Horizontal open trim in black.



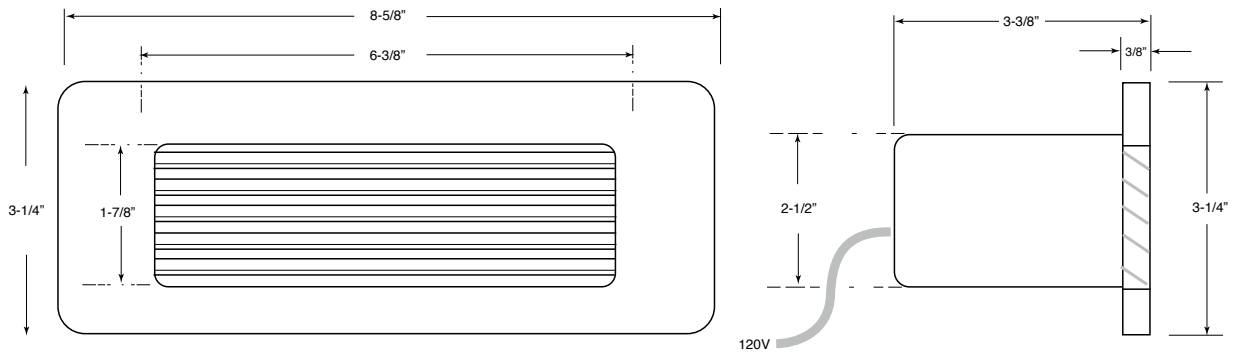
**GBL-SMB** Hanger Bars

# 120V BRICK LIGHT DIAGRAMS

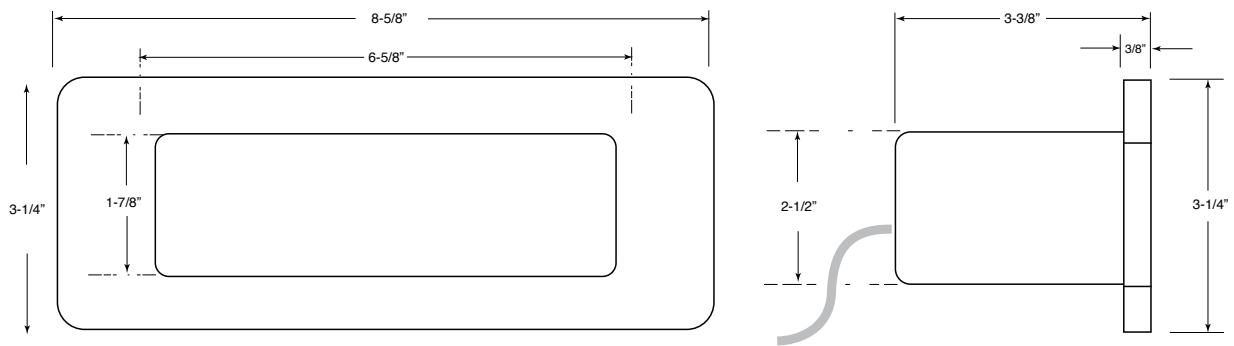
## HORIZONTAL

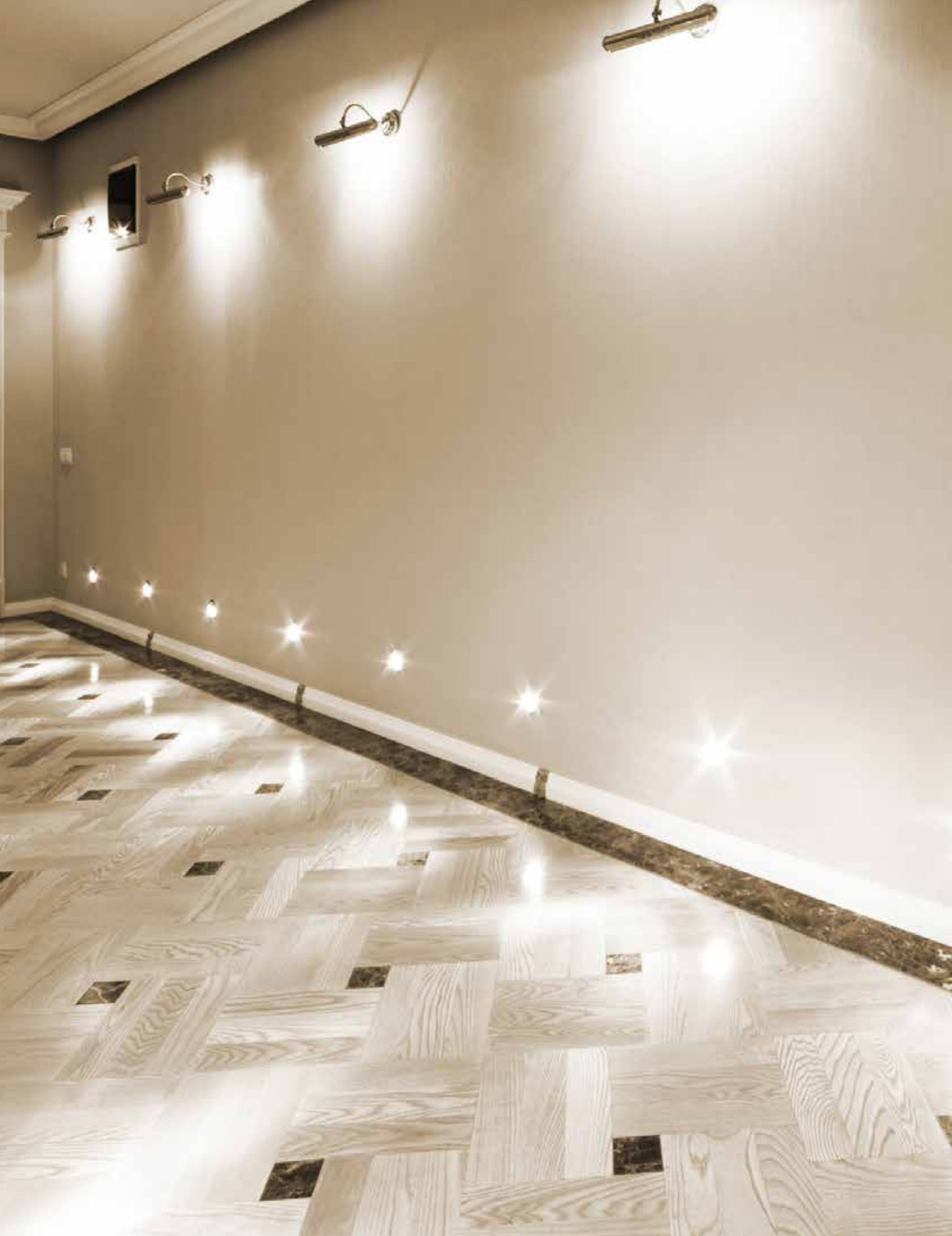


## LOUVER



## OPEN









# 12VDC WET LOCATION LED PATHWAY LIGHT

**12 VOLT**

**JWET LOCATION**

**80+ CRI**

**5 Yr WARRANTY**

**ETL Intertek**



GML-SO-B



GML-RO-BN



GML-SO-W



GML-RS-B



GML-SO-BN



GML-RO-B

## PRODUCT DESCRIPTION

Pathway or Perimeter lighting enables unobtrusive yet powerful 'marker' lights to define simple or complex pathways, driveways, property lines, etc. Additionally, these miniature luminaires can also be used as wet location accent lights. Available in open lens round or square formats, or as a round scoop trim. White, Black or Brushed Nickel.

Fixture dimensions on next page.

NOTE: For indoor use with PSD power supply (page 200). For outdoor use, a wet location electronic power supply must be used.

## KEY FEATURES

- 12VDC
- 3000K
- Dimmable
- Easy to install and daisy-chain
- 90 lumens
- ETL
- 5 year warranty



Watch the Pathway Light Video!

## ORDERING INFORMATION

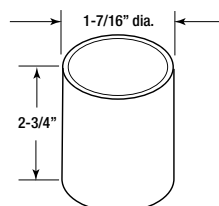
Catalog No.	Style	Wattage	Lumens	Beam Angle	Color Temp	Finish
GML-RO-B	Round Trim	1W	90	45°	3000K	Black
GML-RO-BN	Round Trim	1W	90	45°	3000K	Brushed Nickel
GML-RO-W	Round Trim	1W	90	45°	3000K	White
GML-RS-B	Round Scoop Trim	1W	90	45°	3000K	Black
GML-RS-BN	Round Scoop Trim	1W	90	45°	3000K	Brushed Nickel
GMS-RS-W	Round Scoop Trim	1W	90	45°	3000K	White
GML-SO-B	Square Trim	1W	90	45°	3000K	Black
GML-SO-BN	Square Trim	1W	90	45°	3000K	Brushed Nickel
GML-SO-W	Square Trim	1W	90	45°	3000K	White

Comes with 48" leads.

## ACCESSORIES

**INGROUND SLEEVE FOR CONCRETE OR SOIL INSTALLATION**

GML-SL 1-7/16" DIA. x 2-3/4" H COLLAR



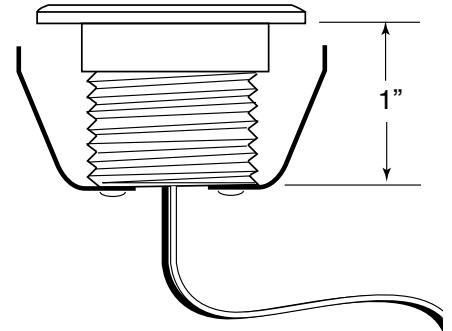
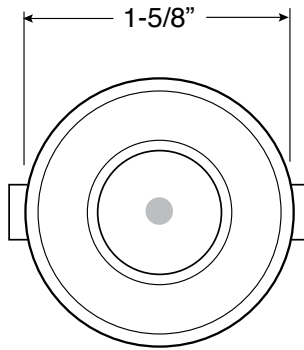
## PRODUCT NOTES:

Not suitable for salt water or chlorine pool environments  
Installation instructions and spec sheet available for download. View this product on [www.gmlighting.net](http://www.gmlighting.net)

# 12VDC WET LOCATION LED PATHWAY LIGHT DIAGRAMS

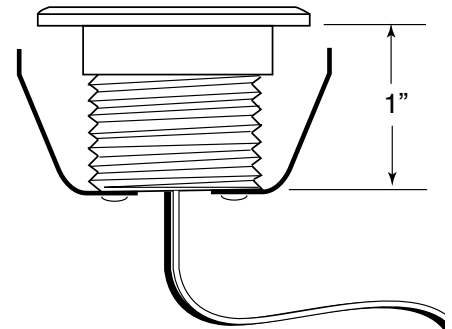
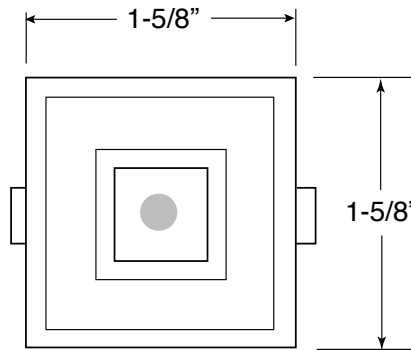
GML-RO SERIES  
OPEN LENS  
ROUND TRIM

CUT-OUT DIMENSION: 1-3/8"



GML-SO SERIES  
OPEN LENS  
SQUARE TRIM

CUT-OUT DIMENSION: 1-3/8"



GML-RS SERIES  
SCOOP LENS  
ROUND TRIM

CUT-OUT DIMENSION: 1-3/8"

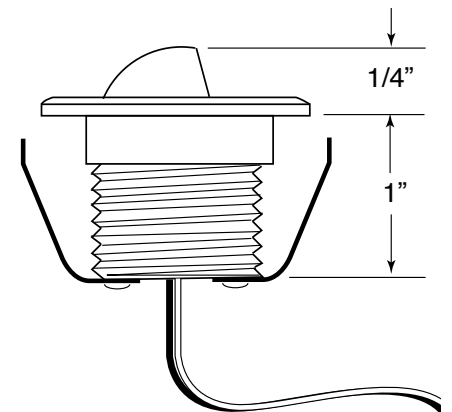
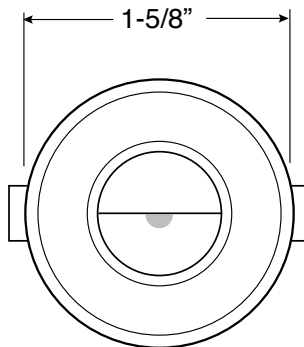






Photo Credit: Lighting Solutions / FROMM Andrew Smith

# Commercial / Specialty Lighting

120-277V GRIDTASK LED  
LINEAR CEILING  
ILLUMINATION ..... 190



# 120-277V GRIDTASK LED LINEAR SUSPENDED CEILING ILLUMINATION



- 120-277  
VOLT**
- DAMP  
LOCATION**
- IC  
RATED**
- DIM  
0-10**
- 5 Yr.  
WARRANTY**
- UL  
C US**

## PRODUCT DESCRIPTION

Imagine a combination of LED module and T-Grid bracket, integrated into a ceiling panel configuration, and providing up to 130 lumens per watt of illumination. Now imagine GridTask from GM Lighting - a new paradigm in office and commercial lighting that enlarges the lumen spread over the entire space.'

Install as new lighting or retrofit into standard 15/16" (G1) or 9/16" (G2) T-Grid suspended ceilings. GridTask can replace selected cross tees of the grid ceiling suspension system.

## KEY FEATURES

- 120-277V operation
- 3500K, 4000K
- 0-10 Dimming  
DIVA-DVTV (Lutron), NOVA-NTSV-TV
- 120° beam spread
- Up to 2600 lumens
- Damp location
- Diode free illumination
- Efficacy 130LPW
- Integral plug-in junction box
- Match with dedicated power supplies (below)
- LM70 / 5 year warranty

## ORDERING INFORMATION

Catalog No.	Length	Wattage	Lumens	Color Temp	CRI	Grid
TGB-2-35-G1	2 ft.	10W	1300	3500K	80+	15/16" (G1)
TGB-2-40-G1	2 ft	10W	1300	4000K	80+	15/16" (G1)
TGB-2-35-G2	2 ft.	10W	1300	3500K	80+	9/16" (G2)
TGB-2-40-G2	2 ft	10W	1300	4000K	80+	9/16" (G2)
TGB-4-35-G1	4 ft	20W	2600	3500K	80+	15/16" (G1)
TGB-4-40-G1	4 ft	20W	2600	4000K	80+	15/16" (G1)
TGB-4-35-G2	4 ft	20W	2600	3500K	80+	9/16" (G2)
TGB-4-40-G2	4 ft	20W	2600	4000K	80+	9/16" (G2)

## POWER SUPPLIES

Catalog No.	Description
TGB-2-PS-30	2 ft. Power Supply 30W, max. 3 bars
TGB-2-EM8W	30W max. / 3 bar - Plug & Play with Emergency Battery - 90 minutes
TGB-C-EXT-12	T-Grid LED Linear Bar, 12 ft. Back CAT5 Cable Power Feed Extender

Catalog No.	Description
TGB-4-PS-60	4 ft. Power Supply, 60W, max. 3 bars
TGB-4-EM8W	60W Max / 3 Bar - Plug and Play with Emergency Battery - 90 minutes

## PRODUCT NOTES:

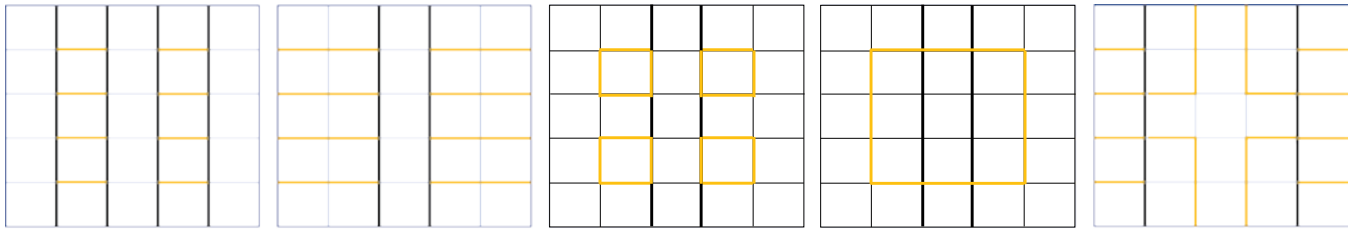
Installation instructions and spec sheet available for download.

View this product on [www.gmlighting.net](http://www.gmlighting.net)



# 120-277V GRIDTASK LED

This application requires additional support from above ceiling.



Typical Layout 2 ft. (individual)

Typical Layout 4 ft. (individual)

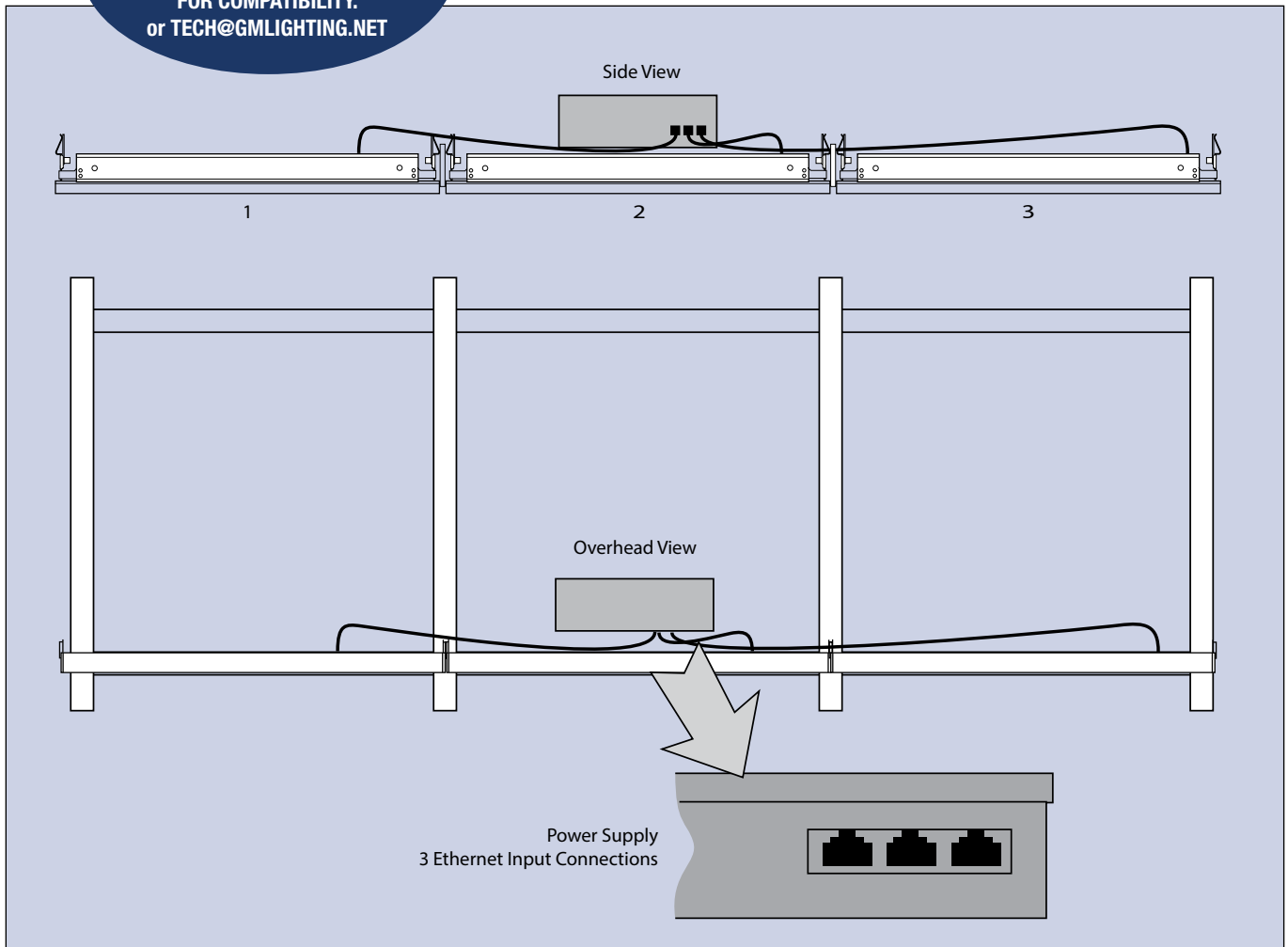
Typical Layout 2 ft. & 4 ft. (square patterns w/ 90° corners)

Typical Layout 2 ft. & 4 ft. (square patterns w/ 90° corners)

Typical Layout 2 ft. & 4 ft. (90° angle)

Note:  GridTask Lights  
 Ceiling Main Beams

**IMPORTANT!**  
 GRIDTASK IS NOT COMPATIBLE WITH ALL CEILING GRID SYSTEMS. CONSULT FACTORY FOR COMPATIBILITY. OR [TECH@GMLIGHTING.NET](mailto:TECH@GMLIGHTING.NET)





**SWITCHLD**  
POWER SUPPLY  
AND DIMMER  
IN ONE SWITCH  
PAGE 194



# Power Supplies



SWITCHLD 12V/24V POWER SUPPLY AND DIMMER ..... 194



12VDC / 24VDC MAGNETIC LED DIMMABLE ..... 195



12VDC / 24VDC ELECTRONIC LED NON-DIMMABLE..... 196  
CORD AND PLUG..... 196



12VDC / 24VDC 0-10 DIMMABLE ELECTRONIC ..... 197



12VDC / 24VDC ELECTRONIC LED DIMMABLE ..... 198



24VDC WET LOCATION ELECTRONIC LED DIMMABLE ..... 199



PSD/LTHE ELECTRONIC LED DIMMABLE ..... 200





# SWITCHLD 12VDC/24VDC POWER SUPPLY / WALL DIMMER

**12 VOLT**

**24 VOLT**

**DIMMABLE**

**FCC**

**5 Yr. WARRANTY**

**UL US**

## PRODUCT DESCRIPTION

SwitchLD is a driver and dimmer in one reliable wall switch. SwitchLD drives and dims either 12VDC or 24VDC LED tape and lightbars from your 120VAC current. Available with three interchangeable face plate finishes, SwitchLD fits standard electrical boxes.

- All in one power supply and wall dimmer
- Eliminates compatibility issues found in other dimmers
- Fits in standard recessed electrical box
- 100% -10% • Single pole
- Controls constant voltage light fixtures
- UL listed and FCC approved
- Trim and face plate (right) ordered separately
- 5 year warranty



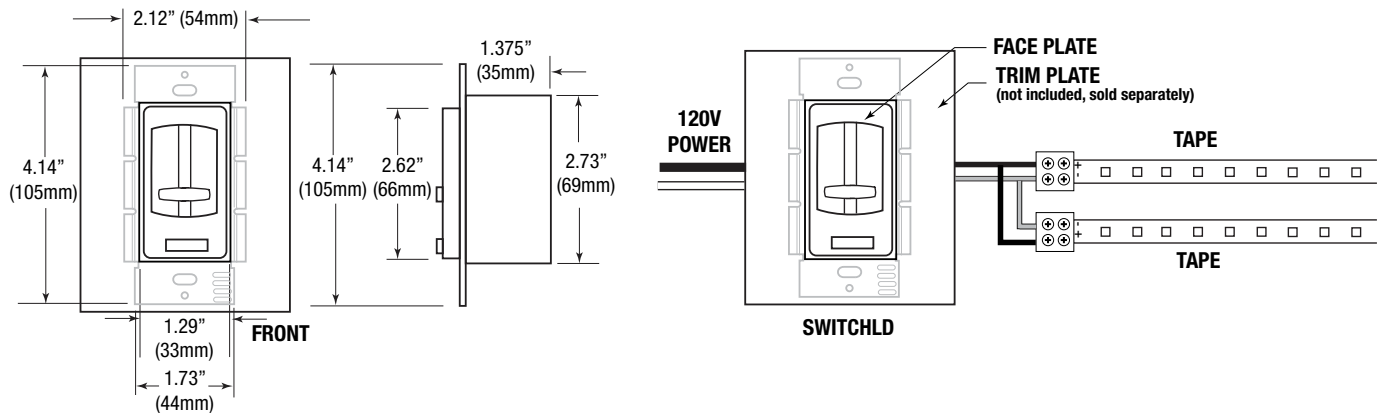
**Dimmer and Driver  
in One Wall Switch**

## ORDERING INFORMATION

Catalog No.	Voltage In	Voltage Out	Watts	Face Plate Finish (See below for more choices)
SWD-40W-12VDC-DIM	120VAC	12VDC	40W	Gloss White
SWD-60W-12VDC-DIM	120VAC	12VDC	60W	Gloss White
SWD-60W-24VDC-DIM	120VAC	24VDC	60W	Gloss White
SWD-100W-24VDC-DIM	120VAC	24VDC	100W	Gloss White

## TRIM & FACE PLATE

Catalog No.	Description
SWD-ALD	Glossy Light Almond Trim and Face Plate
SWD-BRN	Glossy Dark Brown Trim and Face Plate
SWD-BK	Glossy Black Trim and Face Plate
SWD-WH	Glossy White Trim Plate (only)



## 12VDC / 24VDC MAGNETIC LED DIMMABLE POWER SUPPLIES



### PRODUCT DESCRIPTION

LineDRIVE Series 12VDC / 24VDC Magnetic LED Power Supplies are Class 2 rated and designed to operate with standard MLV dimmers. For vertical mounting only.

Encased in a low profile powder coated steel enclosure that includes 2 knock-outs to enable easy installation, these LineDRIVE power supplies are the perfect choice for GM Lighting products.

- Universal input and output
  - 120V/277V dual input
  - 12V / 24V output
- Dimmable (MLV)
- Dims down to 5%
- Steel case
- Class 2
- Nema 3R - outdoor use
- Auto-reset protection for short circuits and over-voltage
- 5 year warranty

An all-in-one power supply with universal input / output and Class 2 multi-channel output



See website and spec sheets for dimmer compatibility



### ORDERING INFORMATION

Catalog No.	Description	Watts	Weight	Dimensions
<b>LD-MD-UNV30</b>	12VDC / 24VDC - 30W - 120V or 277V/60Hz 12V/2.5A - 24V/1.25A - Class 2 Auto reset.	30W	2.5 lbs.	8.27"L x 2.5"W x 1.95"H
<b>LD-MD-UNV60</b>	12VDC / 24VDC - 60W - 120V or 277V/60Hz 12V/5A - 24V/2.5A - Class 2 Auto reset.	60W	4.5 lbs.	8.86"L x 3.31"W x 2.89"H
<b>LD-MD-UNV96-24</b>	24VDC - 96W - 120V or 277V/60Hz - 4 amps - Class 2 Auto reset.	96W	5.1 lbs.	8.86"L x 3.31"W x 2.89"H
<b>LD-MD-UNV150-12</b>	12VDC - 150W - 120V or 277V/60Hz - 4 amps per channel (3) Class 2 - Auto reset - 3 x 50W Channel	150W	9.0 lbs.	11.02"L x 4.88"W x 3.62"H
<b>LD-MD-UNV200-24</b>	24VDC - 192W - 120V or 277V/60Hz - 4 amps per channel (2) Class 2 - Auto reset - 2 x 96W Channel	192W	10.0 lbs.	11.02"L x 4.88"W x 3.62"H
<b>LD-MD-UNV300-24</b>	24VDC - 288W - 120V or 277V/60Hz - 4 amps per channel (3) Class 2 - Auto reset - 3 x 96W Channel	288W	10.5 lbs.	11.02"L x 4.88"W x 3.62"H

Please see our website for updated power supply specifications and information.

# 12VDC / 24VDC ELECTRONIC LED NON-DIMMABLE POWER SUPPLIES

**12/24  
VOLT**

**DRY  
LOCATION**

**CLASS  
2**

**FCC**

**5 Yr.  
WARRANTY**

**UL  
C US**

## PRODUCT DESCRIPTION

LineDRIVE Series 12VDC / 24VDC Electronic LED Power Supplies are Class 2 rated and are designed to work with select LED fixtures that do not require dimming.

Encased in a low profile powder coated steel enclosure that includes 4 knock-outs to enable easy installation, these LineDRIVE power supplies are the perfect choice for our LTR-S RGBW LED tape.

- FCC compliant
- 120-277VAC ±10%
- IP20 for dry and damp location
- 50/60Hz frequency
- ±5% voltage tolerance at full load
- Over voltage protection
- Short circuit protection
- 5 year warranty



## ORDERING INFORMATION

Catalog No.	Description	Watts	Weight	Dimensions
<b>LD-E-UNV30</b>	12VDC / 24VDC - 30W - 120V or 277V - 50/60Hz 12V/2.5A - 24V/1.25A - Class 2 Auto reset.	30W	1.0 lbs.	6.10"L x 3.35"W x 1.33"H
<b>LD-E-UNV60</b>	12VDC / 24VDC - 60W - 120V or 277V - 50/60Hz 12V/5A - 24V/2.5A - Class 2 Auto reset.	60W	2.5 lbs.	8.25"L x 4.10"W x 1.56"H
<b>LD-E-UNV96-24</b>	24VDC - 96W - 120V or 277V - 50/60Hz - 4 amps Class 2 - Auto reset.	96W	2.5 lbs.	8.25"L x 4.10"W x 1.56"H
<b>LD-E-UNV200-24</b>	24VDC - 192W - 120V or 277V - 50/60Hz - 4 amps per channel (2) Class 2 - Auto reset. 2 X 96W channel.	192W	4.7 lbs.	9.50"L x 6.35"W x 1.56"H
<b>LD-E-UNV300-24</b>	24VDC - 288W - 120V or 277V - 50/60Hz - 4 amps per channel (3) Class 2 - Auto reset. 3 X 96W channel.	288W	4.7 lbs.	9.50"L x 6.35"W x 1.56"H

Please see our website for updated power supply specifications and information.

## CORD AND PLUG ORDERING INFORMATION

Catalog No.	Description	Watts	Weight	Dimensions
<b>LTP-2</b>	12VDC - 25W - 2.0 amps - Class 2 - 120V Cord (126") and Plug	25W	10.4 oz.	3.25"L x 1.75"W x 1.25"H
<b>LTP-6</b>	12VDC - 60W - 5.0 amps - Class 2 - 120V Cord (126") and Plug	60W	14.8 oz.	5.50"L x 2.25"W x 1.25"H
<b>LTP24-48</b>	24VDC - 48W - 2 amps - 120V - 120V Cord (72") and plug. Short circuit, overload protection - LED indicator for power on. UL listed	48W	1.8 lbs.	4.68"L x 2.05"W x 1.25"H
<b>LTP24-90</b>	24VDC - 90W - 3.75 amps - 120V - 120V Cord (72") and plug. Short circuit, overload protection - LED indicator for power on. UL listed	90W	1.8 lbs.	4.68"L x 2.05"W x 1.25"H
<b>LTFD-60</b>	12VDC - 60W - Class 2 - 120V Cord and (39") Plug	60W	1.0 lbs.	3.0"L x 1.5"W x 2.0"H
<b>DPPS-24-24V</b>	24VDC - 24W - Class 2 with cord and plug, UL listed	24W	8 oz.	2.75"L x 2"W x 1"H
<b>DPPS-36-24V</b>	24VDC - 36W - Class 2 with cord and plug, UL listed	36W	12 oz.	4"L x 1-3/4"W x 1.125"H

Please see our website for updated power supply specifications and information.



## 0-10 DIMMABLE ELECTRONIC POWER SUPPLIES

**12/24  
VOLT**

**CLASS  
2**

**DRY  
LOCATION**

**DIMMABLE**

**5 Yr.  
WARRANTY**

**FCC**

**ETL  
Intertek**

### PRODUCT DESCRIPTION

GM Lighting's LineDRIVE 0-10 dimmable 60W and 96W LED driver is a compact and light weight powerhouse that features high efficiency that reduces total power consumption.

Provides excellent dimming capabilities for GM Lighting LED products.

- FCC compliant
- No minimum load technology
- 120V/277V input
- Soft start feature
- Constant voltage output - 0-10V dimming (switch by others)
- ETL listed for indoor, dry and damp locations
- Overload / short circuit / over-voltage / thermal protection
- High efficiency to reduce total power consumption
- Compact size and light weight
- 5 year warranty

See website  
and spec sheets  
for dimmer  
compatibility



### ORDERING INFORMATION

Catalog No.	Description	Watts	Weight	Dimensions
<b>LD-ED010-UNV60-12</b>	12VDC - 60W - 120V or 277V/60Hz - 5 amps - Class 2 Auto reset. UL for indoor use	60W	2.9 lbs.	7.55"L x 3.35"W x 1.32"H
<b>LD-ED010-UNV96-24</b>	24VDC - 96W - 120V or 277V/60Hz - 4 amps - Class 2 Auto reset. UL for indoor use	96W	3.15 lbs.	8.25"L x 3.75"W x 1.56"H

Please see our website for updated power supply specifications and information.



Photo Credit: Slater Lighting

## 12VDC / 24VDC ELECTRONIC LED DIMMABLE POWER SUPPLIES

12/24  
VOLT

CLASS  
2



DIMMABLE

5 Yr.  
WARRANTY

FCC



See website  
and spec sheets  
for dimmer  
compatibility

### PRODUCT DESCRIPTION

LineDRIVE Series 12VDC / 24VDC Electronic LED Power Supplies are Class 2 rated and are designed to work with standard ELV/Incandescent TRIAC (leading edge) dimmer switches.

Encased in a low profile enclosure that includes 2 knock-outs to enable easy installation.

- Dimmable - ELV
- 120V / 277V
- Class 2
- 0.95 Power Factor
- > 90% efficiency
- Over current protection
- Short circuit protection
- Min. Load 10%
- FCC compliant
- 5 year warranty



### ORDERING INFORMATION

Catalog No.	Description	Watts	Weight	Dimensions
<b>LD-ED-UNV20-12</b>	12VDC - 20W - 120V or 277V - 50/60Hz - 1.66 amps - Class 2 Auto reset.	20W	.75 lbs.	6.97"L x 2.76"W x 1.40"H
<b>LD-ED-UNV20-24</b>	24VDC - 20W - 120V or 277V - 50/60Hz - 0.83 amps - Class 2 Auto reset.	20W	.75 lbs.	6.97"L x 2.76"W x 1.40"H
<b>LD-ED-UNV40-12</b>	12VDC - 40W - 120V or 277V - 50/60Hz - 3.33 amps - Class 2 Auto reset.	40W	1.3 lbs.	6.97"L x 2.76"W x 1.40"H
<b>LD-ED-UNV40-24</b>	24VDC - 40W - 120V or 277V - 50/60Hz - 1.66 amps - Class 2 Auto reset.	40W	1.3 lbs	6.97"L x 2.76"W x 1.40"H
<b>LD-ED-UNV60-12</b>	12VDC - 60W - 120V or 277V - 50/60Hz - 5.0 amps - Class 2 Auto reset.	60W	1.5 lbs.	6.97"L x 2.76"W x 1.40"H
<b>LD-ED-UNV60-24</b>	24VDC - 60W - 120V or 277V - 50/60Hz - 2.5 amps - Class 2 Auto reset.	60W	1.5 lbs.	6.97"L x 2.76"W x 1.40"H
<b>LD-ED-UNV96-24</b>	24DC - 96W - 120V or 277V - 50/60Hz - 4.0 amps - Class 2 Auto reset.	96W	1.5 lbs.	6.97"L x 2.76"W x 1.40"H
<b>LD-ED-UNV150-12</b>	12VDC - 150W - 120V or 277V - 50/60Hz - 4.16 amps / channel Class 2 - Auto reset. 3 X 50W channels	150W	4.6 lbs	10.20"L x 4.20"W x 1.90"H
<b>LD-ED-UNV200-12*</b>	12VDC - 180W - 120V or 277V - 50/60Hz - 5.0 amps / channel Class 2 - Auto reset. 3 X 60W channels	180W	4.6 lbs.	10.20"L x 4.20"W x 1.90"H
<b>LD-ED-UNV200-24*</b>	24VDC - 192W - 120V or 277V - 50/60Hz - 4.0 amps / channel Class 2 - Auto reset. 2 X 96W channels	192W	4.6 lbs.	10.20"L x 4.20"W x 1.90"H
<b>LD-ED-UNV300-24*</b>	24VDC - 288W - 120V or 277V - 50/60Hz - 4.0 amps / channel Class 2 - Auto reset. 3 X 96W channels	288W	4.75 lbs.	10.20"L x 4.20"W x 1.90"H

\* Can be wired in accordance with Class 2 requirements. Please see our website for updated power supply specifications and information.

# 12VDC / 24VDC ELECTRONIC LED WET LOCATION DIMMABLE POWER SUPPLIES

**12/24  
VOLT**

**CLASS  
2**

**DRY  
LOCATION**

**DIMMABLE**

**5 Yr.  
WARRANTY**

**FCC**

**ETL  
Intertek**

## PRODUCT DESCRIPTION

LineDRIVE Wet Location Series 24VDC Electronic LED Power Supplies are Class 2 rated and designed to work with standard ELV/Incandescent TRIAC (leading edge) dimmer switches. Encased in a low profile light weight aluminum enclosure that includes multiple knock-outs to enable easy installation.

- Dimmable - ELV
- 120V / 277V
- Class 2
- 0.95 Power Factor
- > 90% efficiency
- Over current protection
- Short circuit protection
- Min. Load 10%
- FCC compliant
- 5 year warranty

See website  
and spec sheets  
for dimmer  
compatibility



## ORDERING INFORMATION

Catalog No.	Description	Watts	Weight	Dimensions
<b>LD-EDWP-UNV30-24</b>	24VDC - 30W - 120V or 277V - 50/60Hz - 1.25 amps - Class 2 Auto reset - Wet location	30W	1.87 lbs.	12.125"L x 2.375"W x 1.375"H
<b>LD-EDWP-UNV60-24</b>	24VDC - 60W - 120V or 277V - 50/60Hz - 2.5 amps - Class 2 Auto reset - Wet location	60W	1.87 lbs.	12.125"L x 2.375"W x 1.375"H
<b>LD-EDWP-UNV96-24</b>	24VDC - 96W - 120V or 277V - 50/60Hz - 4 amps - Class 2 Auto reset - Wet location	96W	1.87 lbs.	12.125"L x 2.375"W x 1.375"H
<b>LD-EDWP-UNV200-24</b>	24VDC - 200W - 120V or 277V - 50/60Hz - 4 amps - Class 2 Auto reset - Wet location	200W	4.92lbs.	10.375"L x 4.375"W x 1.375"H
<b>LD-EDWP-UNV300-24</b>	24VDC - 300W - 120V or 277V - 50/60Hz - 4 amps - Class 2 Auto reset - Wet location	300W	4.92lbs.	10.375"L x 4.375"W x 1.375"H

\* Can be wired in accordance with Class 2 requirements. Please see our website for updated power supply specifications and information.



# 12VDC / 24VDC DIMMABLE ELECTRONIC POWER SUPPLIES

**12/24  
VOLT**

**DRY  
LOCATION**

**CLASS  
2**

**5 Yr.  
WARRANTY**

**ETL  
Intertek**

## PRODUCT DESCRIPTION

Our 12VDC and 24VDC PSD series power supplies are constant voltage, Phase/Triac dimmable 15W, 20W, 24W, 60W and 96W drivers.

## COMPATIBLE WITH ELV and CL Dimmers

- 120V input
- High efficiency: up to 80%
- Min. Load 10%
- Protection: short circuit / over voltage
- Integrated junction box for hard wire installation
- Class 2
- 5 year warranty



## ORDERING INFORMATION

Catalog No.	Description	Watts	Weight	Dimensions
PSD15-12	12VDC - 15W - 1.25 amps High efficiency: up to 80%. Input voltage is 120V Output constant voltage: 12VDC - Class 2	15W	0.69 lb.	8-3/8"L x 1-5/8"W x 1-1/2"H
PSD15-24	24VDC - 15W - 1.25 amps High efficiency: up to 80%. Input voltage is 120V Output constant voltage: 12VDC - Class 2	15W	0.69 lb.	8-3/8"L x 1-5/8"W x 1-1/2"H
PSD24-12	12VDC - 24W - 2.0 amps High efficiency: up to 80%. Input voltage is 120V Output constant voltage: 12VDC - Class 2	24W	0.88 lb.	10"L x 1-5/8"W x 1-1/2"H
PSD24-24	24VDC - 24W - 2.0 amps High efficiency: up to 80%. Input voltage is 120V Output constant voltage: 12VDC - Class 2	24W	0.88 lb.	10"L x 1-5/8"W x 1-1/2"H
PSD60-12	12VDC - 60W - 5.0 amps High efficiency: up to 80%. Input voltage is 120V Output constant voltage: 12VDC - Class 2	60W	1.0 lb.	7-1/8"L x 3-3/8"W x 1-3/8"H
PSD60-24	24VDC - 60W - 2.5 amps High efficiency: up to 80%. Input voltage is 120V Output constant voltage: 24VDC - Class 2	60W	1.0 lb..	7-1/8"L x 3-3/8"W x 1-3/8"H
PSD90-24	24VDC - 90W - 3.75 amps High efficiency up to 80%. Input voltage is 120V Output constant voltage: 24VDC - Class 2	90W	1.0 lb.	7-7/8"L x 3-3/8"W x 1-3/8"H
LTHE-20-DIM-12	12VDC - 20W - 1.67 amps High efficiency: >84%. Input voltage is 120V/60Hz. Output constant voltage: 12VDC - Class 2 - ETL listed	20W	0.41 lbs	5-3/4"L x 2-3/8"W x 13/16"H
LTHE-20-DIM-24	24VDC - 20W - .83 amps High efficiency: >84%. Input voltage is 120V/60Hz. Output constant voltage: 24VDC - Class 2 - ETL listed	20W	0.41 lbs.	5-3/4"L x 2-3/8"W x 13/16"H

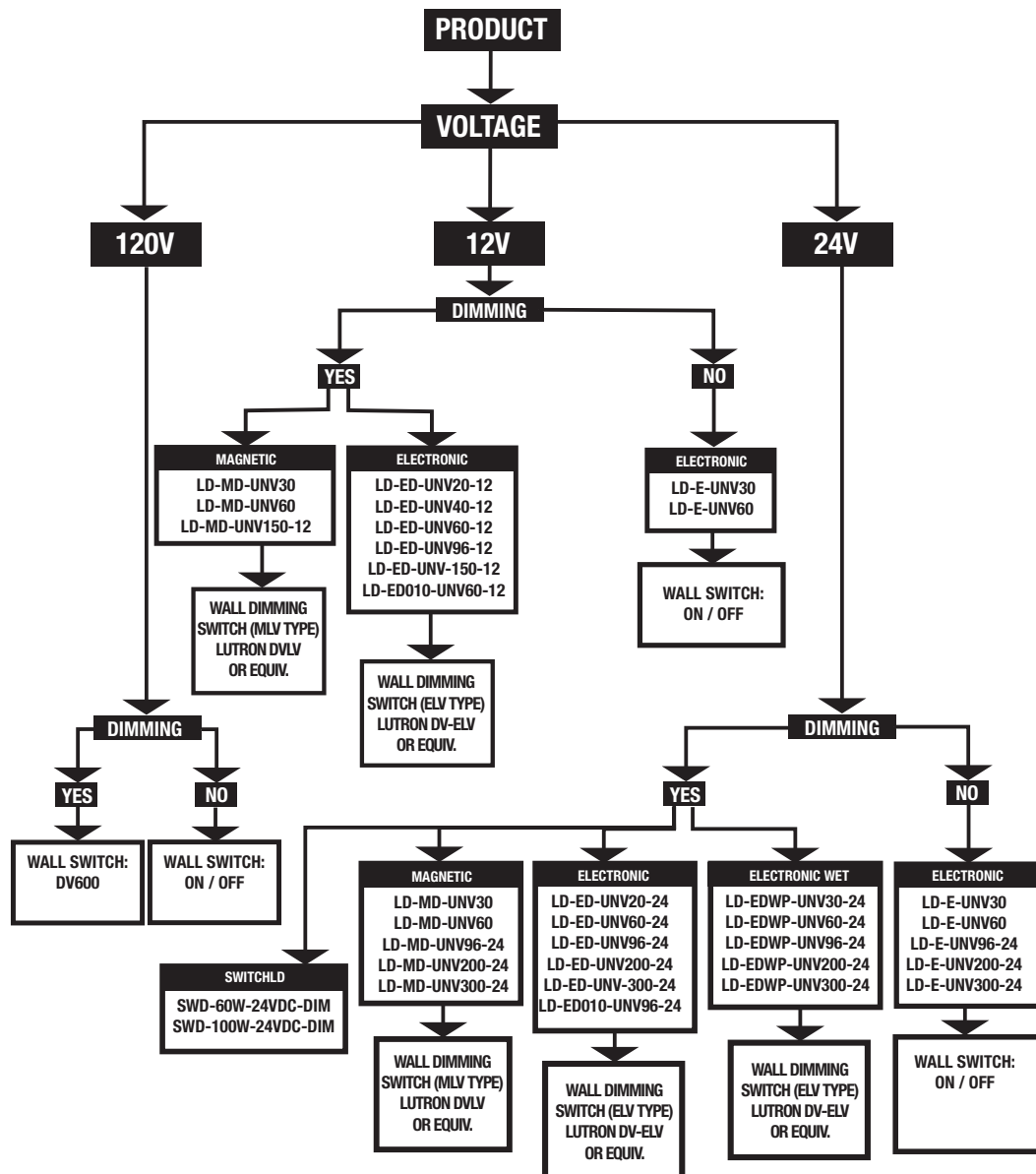
# 12VAC ELECTRONIC REMOTE TRANSFORMERS

GM Lighting's electronic transformers feature economical operation in a light weight compact design.

## ORDERING INFORMATION

Catalog No.	Description	Wattage	Weight	Dimensions
LET60	12VAC - 20W-60W, Class 2	20W - 60W	3.0 oz.	2"L x 1.25"W x .75"D
LET75	12VAC - 20W-75W	20W - 75W	3.1 oz.	2.1"L x 1.4"W x .75"D
LET151	12VAC - 50W - 150W	50@ - 150W	6.8 oz.	3.4"L x 1.38"W x 1"D

## QUICK GUIDE TO PICKING LineDRIVE POWER SUPPLIES



### SELECTING A GM LIGHTING POWER SUPPLY

This flow chart will enable the proper selection of an appropriate power supply for your GM Lighting product. Based on the voltage of the product and whether or not dimming is required - we've covered everything including which wall switch should be used. If you have any other questions, see our website at [www.gmlighting.net](http://www.gmlighting.net), or contact us directly.

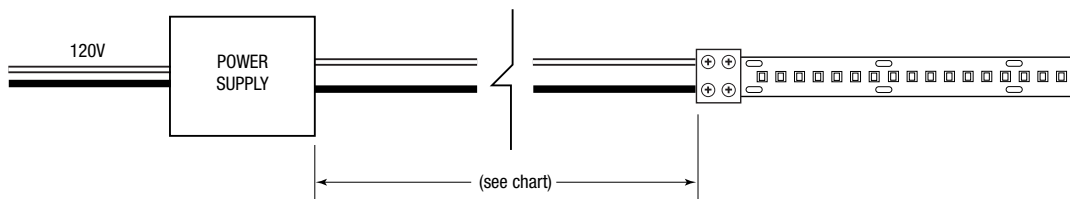
**NOTE: FOR REFERENCE ONLY - PLEASE FOLLOW LOCAL AND NATIONAL CODES.**

# LEDTASK™ VOLTAGE DROP CHART FOR 12VDC

MINIMUM VOLTAGE REQUIRED FOR MAXIMUM LIGHT OUTPUT: 11.3V AT BEGINNING OF RUN  
 THIS CHART INDICATES DC VOLTAGE AT THE BEGINNING OF YOUR LED LINEAR RUN

Wire Size	Distance	Load Current in amps (per run)	
		2 amps / 24W	4 amps / 48W
18 AWG	10 ft. 11.7	11.4	
	25 ft. 11.3	10.5	
	50 ft. 11.0	9.0	
	100 ft.	9.4	6.1
	200 ft.	6.7	
14 AWG	10 ft. 11.9	11.8	
	25 ft. 11.7	11.4	
	50 ft. 11.5	10.8	
	100 ft.	11.09.7	
	200 ft.	10.0	7.6
12 AWG	10 ft. 11.9	11.9	
	25 ft.	11.811.6	
	50 ft. 11.7	11.3	
	100 ft.	11.3	10.5
	200 ft.	10.7	9.0
10 AWG	10 ft. 12.0	11.9	
	25 ft. 11.9	11.8	
	50 ft.	11.811.5	
	100 ft.	11.6	11.1
	200 ft.	11.2	10.2

EXAMPLE: Single Run



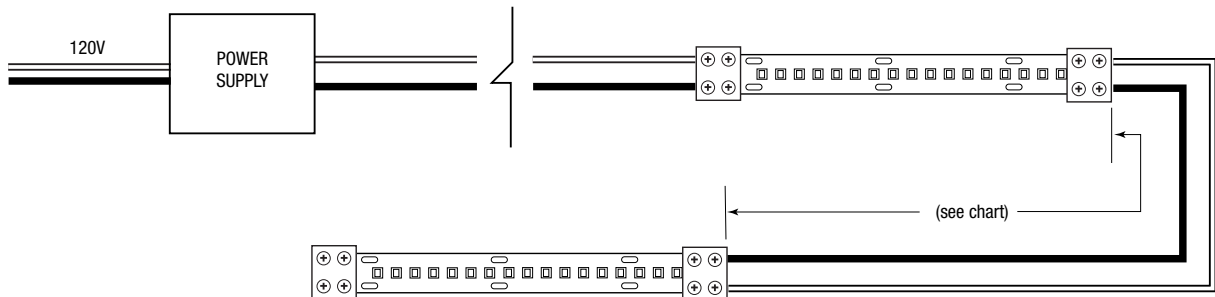


# LEDTASK™ VOLTAGE DROP CHART FOR 24VDC

MINIMUM VOLTAGE REQUIRED FOR MAXIMUM LIGHT OUTPUT: 22.8V AT BEGINNING OF RUN  
 THIS CHART INDICATES DC VOLTAGE AT THE BEGINNING OF YOUR LED LINEAR RUN

Wire Size	Load Current in amps (per run)	
	Distance	4 amps / 96W
18 AWG	10 ft.	22.8
	25 ft.	21.0
	50 ft.	18.0
	100 ft.	
	200 ft.	
14 AWG	10 ft.	23.6
	25 ft.	22.8
	50 ft.	21.6
	100 ft.	19.4
	200 ft.	15.4
12 AWG	10 ft.	23.8
	25 ft.	23.2
	50 ft.	22.6
	100 ft.	21.0
	200 ft.	18.0
10 AWG	10 ft.	23.8
	25 ft.	23.6
	50 ft.	23.0
	100 ft.	22.2
	200 ft.	20.4

EXAMPLE: Multi Run









# Index

18-2-WIRE-1FT .....	53	CL48-TUN .....	128
18-2-WIRE-250FT .....	53	CLQB-WH .....	129
18-3-WIRE-1FT .....	53	CP-6 .....	116
18-3-WIRE-250FT .....	53	DMX-LT-995 .....	101
18-4-WIRE-1FT .....	53	DPPS-24-24V .....	196
18-4-WIRE-250FT .....	53	DPPS-36-24V .....	196
18-5-WIRE-1FT .....	53	DPSP-4-B.....	123
18-5-WIRE-250T .....	53	DPSP-4-W.....	123
CHDL-4-WH.....	111	DPSP-8-B .....	123
CHDL-6-WH.....	111	DPSP-8-W.....	123
CHDL-EXT5 .....	111	EDGE-8-27-BZ .....	122
CHDL-EXT10.....	111	EDGE-8-27-W.....	122
CHDL-EXT20 .....	111	EDGE-8-30-BZ.....	122
CHDL-EXTPF20 .....	111	EDGE-8-30-W .....	122
CHDL-UNV-NCP.....	111, 156	EDGE-16-27-BZ.....	122
CHPL-B.....	110	EDGE-16-27-W .....	122
CHPL-BN .....	110	EDGE-16-30-BZ.....	122
CHPL-BZ.....	110	EDGE-16-30-W.....	122
CHPL-WH .....	110	EDGE-24-27-BZ .....	122
CL1-BB-WH .....	129	EDGE-24-27-W .....	122
CL6-BB-WH .....	129	EDGE-24-30-BZ.....	122
CL6-PC-WH .....	129	EDGE-24-30-W .....	122
CL6-PCHW-WH.....	129	EDGE-32-27-BZ .....	122
CL12-BB-WH.....	129	EDGE-32-27-W .....	122
CL24-BB-WH .....	129	EDGE-32-30-BZ.....	122
CL36-BB-WH .....	129	EDGE-32-30-W .....	122
CL9-TUN .....	128	EDGE-90-B .....	123
CL18-TUN .....	128	EDGE-90-W .....	123
CL24-TUN .....	128	EDGE-AB-W .....	123
CL36-TUN .....	128	EDGE-BB-1-B .....	123

# Index

EDGE-BB-1-W.....	123	GBL-SMB.....	182
EDGE-IC-B.....	123	GM-RND5-TUN-WH.....	148
EDGE-IC-W.....	123	GM-RND8-TUN-WH.....	148
EDGE-MS-B.....	123	GM-RND12-TUN-WH.....	148
EDGE-MS-W.....	123	GM-SLD4-30-WH.....	150
EDGE-TD-B.....	123	GM-SLD4-40-WH.....	150
EDGE-TD-W.....	123	GM-SLD6-30-WH.....	150
ESTC-1.....	50	GM-SLD6-40-WH.....	150
ESTC-90.....	50	GM-SLD12-30-WH.....	150
ESTLK-60.....	50	GM-SLD12-40-WH.....	150
ESTW-60.....	50	GM-SLD4-TUN.....	150
ESTW-CO.....	50	GM-SLD6-TUN.....	150
EZ-1.....	116	GM-SLD12-TUN.....	150
EZ-3.....	116	GM-WPSC.....	53
EZ-6.....	116	GM-WPSC-RGBW.....	53
EZ-12.....	116	GMC-FF-3-B.....	123
GBL-FPH-B.....	182	GMC-FF-3-W.....	123
GBL-FPH-BN.....	182	GMC-MF-24-B.....	123
GBL-FPH-BZ.....	182	GMC-MF-24-W.....	123
GBL-FPH-WH.....	182	GMC-MF-39-B.....	123
GBL-FPLV-B.....	182	GMC-MF-39-W.....	123
GBL-FPLV-BN.....	182	GMC-MF-60-B.....	123
GBL-FPLV-BZ.....	182	GMC-MF-60-W.....	123
GBL-FPLV-WH.....	182	GMC-MM-3-B.....	123
GBL-FPO-B.....	182	GMC-MM-3-W.....	123
GBL-FPO-BN.....	182	GMC-MM-6-B.....	123
GBL-FPO-BZ.....	182	GMC-MM-6-W.....	123
GBL-FPO-WH.....	182	GMC-MM-12-B.....	123
GBL-MO.....	182	GMC-MM-12-W.....	123
GBL-MR.....	182	GMC-MM-24-B.....	123

# Index

GMC-MM-24-W.....	123	GMR6-120V-IC-FL-B .....	172
GMC-MM-39-B .....	123	GMR6-120V-IC-WFL-B.....	172
GMC-MM-39-W.....	123	GMR6-120V-IC-SP-BA .....	172
GMC-MM-60-B .....	123	GMR6-120V-IC-FL-BA .....	172
GMC-MM-60-W .....	123	GMR6-120V-IC-WFL-BA .....	172
GMC-PS-24-B .....	123	GMR6-WW-W.....	171
GMC-PS-24-W .....	123	GMR6-WW-B.....	171
GMC-PS-48-B .....	123	GMR6-WW-BA .....	171
GMC-PS-48-W .....	123	GMSB-B.....	53, 170
GMC-PS-60-B .....	123	GMSB-W .....	53, 170
GMC-PS-60-W .....	123	GSL-H-B .....	179
GMC-PS90-60-W.....	123	GSL-H-BN .....	179
GMC-PS90-60-B.....	123	GSL-H-BZ .....	179
GML-RO-B .....	186	GSL-H-WH .....	179
GML-RO-BN.....	186	GSL-LH-B.....	178
GML-RO-W .....	186	GSL-LH-BN .....	178
GML-RS-B.....	186	GSL-LH-BZ.....	178
GML-RS-BN .....	186	GSL-LH-WH .....	178
GML-RS-W .....	186	GSL-LV-B .....	178
GML-SL.....	186	GSL-LV-BN .....	178
GML-SO-B .....	186	GSL-LV-BZ .....	178
GML-SO-BN .....	186	GSL-LV-WH .....	178
GML-SO-W.....	186	GSL-O-B .....	178
GMR4-WW-B.....	170	GSL-O-BN .....	178
GMR4-WW-BA .....	170	GSL-O-BZ .....	178
GMR4-WW-W .....	170	GSL-O-WH .....	178
GMR6-120V-IC-SP-W .....	172	GSL-V-B.....	179
GMR6-120V-IC-FL-W.....	172	GSL-V-BN.....	179
GMR6-120V-IC-WFL-W.....	172	GSL-V-BZ .....	179
GMR6-120V-IC-SP-B .....	172	GSL-V-W .....	179



# Index

JB-1.....	116	LD-ED010-UNV96-24 .....	197
LARC6-8-WW-W.....	127	LD-MD-UNV30 .....	195
LARC6-16-WW-W .....	127	LD-MD-UNV60 .....	195
LARC6-24-WW-W.....	127	LD-MD-UNV96-24 .....	195
LARC6-32-WW-W.....	127	LD-MD-UNV150-12 .....	195
LARC6-MS-W .....	127	LD-MD-UNV200-24.....	195
LARC6-OS-W .....	127	LD-MD-UNV300-24 .....	195
LARC6-TD-W .....	127	LED-CHL.....	56
LD-ED-UNV20-12.....	198	LED-CHL-8.....	56
LD-ED-UNV20-24 .....	198	LED-CHL-45.....	56
LD-ED-UNV40-12.....	198	LED-CHL-45-EC .....	56
LD-ED-UNV40-24 .....	198	LED-CHL-45-MC .....	56
LD-ED-UNV60-12.....	198	LED-CHL-45-1200 .....	56
LD-ED-UNV60-24 .....	198	LED-CHL-45-1200-EC .....	56
LD-ED-UNV96-24 .....	198	LED-CHL-45-1200-MC .....	56
LD-ED-UNV150-12 .....	198	LED-CHL-AMC .....	56
LD-ED-UNV200-12.....	198	LED-CHL-BND.....	57
LD-ED-UNV200-24 .....	198	LED-CHL-BND-8 .....	57
LD-ED-UNV300-24 .....	198	LED-CHL-BND-EC .....	57
LD-EDWP-UNV30-24 .....	199	LED-CHL-BND-MC .....	57
LD-EDWP-UNV60-24 .....	199	LED-CHL-EC .....	56
LD-EDWP-UNV96-24 .....	199	LED-CHL-MI-C8 .....	62
LD-EDWP-UNV200-24.....	199	LED-CHL-MI-CEC .....	62
LD-EDWP-UNV300-24 .....	199	LED-CHL-MI-CMCH8.....	62
LD-E-UNV30 .....	196	LED-CHL-MI-ISC8 .....	60
LD-E-UNV60.....	196	LED-CHL-MI-ISC-EC .....	60
LD-E-UNV96-24.....	196	LED-CHL-MC .....	56
LD-E-UNV200-24 .....	196	LED-CHL-MI-ST8.....	60
LD-E-UNV300-24 .....	196	LED-CHL-MI-ST-EC.....	60
LD-ED010-UNV60-12.....	197	LED-CHL-MI-OSC8.....	60

# Index

LED-CHL-MI-OSC-EC .....	60	LED-CHL-XD-MD-F-DC .....	59
LED-CHL-MI-SST8.....	61	LED-CHL-XD-MD-F-EC .....	59
LED-CHL-MI-SST-EC.....	61	LED-CHL-XD-MD-MC .....	58
LED-CHL-SLIM .....	57	LET60.....	201
LED-CHL-SLIM-BRACKETS .....	57	LET75 .....	201
LED-CHL-SLIM-EC.....	57	LET151.....	201
LED-CHL-W.....	57	LTAB-N-8 .....	130
LED-CHL-W-8.....	57	LTAB-N-16.....	130
LED-CHL-W-AMC .....	57	LTAB-N-24 .....	130
LED-CHL-W-EC .....	57	LTAB-N-8-27 .....	130
LED-CHL-W-MC .....	57	LTAB-N-16-27.....	130
LED-CHL-WOD8.....	61	LTAB-N-24-27 .....	130
LED-CHL-WOD-EC .....	61	LTAB-N-8-PW .....	130
LED-CHL-WOS8 .....	61	LTAB-N-16-PW .....	130
LED-CHL-WOS-EC.....	61	LTAB-N-24-PW.....	130
LED-CHL-XD .....	58	LTAB-N-SB .....	130
LED-CHL-XD-8.....	58	LTB-8.....	131
LED-CHL-XD-AMC.....	58	LTB-16 .....	131
LED-CHL-XD-EC.....	58	LTBC-3 .....	131
LED-CHL-XD-F .....	58	LTBC-12 .....	131
LED-CHL-XD-F-8.....	58	LTBC-24 .....	131
LED-CHL-XD-F-DC .....	58	LTBC-48 .....	131
LED-CHL-XD-F-EC.....	58	LTBC-60 .....	131
LED-CHL-XD-MC.....	58	LTBPC-6 .....	131
LED-CHL-XD-MD.....	58	LTBPC-24 .....	131
LED-CHL-XD-MD-8 .....	58	LTBPC-48 .....	131
LED-CHL-XD-MD-AMC .....	58	LTBPC-60 .....	131
LED-CHL-XD-MD-EC .....	58	LTC-EZ-1 .....	50
LED-CHL-XD-MD-F.....	59	LTC-EZ-3.....	50
LED-CHL-XD-MD-F-8 .....	59	LTC-EZ-12 .....	50

# Index

LTC-EZ-24.....	50	LTR-E-24V-1.5W-27K-100.....	42
LTC-EZ-60.....	50	LTR-E-24V-1.5W-30K-100.....	42
LTCWP-12.....	130	LTR-E-24V-1.5W-35K-100.....	42
LTCWP-24.....	130	LTR-E-24V-1.5W-40K-100.....	42
LTCWP-36.....	130	LTR-P-12V-1.5W-24K-16.....	20
LTCWP-60.....	130	LTR-P-12V-1.5W-27K-16.....	20
LTFD-60.....	196	LTR-P-12V-1.5W-30K-16.....	20
LTHE-20-DIM-12.....	200	LTR-P-12V-1.5W-35K-16.....	20
LTHE-20-DIM-24.....	200	LTR-P-12V-1.5W-40K-16.....	20
LTMC.....	131	LTR-P-12V-1.5W-50K-16.....	20
LTP-2.....	196	LTR-P-12V-1.5W-24K-100.....	20
LTP-6.....	196	LTR-P-12V-1.5W-27K-100.....	20
LTP24-48.....	196	LTR-P-12V-1.5W-30K-100.....	20
LTP24-90.....	196	LTR-P-12V-1.5W-35K-100.....	20
LTR-E-12V-1.5W-27K-16.....	42	LTR-P-12V-1.5W-40K-100.....	20
LTR-E-12V-1.5W-30K-16.....	42	LTR-P-12V-1.5W-50K-100.....	20
LTR-E-12V-1.5W-35K-16.....	42	LTR-P-12V-1.5W-27K-250.....	20
LTR-E-12V-1.5W-40K-16.....	42	LTR-P-12V-1.5W-30K-250.....	20
LTR-E-12V-1.5W-27K-100.....	42	LTR-P-12V-1.5W-35K-250.....	20
LTR-E-12V-1.5W-30K-100.....	42	LTR-P-12V-3.0W-24K-16.....	21
LTR-E-12V-1.5W-35K-100.....	42	LTR-P-12V-3.0W-27K-16.....	21
LTR-E-12V-1.5W-40K-100.....	42	LTR-P-12V-3.0W-30K-16.....	21
LTR-E-12V-1.5W-AM-16.....	42	LTR-P-12V-3.0W-35K-16.....	21
LTR-E-12V-1.5W-BL-16.....	42	LTR-P-12V-3.0W-40K-16.....	21
LTR-E-12V-1.5W-GR-16.....	42	LTR-P-12V-3.0W-50K-16.....	21
LTR-E-12V-1.5W-RD-16.....	42	LTR-P-12V-3.0W-24K-100.....	21
LTR-E-24V-1.5W-27K-16.....	42	LTR-P-12V-3.0W-27K-100.....	21
LTR-E-24V-1.5W-30K-16.....	42	LTR-P-12V-3.0W-30K-100.....	21
LTR-E-24V-1.5W-35K-16.....	42	LTR-P-12V-3.0W-35K-100.....	21
LTR-E-24V-1.5W-40K-16.....	42	LTR-P-12V-3.0W-40K-100.....	21



# Index

LTR-P-12V-3.0W-50K-100 .....	21	LTR-P-24V-4.5W-30K-16 .....	21
LTR-P-24V-1.5W-24K-16 .....	20	LTR-P-24V-4.5W-35K-16 .....	21
LTR-P-24V-1.5W-27K-16 .....	20	LTR-P-24V-4.5W-40K-16 .....	21
LTR-P-24V-1.5W-30K-16 .....	20	LTR-P-24V-4.5W-50K-16 .....	21
LTR-P-24V-1.5W-35K-16 .....	20	LTR-P-24V-4.5W-24K-100 .....	21
LTR-P-24V-1.5W-40K-16 .....	20	LTR-P-24V-4.5W-27K-100 .....	21
LTR-P-24V-1.5W-50K-16 .....	20	LTR-P-24V-4.5W-30K-100 .....	21
LTR-P-24V-1.5W-24K-100 .....	20	LTR-P-24V-4.5W-35K-100 .....	21
LTR-P-24V-1.5W-27K-100 .....	20	LTR-P-24V-4.5W-40K-100 .....	21
LTR-P-24V-1.5W-30K-100 .....	20	LTR-P-24V-4.5W-50K-100 .....	21
LTR-P-24V-1.5W-35K-100 .....	20	LTR-P-24V-5.8W-24K-16 .....	21
LTR-P-24V-1.5W-40K-100 .....	20	LTR-P-24V-5.8W-27K-16 .....	21
LTR-P-24V-1.5W-50K-100 .....	20	LTR-P-24V-5.8W-30K-16 .....	21
LTR-P-24V-1.5W-27K-250 .....	21	LTR-P-24V-5.8W-35K-16 .....	21
LTR-P-24V-1.5W-30K-250 .....	21	LTR-P-24V-5.8W-40K-16 .....	21
LTR-P-24V-1.5W-35K-250 .....	21	LTR-P-24V-5.8W-50K-16 .....	21
LTR-P-24V-3.0W-24K-16 .....	21	LTR-P-24V-5.8W-24K-100 .....	21
LTR-P-24V-3.0W-27K-16 .....	21	LTR-P-24V-5.8W-27K-100 .....	21
LTR-P-24V-3.0W-30K-16 .....	21	LTR-P-24V-5.8W-30K-100 .....	21
LTR-P-24V-3.0W-35K-16 .....	21	LTR-P-24V-5.8W-35K-100 .....	21
LTR-P-24V-3.0W-40K-16 .....	21	LTR-P-24V-5.8W-40K-100 .....	21
LTR-P-24V-3.0W-50K-16 .....	21	LTR-P-24V-5.8W-50K-100 .....	21
LTR-P-24V-3.0W-24K-100 .....	21	LTR-P-WP-24V-1.5W-24K-16 .....	22
LTR-P-24V-3.0W-27K-100 .....	21	LTR-P-WP-24V-1.5W-27K-16 .....	22
LTR-P-24V-3.0W-30K-100 .....	21	LTR-P-WP-24V-1.5W-30K-16 .....	22
LTR-P-24V-3.0W-35K-100 .....	21	LTR-P-WP-24V-1.5W-35K-16 .....	22
LTR-P-24V-3.0W-40K-100 .....	21	LTR-P-WP-24V-1.5W-40K-16 .....	22
LTR-P-24V-3.0W-50K-100 .....	21	LTR-P-WP-24V-1.5W-50K-16 .....	22
LTR-P-24V-4.5W-24K-16 .....	21	LTR-P-WP-24V-1.5W-24K-FT .....	22
LTR-P-24V-4.5W-27K-16 .....	21	LTR-P-WP-24V-1.5W-27K-FT .....	22

# Index

LTR-P-WP-24V-1.5W-30K-FT .....	22	LTR-P-WP-24V-3.0W-24K-100 .....	23
LTR-P-WP-24V-1.5W-35K-FT.....	22	LTR-P-WP-24V-3.0W-27K-100 .....	23
LTR-P-WP-24V-1.5W-40K-FT .....	22	LTR-P-WP-24V-3.0W-30K-100.....	23
LTR-P-WP-24V-1.5W-50K-FT .....	22	LTR-P-WP-24V-3.0W-35K-100.....	23
LTR-P-WP-24V-1.5W-24K-100.....	22	LTR-P-WP-24V-3.0W-40K-100.....	23
LTR-P-WP-24V-1.5W-27K-100.....	22	LTR-P-WP-24V-3.0W-50K-100.....	23
LTR-P-WP-24V-1.5W-30K-100 .....	22	LTR-P-WP-24V-5.8W-24K-16 .....	23
LTR-P-WP-24V-1.5W-35K-100.....	22	LTR-P-WP-24V-5.8W-27K-16 .....	23
LTR-P-WP-24V-1.5W-40K-100 .....	22	LTR-P-WP-24V-5.8W-30K-16 .....	23
LTR-P-WP-24V-1.5W-50K-100 .....	22	LTR-P-WP-24V-5.8W-35K-16 .....	23
LTR-P-WP-24V-1.5-AM-FT.....	23	LTR-P-WP-24V-5.8W-40K-16 .....	23
LTR-P-WP-24V-1.5-BL-FT.....	23	LTR-P-WP-24V-5.8W-50K-16 .....	23
LTR-P-WP-24V-1.5-GR-FT .....	23	LTR-P-WP-24V-5.8W-27K-FT .....	23
LTR-P-WP-24V-1.5-RD-FT .....	23	LTR-P-WP-24V-5.8W-30K-FT.....	23
LTR-P-WP-24V-1.5-AM-100.....	23	LTR-P-WP-24V-5.8W-35K-FT.....	23
LTR-P-WP-24V-1.5-BL-100.....	23	LTR-P-WP-24V-5.8W-40K-FT.....	23
LTR-P-WP-24V-1.5-GR-100 .....	23	LTR-P-WP-24V-5.8W-50K-FT.....	23
LTR-P-WP-24V-1.5-RD-100 .....	23	LTR-P-WP-24V-5.8W-24K-100 .....	23
LTR-P-WP-24V-3.0W-24K-16 .....	23	LTR-P-WP-24V-5.8W-27K-100 .....	23
LTR-P-WP-24V-3.0W-27K-16 .....	23	LTR-P-WP-24V-5.8W-30K-100.....	23
LTR-P-WP-24V-3.0W-30K-16 .....	23	LTR-P-WP-24V-5.8W-35K-100.....	23
LTR-P-WP-24V-3.0W-35K-16 .....	23	LTR-P-WP-24V-5.8W-40K-100.....	23
LTR-P-WP-24V-3.0W-40K-16 .....	23	LTR-P-WP-24V-5.8W-50K-100.....	23
LTR-P-WP-24V-3.0W-50K-16 .....	23	LTR-P-WP-EC .....	51
LTR-P-WP-24V-3.0W-24K-FT.....	23	LTR-P-WP-TPC-12.....	51
LTR-P-WP-24V-3.0W-27K-FT .....	23	LTR-P-WP-TTC-3 .....	51
LTR-P-WP-24V-3.0W-30K-FT.....	23	LTR-P-WP-TTC-6 .....	51
LTR-P-WP-24V-3.0W-35K-FT.....	23	LTR-P-WP-TTC-12 .....	51
LTR-P-WP-24V-3.0W-40K-FT.....	23	LTR-P-WP-TTC-24 .....	51
LTR-P-WP-24V-3.0W-50K-FT.....	23	LTR-S-24V-2.5W-27K-16 .....	28

# Index

LTR-S-24V-2.5W-30K-16 .....	28	LTR-S-COB-24V-1.5W-35K-100 .....	30
LTR-S-24V-2.5W-35K-16 .....	28	LTR-S-COB-24V-1.5W-40K-100 .....	30
LTR-S-24V-2.5W-40K-16 .....	28	LTR-S-COBWP-24V-1.5W-27K-FT .....	31
LTR-S-24V-2.5W-27K-100 .....	28	LTR-S-COBWP-24V-1.5W-30K-FT .....	31
LTR-S-24V-2.5W-30K-100 .....	28	LTR-S-COBWP-24V-1.5W-25K-FT .....	31
LTR-S-24V-2.5W-35K-100 .....	28	LTR-S-COBWP-24V-1.5W-40K-FT .....	31
LTR-S-24V-2.5W-40K-100 .....	28	LTR-S-COBWP-24V-3.0W-27K-FT .....	31
LTR-S-24V-5.8W-27K-16 .....	28	LTR-S-COBWP-24V-3.0W-30K-FT .....	31
LTR-S-24V-5.8W-30K-16 .....	28	LTR-S-COBWP-24V-3.0W-35K-FT .....	31
LTR-S-24V-5.8W-35K-16 .....	28	LTR-S-COBWP-24V-3.0W-40K-FT .....	31
LTR-S-24V-5.8W-40K-16 .....	28	LTR-S-COBWP-24V-1.5W-27K-32 .....	31
LTR-S-24V-5.8W-27K-100 .....	28	LTR-S-COBWP-24V-1.5W-30K-32 .....	31
LTR-S-24V-5.8W-30K-100 .....	28	LTR-S-COBWP-24V-1.5W-25K-32 .....	31
LTR-S-24V-5.8W-35K-100 .....	28	LTR-S-COBWP-24V-1.5W-40K-32 .....	31
LTR-S-24V-5.8W-40K-100 .....	28	LTR-S-COBWP-24V-3.0W-27K-32 .....	31
LTR-S-24V-3.0W-RGBW-16 .....	40	LTR-S-COBWP-24V-3.0W-30K-32 .....	31
LTR-S-24V-3.0W-RGBW-32 .....	40	LTR-S-COBWP-24V-3.0W-35K-32 .....	31
LTR-S-24V-6.0W-RGBW-16 .....	40	LTR-S-COBWP-24V-3.0W-40K-32 .....	31
LTR-S-24V-WP-3.0W-RGBW-16 .....	40	LTR-S-HO-24V-8W-27K-FT .....	29
LTR-S-24V-WP-3.0W-RGBW-32 .....	40	LTR-S-HO-24V-8W-30K-FT .....	29
LTR-S-COB-24V-1.5W-27K-16 .....	30	LTR-S-HO-24V-8W-35K-FT .....	29
LTR-S-COB-24V-1.5W-30K-16 .....	30	LTR-S-HO-24V-8W-40K-FT .....	29
LTR-S-COB-24V-1.5W-35K-16 .....	30	LTR-S-HO-24V-8W-27K-100 .....	29
LTR-S-COB-24V-1.5W-40K-16 .....	30	LTR-S-HO-24V-8W-30K-100 .....	29
LTR-S-COB-24V-3.0W-27K-16 .....	30	LTR-S-HO-24V-8W-35K-100 .....	29
LTR-S-COB-24V-3.0W-30K-16 .....	30	LTR-S-HO-24V-8W-40K-100 .....	29
LTR-S-COB-24V-3.0W-35K-16 .....	30	LTR-S-DTW-24V-3.0W-16 .....	36
LTR-S-COB-24V-3.0W-40K-16 .....	30	LTR-S-SV-12V-1.5W-27K-16 .....	37
LTR-S-COB-24V-1.5W-27K-100 .....	30	LTR-S-SV-12V-1.5W-30K-16 .....	37
LTR-S-COB-24V-1.5W-30K-100 .....	30	LTR-S-SV-12V-1.5W-35K-16 .....	37



# Index

LTR-S-SV-12V-1.5W-40K-16 .....	37	LTW-EZ-60.....	50
LTR-S-TUN-24V-1.5W-16 .....	35	MDL-3AR-27-WH .....	167
LTR-S-TUN-24V-3.0W-16.....	35	MDL-3AR-30-WH .....	167
LTR-S-TUN-24V-5.0W-16.....	35	MDL-3R-27-WH .....	166
LTR-S-TUN-24V-1.5W-FT .....	35	MDL-3R-30-WH .....	166
LTR-S-TUN-24V-3.0W-FT .....	35	MDL-3S-30-WH .....	166
LTR-S-TUN-24V-5.0W-FT .....	35	MDL-3S-35-WH .....	166
LTR-S-TUN-24V-1.5W-100 .....	35	MDL-4AR-27-WH .....	168
LTR-S-TUN-24V-3.0W-100 .....	35	MDL-4AR-30-WH .....	168
LTR-S-TUN-24V-5.0W-100 .....	35	MDL-4R-27-WH .....	168
LTR-S-TUN-24V-90W .....	107	MDL-4R-30-WH .....	168
LTR-S-TUN-24V-180W.....	107	MDL-4S-27-WH.....	168
LTR-S-TUN-SP.....	35	MDL-4S-30-WH .....	168
LTR-S-TUN-SW.....	107	MDL-5FT-EXT .....	168
LTR-S-TUN-SYS.....	107	MDL-10FT-EXT .....	168
LTR-S-TUN-TPC60 .....	35	MDL-20FT-EXT .....	168
LTR-S-TUN-TTC3.....	35	MTR1-5CCT-W.....	156
LTR-S-TUN-TTC12 .....	35	MTR1-5CCT-B .....	156
LTR-S-TUN-TTC24.....	35	MTR2-5CCT-W .....	156
LTR-S-TUN-TTC36.....	35	MTR2-5CCT-B.....	156
LTR-S-TUN-TTC60 .....	35	MTS1-5CCT-W.....	156
LTR-S-TW-12V-2.2W-27K-16 .....	37	MTS1-5CCT-B .....	156
LTR-S-TW-12V-2.2W-30K-16.....	37	MTS2-5CCT-W .....	156
LTR-S-TW-12V-2.2W-35K-16 .....	37	MTS2-5CCT-B.....	156
LTR-S-TW-12V-2.2W-40K-16.....	37	MTRA1-5CCT-W .....	157
LTW-24-WP .....	118	MTRA2-5CCT-W.....	157
LTW-48-WP .....	118	MTRT2-5CCT-W .....	158
LTW-60-WP.....	118	MTST2-5CCT-W .....	158
LTW-EZ-6.....	50	MTRAT2-5CCT-W .....	158
LTW-EZ-24.....	50	NV24S-3W-30K-16.....	76

# Index

NV24S-3W-30K-32 .....	76	NV24T-3W-BL-32.....	78
NV24S-3W-40K-16.....	76	NV24T-3W-GR-16.....	78
NV24S-3W-40K-32 .....	76	NV24T-3W-GR-32 .....	78
NV24S-3W-AM-16.....	76	NV24T-3W-RGBW-16 .....	80
NV24S-3W-AM-32 .....	76	NV24T-3W-RD-16.....	78
NV24S-3W-BL-16.....	76	NV24T-3W-RD-32 .....	78
NV24S-3W-BL-32 .....	76	NV24T-CHL-A4 .....	82
NV24S-3W-GR-16 .....	76	NV24T-CHL-A8 .....	82
NV24S-3W-GR-32.....	76	NV24T-EC.....	82
NV24S-3W-RD-16 .....	76	NV24T-FLEX-CHL.....	82
NV24S-3W-RD-32.....	76	NV24T-MC-A .....	82
NV24S-3W-RGBW-16 .....	80	NV24T-PF-EF8.....	82
NV24S-CHL-A4.....	88	NV24T-PF-BF8.....	82
NV24S-CHL-A8.....	82	NV24T-SP.....	82
NV24S-EC .....	82	NV24T-TTC6.....	82
NV24S-FLEX-CHL .....	82	NV24T-TTC12 .....	82
NV24S-MC-A .....	82	NV24T-TTC24.....	82
NV24S-PF-EF8.....	82	OTR-B.....	172
NV24S-PF-BF8 .....	82	OTR-BN .....	172
NV24S-SP .....	82	OTR-WH .....	172
NV24S-TTC6.....	82	PL24V-27-B.....	137
NV24S-TTC12 .....	82	PL24V-27-BNK .....	137
NV24S-TTC24 .....	82	PL24V-27-BZ .....	137
NV24T-3W-30K-16.....	78	PL24V-27-W .....	137
NV24T-3W-30K-32 .....	78	PL24V-30-B.....	137
NV24T-3W-40K-16.....	78	PL24V-30-BNK .....	137
NV24T-3W-40K-32 .....	78	PL24V-30-BZ.....	137
NV24T-3W-AM-16 .....	78	PL24V-30-W .....	137
NV24T-3W-AM-32 .....	78	PSD15-12.....	200
NV24T-3W-BL-16 .....	78	PSD15-24 .....	200

# Index

PSD24-12 .....	200	RSD-TUN-10FT-EXT .....	164
PSD24-24.....	200	RSD-TUN-20FT-EXT .....	164
PSD60-12 .....	200	S4-2790-WH.....	144
PSD60-24 .....	200	S4-3090-WH .....	144
PSD90-24 .....	200	S4-4090-WH .....	144
PRX-2790-WH .....	147	S4-RKT .....	144
PRX-3090-WH .....	147	S6-2790-WH.....	144
PRX-4090-WH .....	147	S6-3090-WH .....	144
PRX-TUN-WH.....	147	S6-4090-WH .....	144
R6-2790-WH .....	146	S6-RKT .....	144
R6-3090-WH .....	146	S9-2790-WH.....	145
R6-4090-WH .....	146	S9-3090-WH .....	145
R6-2790-BN .....	146	S9-4090-WH .....	145
R6-3090-BN.....	146	S12X12-HO-27 .....	68
R6-4090-BN.....	146	S12X12-HO-30.....	68
R6-RKT.....	146	S12X12-HO-35.....	68
RGBW-DMX-WC.....	101, 102	S12X12-HO-40.....	68
RGBW-RP .....	103	S12X12-RGBW .....	68
RGBW-RTR-EZ-1.....	50	S12X12-RGBW-SSC .....	68
RGBW-RTR-EZ-3 .....	50	S12X12-SO-27.....	68
RGBW-RTR-EZ-12.....	50	S12X12-SO-30 .....	68
RGBW-RTR-EZ-24 .....	50	S12X12-SO-35 .....	68
RGBW-RTR-EZ-36 .....	50	S12X12-SO-40 .....	68
RGBW-RTR-EZ-60 .....	50	S12X12-SSC.....	68
RGBW-RPS-EZ-60 .....	50	SDP-3-B.....	138
RGBW-RWC .....	103	SDP-3-BNK.....	138
RSD-4-TUN.....	164	SDP-3-BZ.....	138
RSD-6-TUN.....	164	SDP-3-W .....	138
RSD-8-TUN.....	164	SHWC.....	98
RSD-TUN-5FT-EXT .....	164	SHWC-CCT .....	98



# Index

SHWC-RGBW .....	98	SPM-1-40-W .....	139
SHWC-RGBW-RPT .....	98	STC-1 .....	50
SHWC-V120 .....	99	STC-90 .....	50
SHWC-V120-RGBW .....	99	STLK-60 .....	50
SHWD .....	100	STW-60 .....	50
SHWO .....	100	STW-CO .....	50
SHWP .....	100	SWD-40W-12VDC-DIM .....	194
SJTW-2W .....	53	SWD-60W-12VDC-DIM .....	194
SJTW-3W .....	53	SWD-60W-24VDC-DIM .....	194
SJTW-5W .....	53	SWD-100W-24VDC-DIM .....	194
SLJR-HSW .....	116	SWD-ALD .....	194
SP-2-27-B .....	136	SWD-ALD .....	194
SP-2-27-BNK .....	136	SWD-BK .....	194
SP-2-27-BZ .....	136	SWD-BRN .....	194
SP-2-27-W .....	136	SWD-WH .....	194
SP-2-30-B .....	136	TGB-2-35-G1 .....	190
SP-2-30-BNK .....	136	TGB-2-35-G2 .....	190
SP-2-30-BZ .....	136	TGB-2-40-G1 .....	190
SP-2-30-W .....	136	TGB-2-40-G2 .....	190
SP-2-40-B .....	136	TGB-4-35-G1 .....	190
SP-2-40-BNK .....	136	TGB-4-35-G2 .....	190
SP-2-40-BZ .....	136	TGB-4-40-G1 .....	190
SP-2-40-W .....	136	TGB-4-40-G2 .....	190
SPM-1-30-B .....	127	TGB-2-PS-30 .....	190
SPM-1-30-BNK .....	139	TGB-4-PS-60 .....	190
SPM-1-30-BZ .....	139	TGB-2-EM8W .....	190
SPM-1-30-W .....	139	TGB-4-EM8W .....	190
SPM-1-40-B .....	139	TGB-C-EXT-12 .....	190
SPM-1-40-BNK .....	139	TOL4-CL .....	59
SPM-1-40-BZ .....	139	TOL4-FR .....	59

# Index

UCLED-8-BZ-DIM-30 .....	116	V120-CHL-4-LENS.....	91
UCLED-8-WH-DIM-30 .....	116	V120-CHL-8.....	91
UCLED-16-BZ-DIM-30 .....	116	V120-CHL-8-LENS .....	91
UCLED-16-WH-DIM-30.....	116	V120-CHL-P-4.....	91
UCLED-24-BZ-DIM-30 .....	116	V120-CHL-P-8.....	91
UCLED-24-WH-DIM-30 .....	116	V120-ECC .....	91
UCLED-32-BZ-DIM-30 .....	116	V120-MC .....	91
UCLED-32-WH-DIM-30 .....	116	V120-PC-4 .....	91
UCTUN-8-BZ.....	114	V120-PC-8.....	91
UCTUN-8-WH .....	114	V120-PCHW-4.....	91
UCTUN-16-BZ .....	114	V120-PCHW-8 .....	91
UCTUN-16-WH.....	114	V120-HO-27-XXX.....	89
UCTUN-24-BZ .....	114	V120-HO-30-XXX.....	89
UCTUN-24-WH .....	114	V120-HO-40-XXX.....	89
UCTUN-32-BZ .....	114	V120-RGBW-XX .....	92
UCTUN-32-WH .....	114	V120-RGBW-CHL4 .....	93
UCTUN-CP6-B .....	115	V120-RGBW-CHL8 .....	93
UCTUN- CP6-WH .....	115	V120-RGBW-CHL-ECC.....	93
UCTUN-EZ-1-WH.....	115	V120-RGBW-CHL-ECCTT.....	93
UCTUN-EZ-6-B .....	115	V120-RGBW-MC .....	93
UCTUN-EZ-6-WH .....	115	V120-RGBW-PCHW8.....	93
UCTUN-EZ-12-B .....	115	V120-RGBW-TTC6.....	93
UCTUN-EZ-12-WH.....	115	V120-RGBW-TTC12 .....	93
UCTUN-QB-B.....	115	V120-RGBW-TTC18 .....	93
UCTUN-QB-WH.....	115	V120-RGBW-TTC24 .....	93
UNV-NCP.....	164	V120-RGBW-CHL-LENS4.....	93
V120-3M-VHB-15 .....	91, 93	V120-RGBW-CHL-LENS8.....	93
V120-3M-VHB-36YD.....	91, 93	V120-RGBW-DMX .....	102
V120-90C .....	91	V120-SHO-27-XXX.....	89
V120-CHL-4.....	91	V120-SHO-30-XXX.....	89

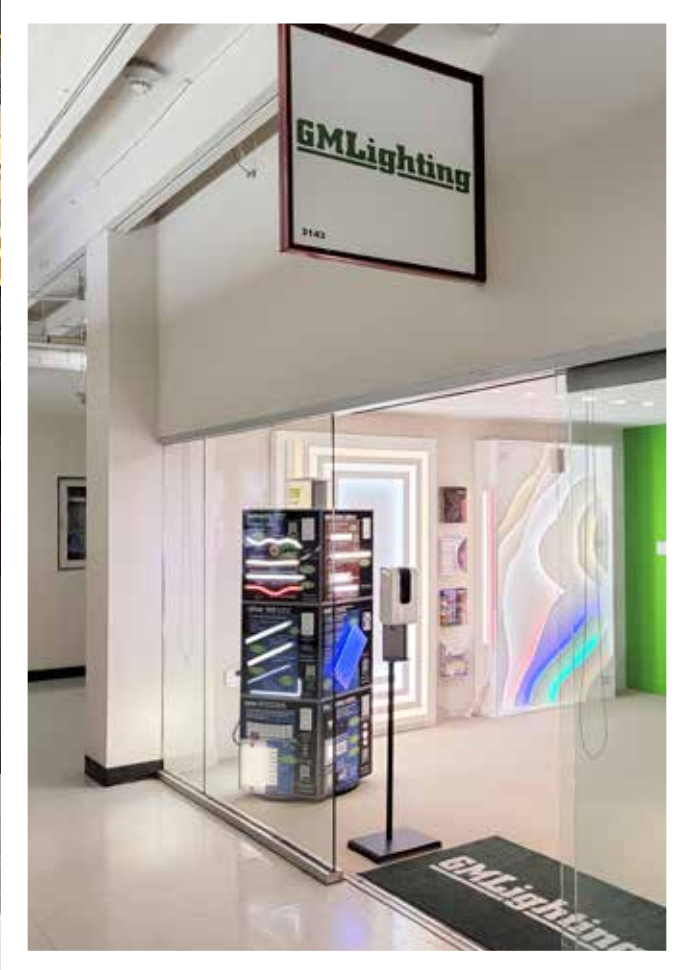
# Index

V120-SHO-40-XXX.....	89
V120-SO-27-XXX .....	89
V120-SO-30-XXX .....	89
V120-SO-40-XXX.....	89
V120-SO-AM-XXX .....	89
V120-SO-BL-XXX .....	89
V120-SO-GR-XXX.....	89
V120-SO-RD-XXX.....	89
V120-TTC-6 .....	91
V120-TTC-12.....	91
V120-TTC-18.....	91
V120-TTC-24 .....	91
VTX-A-24V-5.8W-27K-FT .....	72
VTX-A-24V-5.8W-30K-FT .....	72
VTX-A-24V-5.8W-40K-FT .....	72
VTX-G-24V-5.8W-27K-FT .....	72
VTX-G-24V-5.8W-30K-FT .....	72
VTX-G-24V-5.8W-40K-FT .....	72
VTX-CHL4.....	72
VTX-CHL8.....	72
VTX-CHL-AMC .....	72
VTX-CHL-EC .....	72
VTX-CHL-JC.....	72
VTX-CHL-MC .....	72
VTX-CHL-TTC6 .....	72
VTX-CHL-TTC12.....	72
VTX-CHL-TTC24 .....	72

# NOTES



# NOTES



**VISIT OUR  
SHOWROOM TM3143  
Dallas Market Center  
2100 Stemmons Freeway  
Dallas, TX 75207**



# **GM Lighting®**




18700 Ridgeland Ave., Tinley Park, IL 60477  
Toll-Free: (866) 671-0811 • FAX: (708) 478-2640

[www.gmlighting.net](http://www.gmlighting.net)

e-mail: [sales@gmlighting.net](mailto:sales@gmlighting.net)  
[tech@gmlighting.net](mailto:tech@gmlighting.net)

©2023 GM Lighting  
Specifications subject to change without notice.



 VISIT WEBSITE