

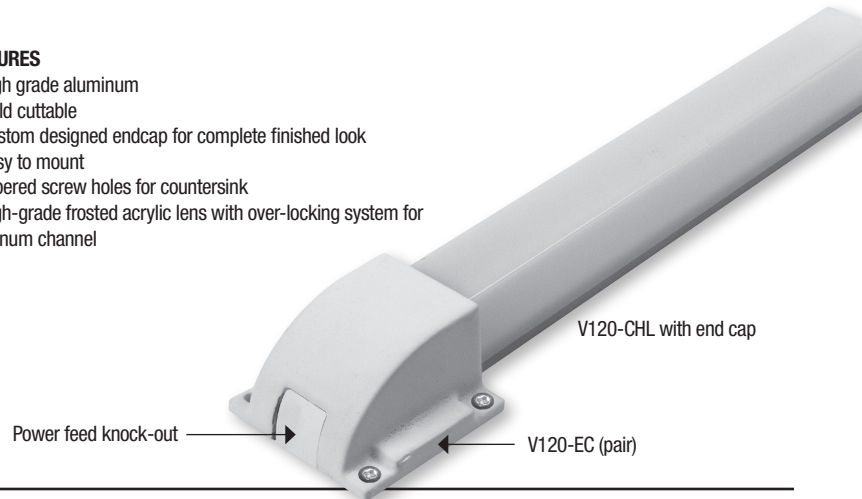
PROJECT	TYPE
CATALOG NUMBER (FOR CUSTOM LENGTHS, PLEASE SEE ORDERING EXAMPLE BELOW)	

FEATURES

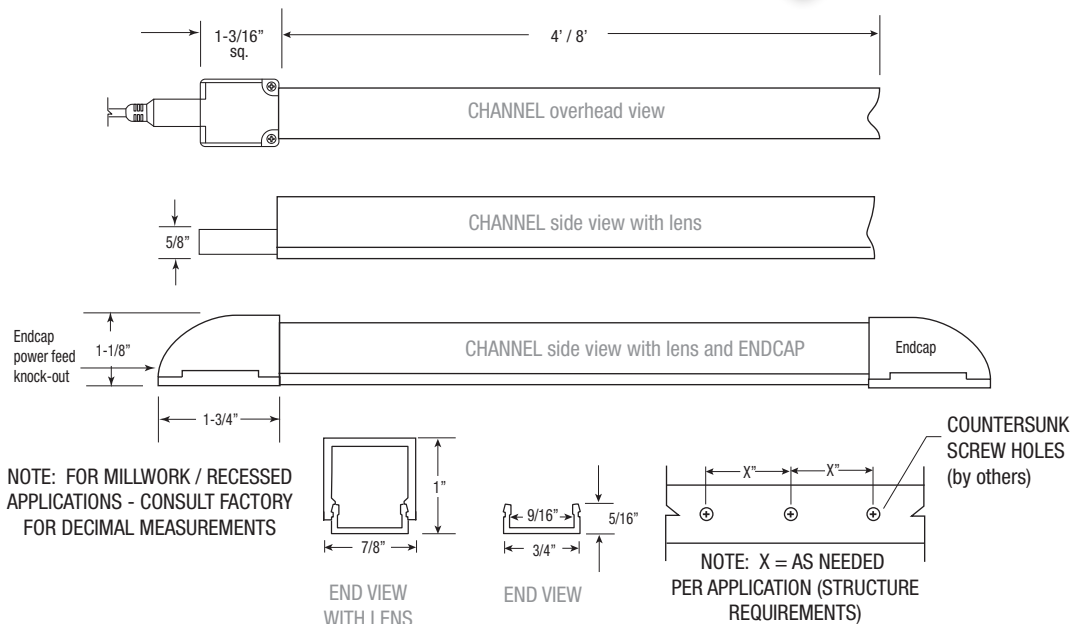
- High grade aluminum
- Field cuttable
- Custom designed endcap for complete finished look
- Easy to mount
- Tapered screw holes for countersink
- High-grade frosted acrylic lens with over-locking system for aluminum channel

PRODUCT DESCRIPTION

Creating a permanent, architectural installation for Vision120 LED tape may require a suitable channel that not only protects the LED tape, but also insures an uninterrupted line of light that is free of hot spots or glare (when using the aluminum channel with frosted lens). Our Vision120 mounting channels are high quality extrusions. Specify either aluminum with lens or plastic. End caps available (sold in pairs). Easy to install.



DIAGRAM



ORDERING INFORMATION

Catalog No.	Description
V120-CHL-4	4' ALUMINUM MOUNTING CHANNEL. LENS SOLD SEPARATELY
V120-CHL-4-LENS	FROSTED LENS FOR 4' ALUMINUM MOUNTING CHANNEL
V120-CHL-8	8' ALUMINUM MOUNTING CHANNEL. LENS SOLD SEPARATELY
V120-CHL-8-LENS	FROSTED LENS FOR 8' ALUMINUM MOUNTING CHANNEL
V120-CHL-P-4	4' PVC MOUNTING CHANNEL (LENS NOT AVAILABLE)
V120-CHL-P-8	8' PVC MOUNTING CHANNEL (LENS NOT AVAILABLE)
V120-CHL-EC	END CAPS (2 WITH MOUNTING SCREWS) FOR ALUMINUM MOUNTING CHANNEL WITH LENS WITH KNOCK-OUT FOR POWER OR CONNECTORS