

BEFORE YOU START:

- Please check local electrical codes before beginning
- Turn power off before installing
- Make sure to use properly rated wire

TOOLS NEEDED:

- Screwdriver to mount tape and/or channel if used.

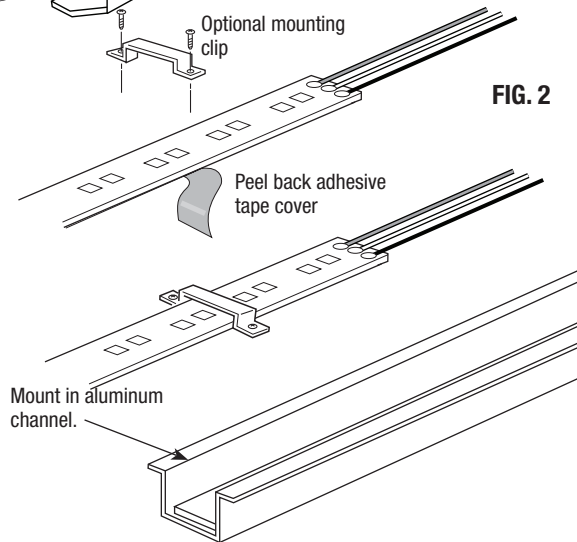
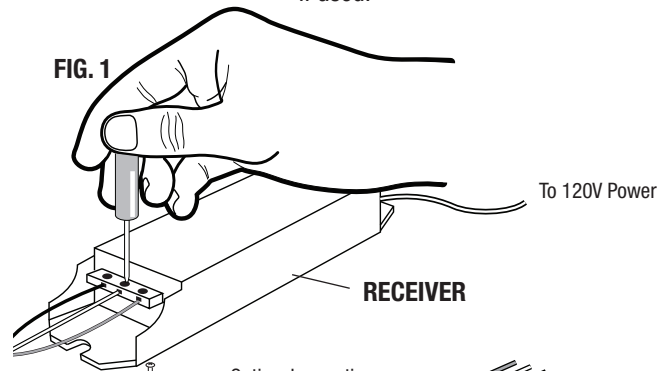
1. DETERMINE YOUR LAYOUT AND PLACEMENT OF REMOTE POWER SUPPLY AND RECEIVER. MOUNT POWER SUPPLY AND CONTROLLER CONCEALING IT FROM EXPOSURE TO INCLEMENT WEATHER AND MOISTURE.

2. CONNECTING TAPE TO POWER: Locate input slots at end of power supply and insert ends of each wire into appropriate slot. Use a screwdriver to tighten down connection. Refer to illustration on instruction sheet or placement diagram on power supply for proper order. (Fig. 1). Consult wiring diagram on back of sheet for connecting multiple lengths of tape.

3. MOUNTING DRY LOCATION TAPE (Fig. 2):

Tape can be mounted several ways:

1. Adhesive: Pull back adhesive tape cover on back of tape and simply press into position.
2. Optional mounting clips: Position optional mounting clip over tape and secure using screws (provided with clips).
3. Mounting channel: To utilize optional GM Lighting aluminum mounting channel, simply peel back adhesive tape cover on back of tape and press into channel. NOTE: Channel ordered separately.

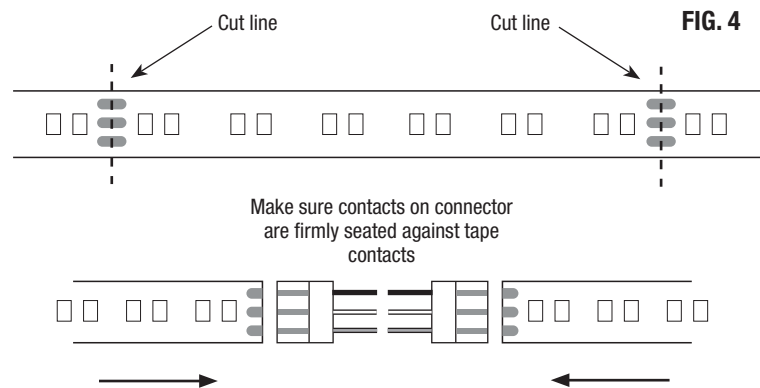


For proper fit, only use channels:
LED-CHL-XD
LED-CHL-XD-F
LED-CHL-W
LED-CHL-45-1200

FIELD CUTTING / SPLICING TWO LENGTHS OF TAPE TOGETHER

4. CUTTING DRY LOCATION TAPE IN THE FIELD (Fig. 4):

TO INSURE A SUCCESSFUL SPLICE, READ THESE INSTRUCTIONS THOROUGHLY. When cutting tape, make sure entire copper contact points are exposed and that connector is properly oriented.



5. USING HAND HELD REMOTE CONTROLLER (Fig. 5):

Controller tuning white from 2700K to 5600K. The hand held remote controller goes 'to sleep' when not in use for 30 seconds.

6. OPERATING INSTRUCTIONS FOR CONTROLLER (Fig. 6):

Hand held remote has been matched to the receiver before it left the factory. If program is automatically deleted, you can learn the program ID as follows: Press ID learning button on receiver for 3 seconds. When the running light is on, then press any key on the remote control. This will cause the running light to flash several times, activating the system. To Cancel ID - Press ID learning button for 5 seconds. **IMPORTANT NOTE: MULTIPLE CONTROLLERS ARE NOT COMPATIBLE WITH FADE MODES, SOLID COLORS ONLY. FOR FADE MODE USE REPEATERS.**

8. WIRING DIAGRAMS (Fig. 7, 8, 9):

Consult wiring diagrams below for single or multiple runs from one receiver.

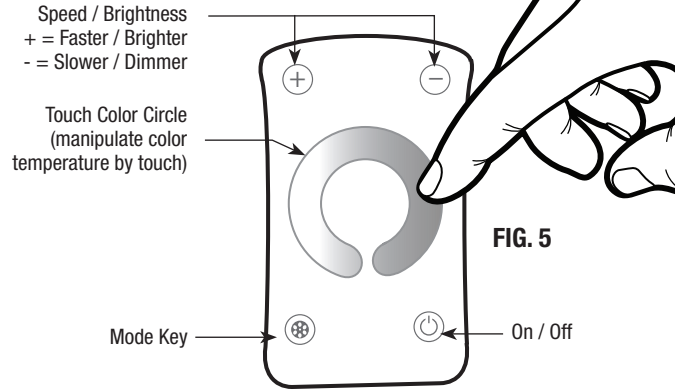


FIG. 6

