

### BEFORE YOU START:

- Please check local electrical codes before beginning
- Turn power off before installing
- Make sure to use properly rated wire

### TOOLS NEEDED:

- Keyhole saw or drill with 4.25" (108mm) bit
- Conduit (by others) if needed

### 1. USING A KEYHOLE SAW (Fig. 1) OR DRILL, CREATE A 4-1/4" (108MM) MOUNTING HOLE IN CEILING

### 2. CONNECTING FIXTURE LEADS TO POWER:

Open the junction box (Fig. 2) and connect, insuring correct polarity (Fig. 3).

### 3. PULL UP SPRINGS:

Before pushing downlight up into ceiling hole, pull up springs (Fig. 4).

### 4. MOUNTING DOWNLIGHT INTO CEILING:

First fit junction box up into hole, followed by downlight. Once fixture is seated, springs will automatically be released to hold downlight firmly in place. (Fig. 5).

### 5. AIMING FIXTURE BEAM:

The GMR10 is adjustable. To aim beam, simply depress and rotate gimble to aim beam in desired position (Fig. 6).

FIG. 1

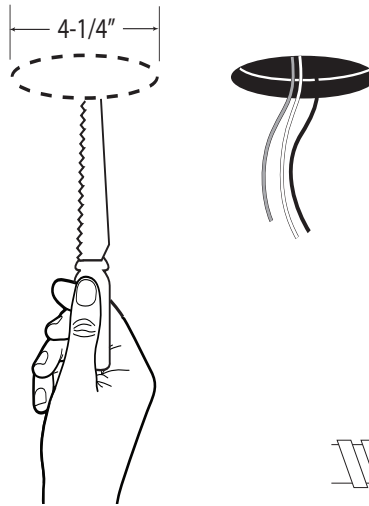


FIG. 2

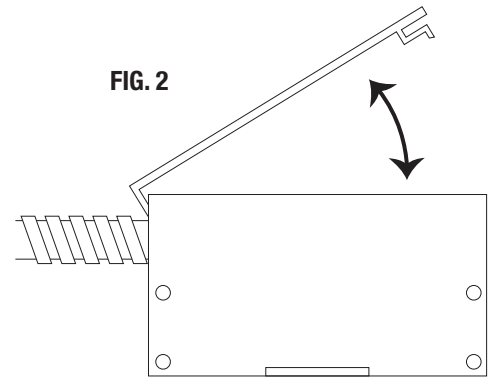


FIG. 4

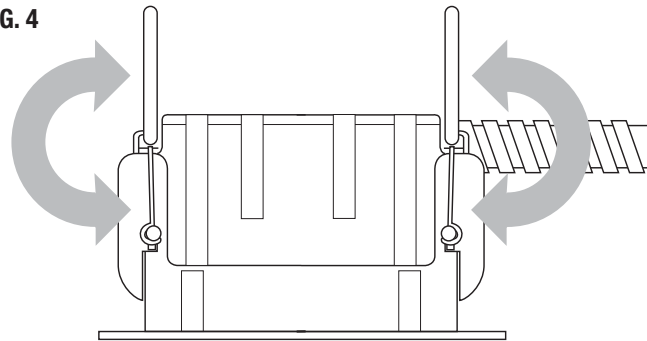


FIG. 3

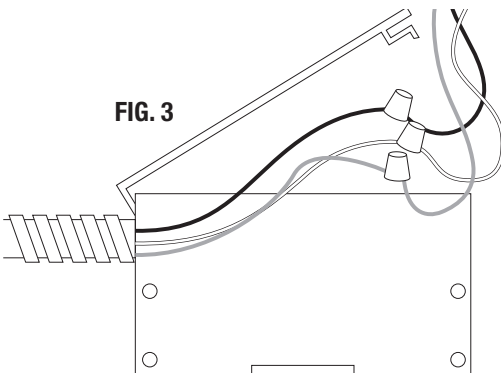


FIG. 5

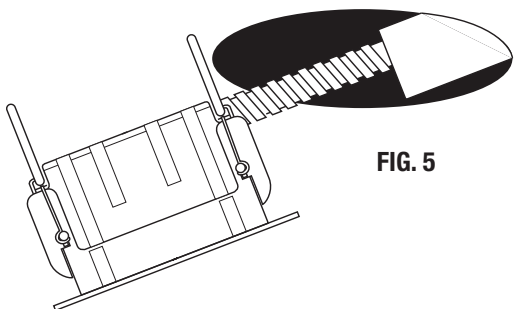
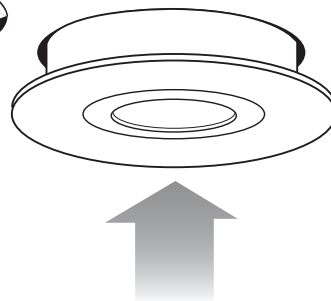


FIG. 6



25° Adjustable

360° Rotation

