



PRODUCT DESCRIPTION

A 9-1/2" diameter circular surface mount downlight. Constructed of a high quality die-cast aluminum body with translucent white polycarbonate difuser lens for low glare. This Title 24 approved, wet location fixture maintains uniform intensity at up to 1900 lumens. Mounts to standard fixture box.

PROJECT	TYPE
CATALOG NUMBER (FOR CUSTOM LENGTHS, PLEASE SEE ORDERING EXAMPLE BELOW)	

FEATURES

- 120V operation
- 22W
- 2700K / 3000K / 4000K
- 90+ CRI
- Die-cast aluminum body with translucent white polycarbonate difuser
- Up to 1900 lumens
- Dimmable
- Surface mounts to standard fixture box.

ELECTRICAL

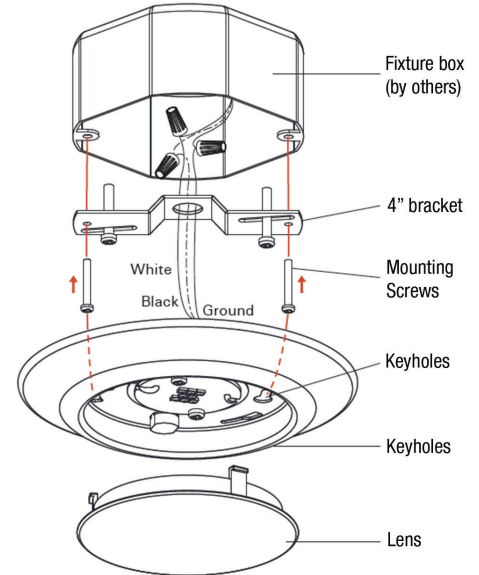
- Remote power supply not required

LABEL

- Title 24
- ETL
- IP67 for wet location
- Energy Star

WARRANTY

- 5 year warranty



PRODUCT ORDERING INFORMATION

Catalog No.	Dimensions	Wattage	Lumens	Color Temp.*	CRI	Finish
S9-2790-WH	9-1/2" dia. x 1-3/8" depth	22W	1800	2700K	90+	White
S9-3090-WH	9-1/2" dia. x 1-3/8" depth	22W	1850	3000K	90+	White
S9-4090-WH	9-1/2" dia. x 1-3/8" depth	22W	1900	4000K	90+	White

* Kelvin temperature (color) ± 200K

