

**24VDC LED ELECTRONIC
DIMMABLE 96W CLASS 2 POWER
SUPPLY**

by

GM Lighting

Project: _____

Type: _____

Location: _____

Contact Phone: _____

PRODUCT DESCRIPTION

Hardwire 24VDC LED dimming power supply that works with conventional low voltage electronic wall mount dimmer with on/off switch. (can be fully loaded). Auto reset.

PRODUCT SPECIFICATIONS

Construction: Transformer is encapsulated in all aluminum construction NEMA 3R enclosure. Enclosure temperature should not exceed 70°C (158°F) @ 40°C (104°F) ambient. Wiring compartment has 2 knockouts sized for 1/2" screw cable connectors. Removable cover for wiring compartment is secured in place by screw. Black powder coated.

Electrical: Thermal class B-130C. Input leads are 14 AWG. Output leads are 18 AWG. Lead insulation rated to 105°C (221°F). Transformer utilizes a class B 130°C (266°F) insulation system. Maximum load is 96W at 90% efficiency. Input voltage is 120V @ 60 Hz. Auto reset. Recommended minimum load 8 watts

Leads: Primary: PVC 600 V #14

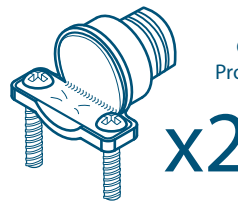
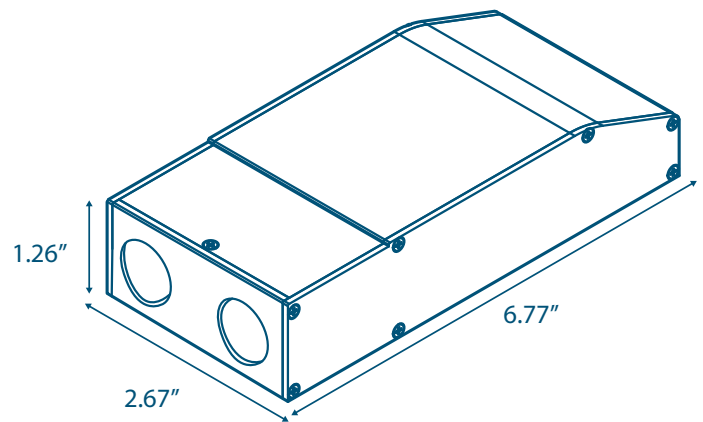
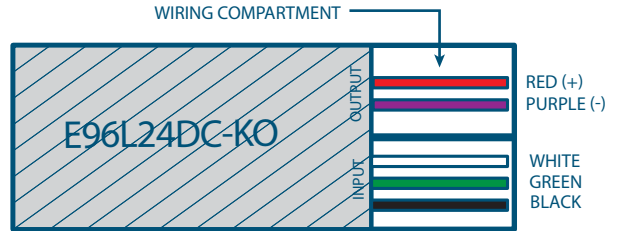
Secondary: PVC 300 V #18

Dimming: Works with low-voltage ELECTRONIC wall dimmer with on/off switch.

Mounting: Surface mount with front mounting tab.

Label: cULus

Warranty: 5 years.



Two Clamp Connectors Provided with each unit

NOTE: Not for use with GMR4, GMR6 or SDP pucks

Catalog Number	Max. Wattage	Input Voltage	Output Voltage	Input current	output current	Weight	Dimensions		
							L	W	H
LTHE-96-DIM-24	96W	120V/60Hz	24 VDC	1A	4.2A MAX	1.2 lbs.	6.77"	2.67"	1.26 "

GM Lighting

GM Lighting, LLC • 9830 W. 190th St. • Unit F • Mokena, IL 60448
Toll-Free: (866) 671-0811 FAX: (708) 478-2640 • www.gmlighting.net

e-mail: sales@gmlighting.net • Specifications subject to change without notice.
LTHE-96-DIM-24_080917



E465183