

BEFORE YOU START:

- Please check local electrical codes before beginning
- Turn power off before installing
- Make sure to use properly rated wire

TOOLS NEEDED:

- Screwdriver to mount tape and/or channel if used.

1. DETERMINE YOUR LAYOUT AND PLACEMENT OF REMOTE POWER SUPPLY AND CONTROLLER. MOUNT POWER SUPPLY AND CONTROLLER CONCEALING IT FROM EXPOSURE TO INCLEMENT WEATHER AND MOISTURE.

2. CONNECTING TAPE TO POWER (DRY AND WET LOCATION):

Locate input slots at end of power supply and insert ends of each wire into appropriate slot. Use a screwdriver to tighten down connection. Refer to illustration on instruction sheet or placement diagram on power supply for proper order. (Fig. 1). **Consult wiring diagram on back of sheet for connecting multiple lengths of tape.**

3. MOUNTING DRY LOCATION TAPE (Fig. 2):

Tape can be mounted several ways:

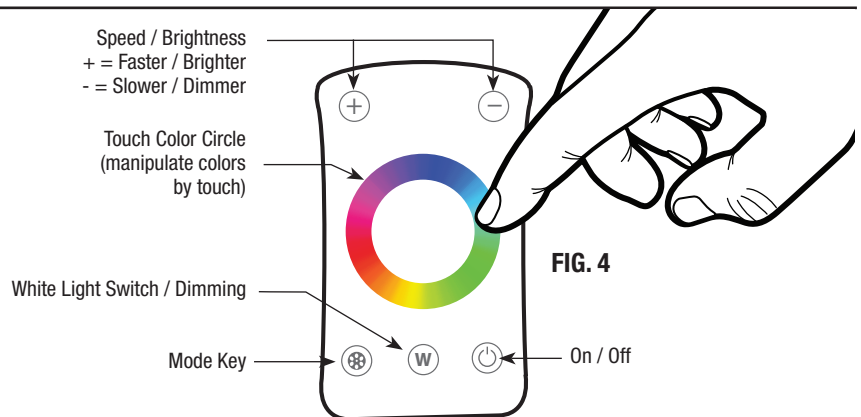
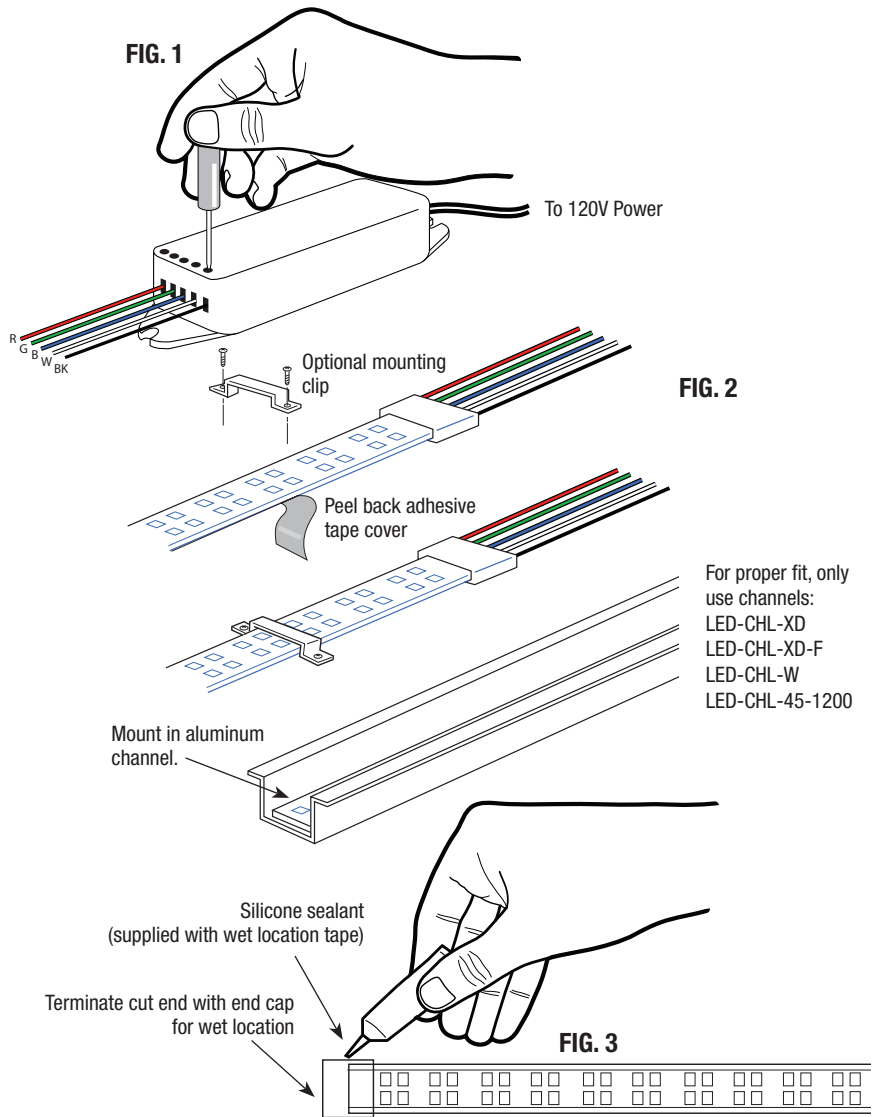
1. Adhesive: Pull back adhesive tape cover on back of tape and simply press into position.
2. Optional mounting clips: Position optional mounting clip over tape and secure using screws (provided with clips).
3. Mounting channel: To utilize optional GM Lighting aluminum mounting channel, simply peel back adhesive tape cover on back of tape and press into channel. NOTE: Channel ordered separately.

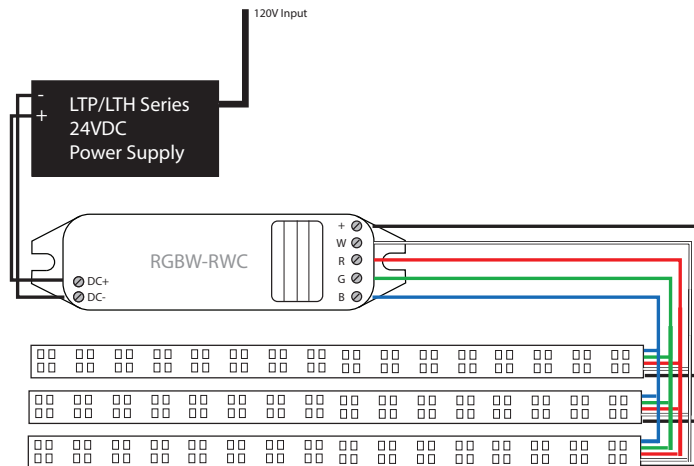
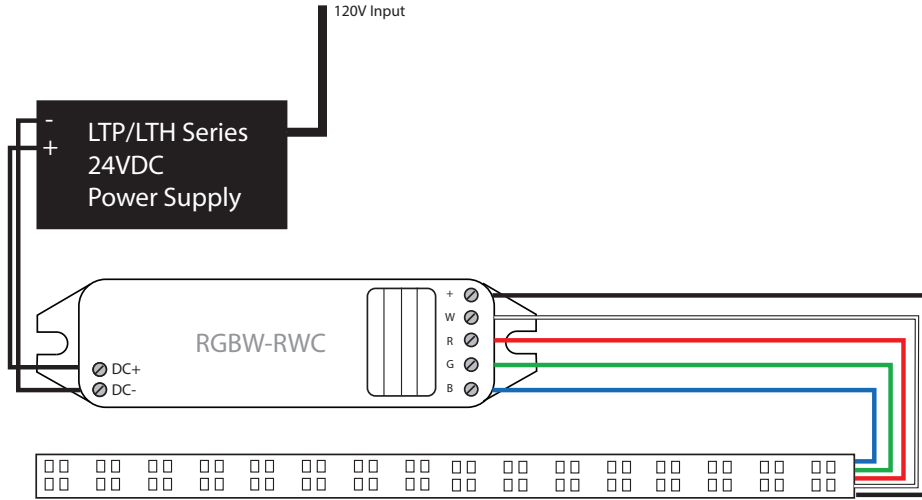
4. MOUNTING WET LOCATION (Fig. 3):

Position wet location tape in place and secure with included mounting clips. NOTE: Mounting clips are only provided with wet location tape. Terminate end of cut ribbon with provided end cap, using provided silicone sealant.

5. USING HAND HELD REMOTE CONTROLLER (Fig. 4):

Controller enables a wide variety of color effects with the addition of 3000K white. When combined with RGB sequencing, the white source brightens, enhances and enables even more stunning effects.





You only need one handheld controller to control maximum runs.

