

BEFORE YOU START:

- Please check local electrical codes before beginning
- Turn power off before installing
- Make sure to use proper rated wire

TOOLS NEEDED:

- Phillips Screwdriver

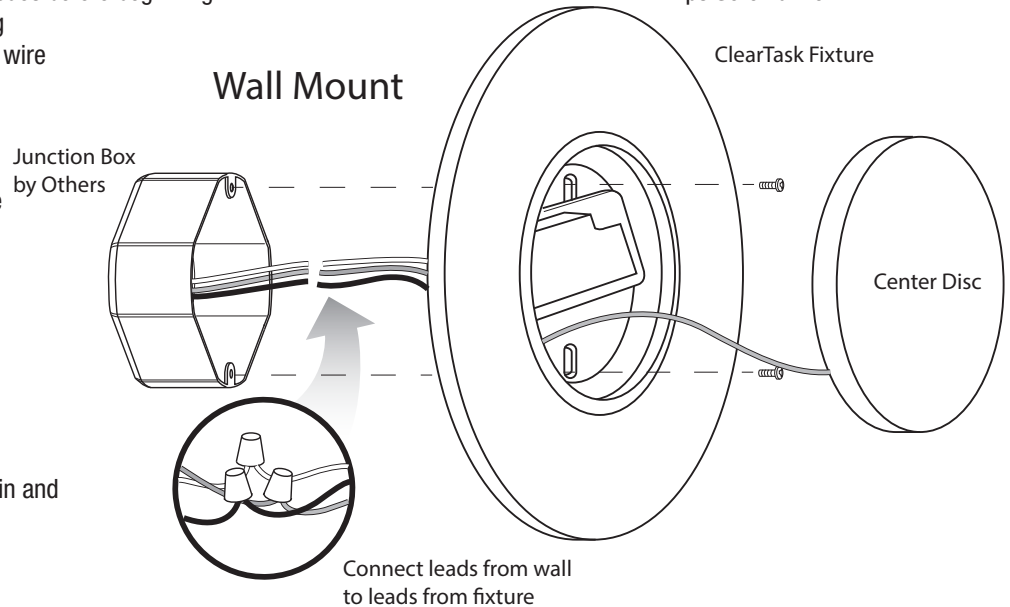
WALL/SURFACE INSTALLATION:

1. Connect supply wires to wires in fixture wiring box using wire nuts (by others).

Connect white to white, black to black, and green to ground wire.

2. Install two screws (furnished) into junction box.

3. Center disc attaches by firmly pushing in and rotating until a snug connection is made.



PENDANT INSTALLATION:

1. Unscrew Mounting Bracket from Canopy and attach to Junction Box by others.

2. Feed Wire Cable from Fixture up into Pendant Stem, and connect wire leads to leads coming from Junction Box using Canopy as a wiring compartment. Attach Canopy to Mounting Bracket.

3. Remove Center Disc in order to screw Fixture onto Mounting Plate. Replace Center Disc onto Fixture.

