

12VDC MINI LED ADJUSTABLE SHALLOW RECESSED DOWNLIGHT FEATURING 30° ADJUSTABILITY

PROJECT	TYPE
CATALOG NUMBER	

PRODUCT DESCRIPTION

A mini-recessed, extremely shallow mount (3") downlight in a compact, 12VDC luminaire. This tiny fixture works well in bookshelves, entertainment centers, personal water and aircraft, elevators or any-where that discreet, shallow mount lighting is required. 30° adjustability.

PRODUCT SPECIFICATIONS

Construction: All metal construction with glass lens. Improved heat sink.

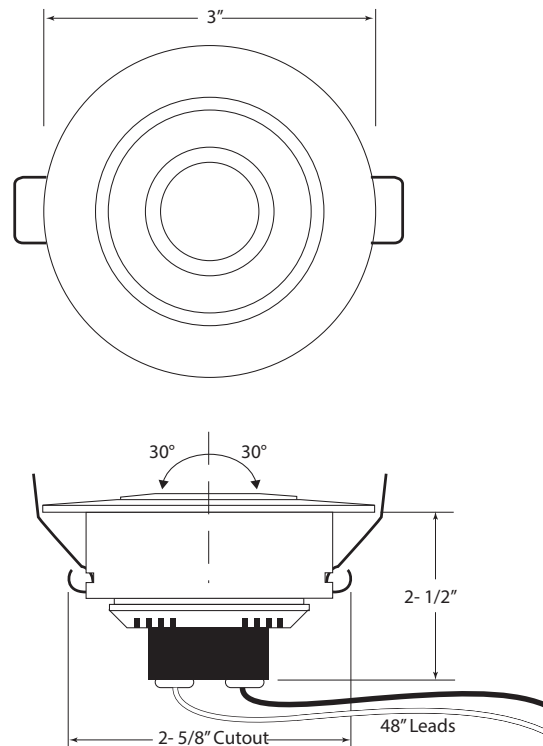
Electrical: LED is 6W. 50,000 hour LED life. Requires external power supply. 48" leads.

LED Specs: 30 deg spread 375 lumens. 3000K (WW). CRI 80+

Dimming: Product can be dimmed utilizing GM Lighting 12VDC Dimmable Power Supplies.

Mounting: Recess mount in 2-5/8" drilled hole. Spring clips capture fixture securely.

Rating: ETL listed. Damp Location



Catalog No.	Description	Wattage	Lumens	Dimensions	Finish	LED Life
GMR6-WW-W	12VDC Mini Recessed Downlight	6W	375L CRI 80+	3" Dia x 2-1/2" D	White	50,000 hrs.
GMR6-WW-B	12VDC Mini Recessed Downlight	6W	375L CRI 80+	3" Dia x 2-1/2" D	Black	50,000 hrs.
GMR6-WW-BA	12VDC Mini Recessed Downlight	6W	375L CRI 80+	3" Dia x 2-1/2" D	Brushed Aluminum	50,000 hrs.

For a full line of spec sheets and mounting instructions, please see our website at www.gmlighting.net