

**12/24VDC LED ELECTRONIC 0-10V  
DIMMABLE CLASS 2 POWER  
SUPPLY**

by

**GM Lighting**

Project: \_\_\_\_\_

Type: \_\_\_\_\_

Location: \_\_\_\_\_

Contact Phone: \_\_\_\_\_

**PRODUCT DESCRIPTION**

Hardwire 12VDC or 24VDC LED dimming power supply that works with 0-10v control wall mount dimmer with on/off switch.

**PRODUCT SPECIFICATIONS**

**Construction:** Transformer is encapsulated in all aluminum construction NEMA 3 enclosure. Wiring compartment has 6 knockouts. Removable cover for wiring compartment is secured in place by screws. Black powder coated.

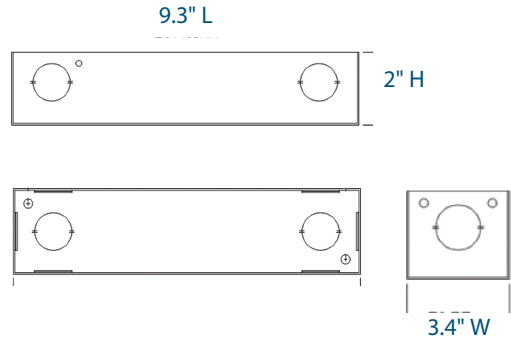
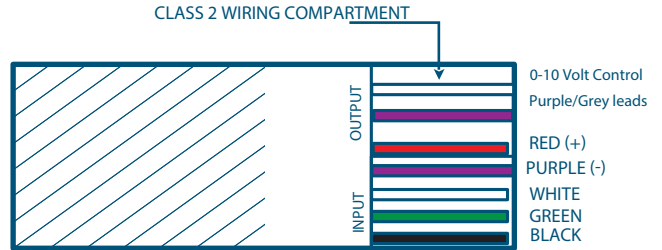
**Electrical:** Thermal class B-130C. Input leads are 18 AWG. Output leads are 14 AWG. Lead insulation rated to 105°C (221°F). Maximum load is 60W or 96W at 95% efficiency. Input voltage is 120V @ 60 Hz. Auto reset. Recommended minimum load 8 watts

**Dimming:** 0-10v dimming with 0-10 control switch, by others.

**Mounting:** Surface mount.

**Label:** ETL Listed (indoor/outdoor) Class 2

**Warranty:** 5 years.



| Catalog Number | Max. Wattage | Input Voltage | Output Voltage | Input current | output current | Weight   | Dimensions |        |     |
|----------------|--------------|---------------|----------------|---------------|----------------|----------|------------|--------|-----|
|                |              |               |                |               |                |          | L          | W      | H   |
| LTF60-12-010   | 60W          | 120/277VAC    | 12VDC          | .75A          | 5A MAX         | 1.2 lbs. | 9.3"L      | 3.4"W  | 2"H |
| LTF96-24-010   | 96W          | 120/277VAC    | 24 VDC         | 1A            | 4.2A MAX       | 1.2 lbs. | 9.3"L      | 3.4" W | 2"H |

For voltage drop - see [www.gmlighting.net/voltagedrop.html](http://www.gmlighting.net/voltagedrop.html) or consult GM Lighting 2011 New Product Product Brochure, page .

**GM Lighting**

GM Lighting, LLC • 9830 W. 190th St. • Unit F • Mokena, IL 60448  
Toll-Free: (866) 671-0811 FAX: (708) 478-2640 • [www.gmlighting.net](http://www.gmlighting.net)

e-mail: [sales@gmlighting.net](mailto:sales@gmlighting.net) • Specifications subject to change without notice.  
LTF-010\_12102015