

**12/24VDC LED ELECTRONIC 0-10v
DIMMABLE POWER SUPPLY**
by



Project: _____
 Type: _____
 Location: _____
 Contact Phone: _____

PRODUCT DESCRIPTION

Hardwire 12 or 24VDC LED dimming power supply that works with 0-10v control wall mount dimmer with on/off switch.

PRODUCT SPECIFICATIONS

Construction: Transformer is encapsulated in all aluminum construction NEMA 3 enclosure. Enclosure temperature should not exceed 70°C (158°F) @ 40°C (104°F) ambient. Wiring compartment has 6 knockouts. Removable cover for wiring compartment is secured in place by screws. Black powder coated.

Electrical: Thermal class B-130C. Input leads are 14 AWG. Output leads are 18 AWG. Lead insulation rated to 105°C (221°F). Transformer utilizes a class B 130°C (266°F) insulation system. Maximum load is 96W at 90% efficiency. Input voltage is 120V @ 60 Hz. Auto reset. Recommended minimum load 8 watts

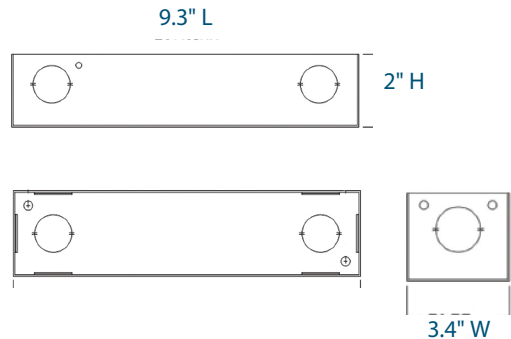
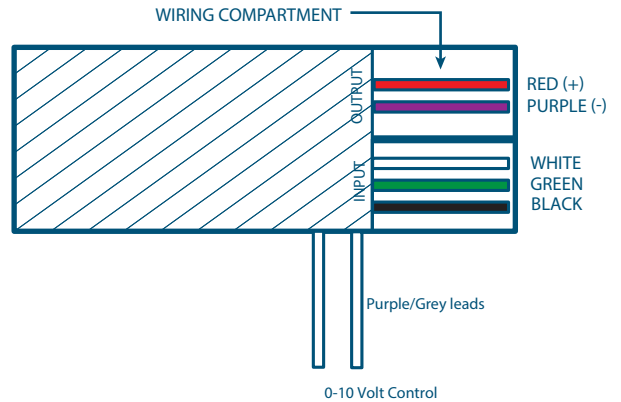
Dimming: 0-10 dimming with control switch,

by others.

Mounting: Surface mount.

Label: ETL Listed (indoor)

Warranty: 5 years.



Catalog Number	Max. Wattage	Input Voltage	Output Voltage	Input current	output current	Weight	Dimensions		
							L	W	H
LTF60-12-010	60W	120/277VAC	12VDC	.75A	5A MAX	1.2 lbs.	9.3"L	3.4"W	2"H
LTF96-12-010	96W	120/277VAC	12VDC	1A	8A MAX	1.2 lbs.	9.3"L	3.4"W	2"H
LTF96-24-010	96W	120/277VAC	24 VDC	1A	4.2A MAX	1.2 lbs.	9.3"L	3.4" W	2"H

For voltage drop - see www.gmlighting.net/voltagedrop.html or consult GM Lighting 2011 New Product Product Brochure, page .



GM Lighting, LLC • 9830 W. 190th St. • Unit F • Mokena, IL 60448
 Toll-Free: (866) 671-0811 FAX: (708) 478-2640 • www.gmlighting.net
 e-mail: sales@gmlighting.net • Specifications subject to change without notice.
 LTF-010_12102015