

**LED 24VDC MAGNETIC DIMMABLE  
200W POWER SUPPLY**  
by  
**GM Lighting**

Project: \_\_\_\_\_  
Type: \_\_\_\_\_  
Location: \_\_\_\_\_  
Contact Phone: \_\_\_\_\_

**PRODUCT DESCRIPTION**

A hardwire 200VA LED dimming magnetic power supply that works with conventional low voltage magnetic wall mount dimmer with on/off switch. No minimum load (can be fully loaded). Manual reset thermal 14A circuit breaker on the secondary side.

**PRODUCT SPECIFICATIONS**

**Construction:** Transformer is encapsulated in all metal NEMA 3R rated enclosure. Enclosure temperature should not exceed 70°C (158°F) @ 40°C (104°F) ambient. Wiring compartment has 3 knockouts sized for 3/4 inch screw cable connectors. Wiring compartment cover is hinged with rivets and opens vertically from bottom to top. Black powder coated.

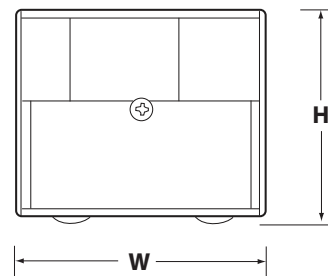
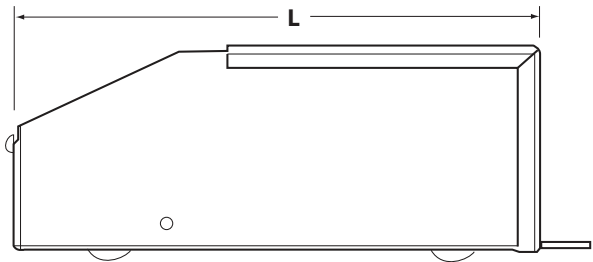
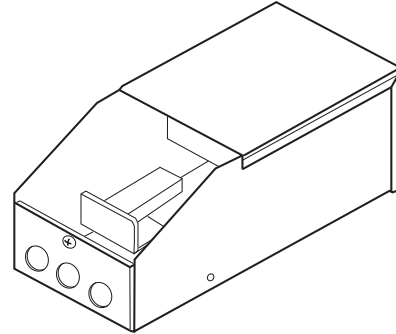
**Electrical:** Thermal class B-130°C. Input leads are 18 AWG. Output leads are 12 AWG. Lead insulation rated to 105°C (221°F). Transformer utilizes a class B 130°C (266°F) insulation system. Maximum load is 200W.

**Dimming:** Works with all dimmers that provide symmetrical form of the current under any conditions.

**Mounting:** Surface mount with back mounting tab.

**Warranty:** 5 years.

**Label:** UL listed. UL file number: E194005.



Catalog Number	Max. Wattage	Input Voltage	Output Voltage	Input Current	Open Circuit	Output Current	Weight	Dimensions		
								L	W	H
LTHM200-DIM-24	200W	120V/60Hz	24VDC	0.6A	24VDC	8.05A	9 lbs.	8"	4.1"	3.1"

For voltage drop - see [www.gmlighting.net/voltagedrop.html](http://www.gmlighting.net/voltagedrop.html)



GM Lighting, LLC • 9830 W. 190th St. • Unit F • Mokena, IL 60448  
Toll-Free: (866) 671-0811 FAX: (708) 478-2640 • [www.gmlighting.net](http://www.gmlighting.net)  
e-mail: [sales@gmlighting.net](mailto:sales@gmlighting.net) • Specifications subject to change without notice.  
LTHM200-DIM-24\_121012