

**LED 12VDC MAGNETIC DIMMABLE
200W POWER SUPPLY**

by

GM Lighting

Project: _____

Type: _____

Location: _____

Contact Phone: _____

PRODUCT DESCRIPTION

A hardwire 200VA LED dimming magnetic power supply that works with conventional low voltage magnetic wall mount dimmer with on/off switch. No minimum load (can be fully loaded). Auto reset thermal circuit breaker on the secondary side.

PRODUCT SPECIFICATIONS

Construction: Transformer is encapsulated in all metal NEMA 3R rated enclosure. Enclosure temperature should not exceed 70°C (158°F) @ 40°C (104°F) ambient. Wiring compartment has 3 knockouts sized for 3/4 inch screw cable connectors. Wiring compartment cover is hinged with rivets and opens vertically from bottom to top. Black powder coated.

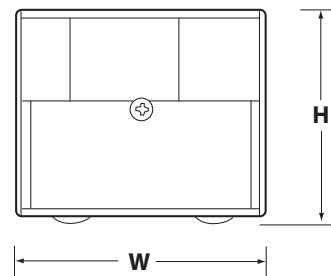
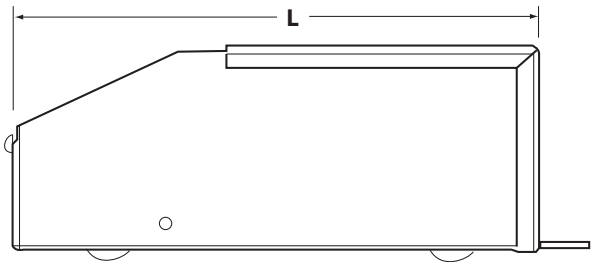
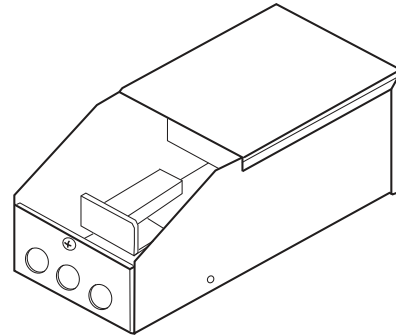
Electrical: Thermal class B-130C. Input leads are 18 AWG. Output leads are 12 AWG. Lead insulation rated to 105°C (221°F). Transformer utilizes a class B 130°C (266°F) insulation system. Maximum load is 200W. Coil former is double section bobbin. Auto reset. Boost tap option.

Dimming: Works with low-voltage magnetic wall dimmer with on/off switch.

Mounting: Surface mount with back mounting tab.

Warranty: 4 years.

Label: UL listed. UL file number: E194005.



Catalog Number	Max. Wattage	Input Voltage	Output Voltage	Input Current	Open Circuit	Output Current	Weight	Dimensions		
								L	W	H
LTHM200-DIM	200W	120V/60Hz	12VDC	0.6A	12.5VDC	8.05A	9 lbs.	10"	4"	3"

For voltage drop - see www.gmlighting.net/voltagedrop.html or consult GM Lighting Product catalog, page 19.

GM Lighting

GM Lighting, LLC • 9830 W. 190th St. • Unit F • Mokena, IL 60448
Toll-Free: (866) 671-0811 FAX: (708) 478-2640 • www.gmlighting.net
e-mail: gmlightingllc@sbcglobal.net • Specifications subject to change without notice.
LTHM200-DIM_101712