

**LED 24VDC MAGNETIC DIMMABLE  
300W POWER SUPPLY**  
by  
**GM Lighting**

Project: \_\_\_\_\_  
Type: \_\_\_\_\_  
Location: \_\_\_\_\_  
Contact Phone: \_\_\_\_\_

**PRODUCT DESCRIPTION**

A hardwire LED dimming magnetic power supply that works with conventional 24V magnetic wall mount dimmer with on/off switch. No minimum load (can be fully loaded). Manual reset thermal 4A circuit breaker on the primary side.

**PRODUCT SPECIFICATIONS**

**Construction:** Transformer is encapsulated in all metal construction enclosure. Enclosure temperature should not exceed 65°C (149°F) @ 40°C (104°F) ambient. Wiring compartment has 3 knockouts, sized for 3/4" screw cable connectors. Wiring compartment cover hinged with rivets and opens vertically from bottom to top. Black powder coated. Enclosure type: NEMA 3R Outdoor.

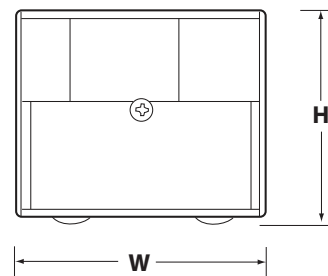
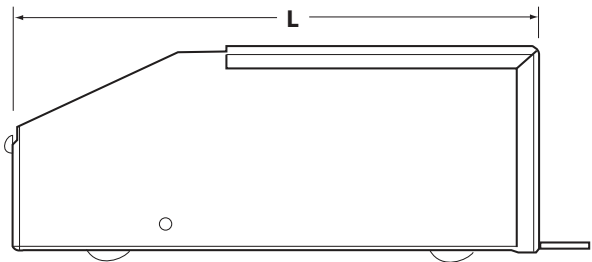
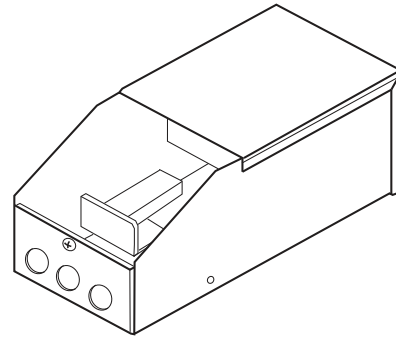
**Electrical:** Thermal class B-130C. Input leads are 18 AWG. Output leads are 16 AWG. Lead insulation rated to 105°C (221°F). Transformer utilizes a class B 130°C (266°F) insulation system. Maximum load is 300W. Coil former is double section bobbin.

**Dimming:** Works with low-voltage magnetic wall dimmer with on/off switch.

**Mounting:** Surface mount with front mounting tab.

**Warranty:** 4 years.

**Label:** UL listed for indoor and outdoor use.



Catalog Number	Max. Wattage	Input Voltage	Output Voltage	Input Current	Open Circuit	Output Current	Weight	Dimensions		
								L	W	H
LTHM300-DIM-24	300W	120V/60Hz	24 VDC	0.6A	24VDC	12A	9 lbs.	9.0"	4.1"	3.1"



GM Lighting, LLC • 9830 W. 190th St. • Unit F • Mokena, IL 60448  
Toll-Free: (866) 671-0811 FAX: (708) 478-2640 • www.gmlighting.net  
e-mail: gmlightingllc@sbcglobal.net • Specifications subject to change without notice.  
LTHM300-DIM-24\_052013