

**24VDC LED MAGNETIC DIMMABLE
100W POWER SUPPLY**
by
GM Lighting

Project: _____

Type: _____

Location: _____

Contact Phone: _____

PRODUCT DESCRIPTION

Hardwire 24VDC LED dimming magnetic power supply that works with conventional low voltage magnetic wall mount dimmer with on/off switch. No minimum load (can be fully loaded). Auto reset.

PRODUCT SPECIFICATIONS

Construction: Transformer is encapsulated in all metal construction NEMA 3R enclosure. Enclosure temperature should not exceed 70°C (158°F) @ 40°C (104°F) ambient. Wiring compartment has 2 knockouts sized for 3/4" screw cable connectors. Removable cover for wiring compartment is secured in place by screw. Black powder coated.

Electrical: Thermal class B-130C. Input leads are 20 AWG. Output leads are 14 AWG. Lead insulation rated to 105°C (221°F). Transformer utilizes a class B 130°C (266°F) insulation system. Maximum load is 100W at 89.60% efficiency. Input voltage is 120V @ 60 Hz. Coil former is double section bobbin. Auto reset.

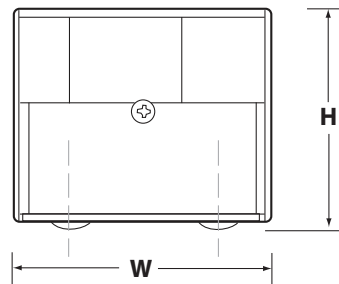
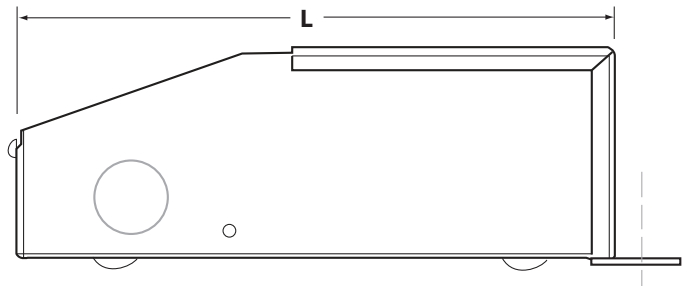
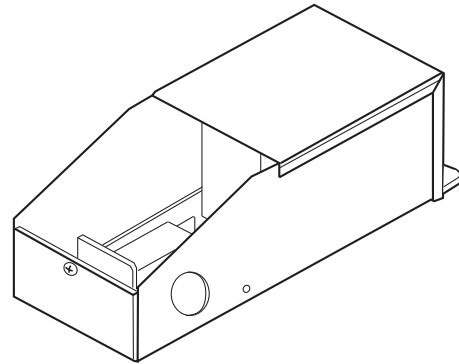
Leads: Primary: PVC 600 V #20
Secondary: PVC 300 V #14

Dimming: Works with low-voltage magnetic wall dimmer with on/off switch.

Mounting: Surface mount with front mounting tab.

Label: cETL

Warranty: 5 year Warranty .



Catalog Number	Max. Wattage	Input Voltage	Output Voltage	Input Current	Open Circuit	Output Current	Weight	Dimensions		
								L	W	H
LTHM100-DIM-24	100W	120V/60Hz	24 VDC	898mA	24VDC	4A	6 lbs.	6.06"	2.59"	2.20"

For voltage drop - see www.gmlighting.net/voltagedrop.html or consult GM Lighting 2015 New Product Product Brochure, page 10.



GM Lighting, LLC • 9830 W. 190th St. • Unit F • Mokena, IL 60448
Toll-Free: (866) 671-0811 FAX: (708) 478-2640 • www.gmlighting.net
e-mail: sales@gmlighting.net • Specifications subject to change without notice.
LTHM100-DIM-24_070511