

**24VDC LED ELECTRONIC
48W PLUG-IN POWER SUPPLY**
by
GMLighting

Project: _____

Type: _____

Location: _____

Contact Phone: _____

PRODUCT DESCRIPTION

LED electronic power supply with 3 prong cord and plug.
24 VDC output. 120 AC input.

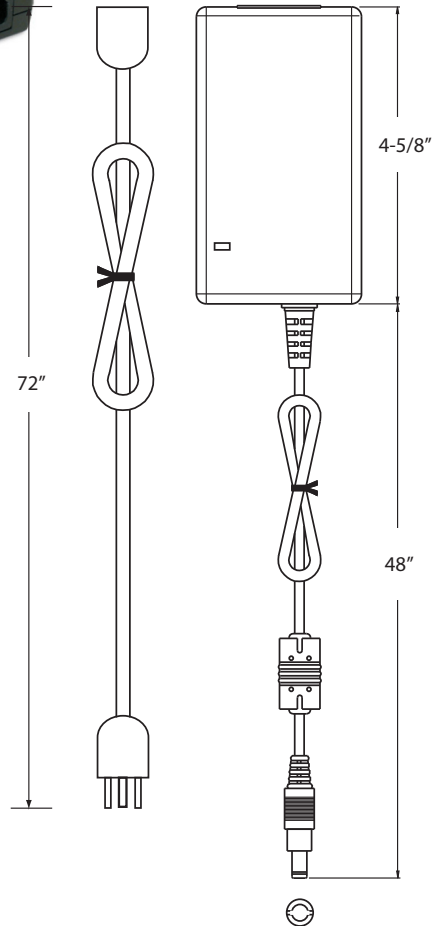
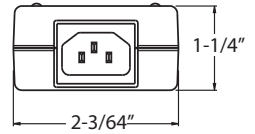
PRODUCT SPECIFICATIONS

Construction: Power supply is in a fully enclosed plastic case. Standard type P1M plug. LED indicator for power on.

Electrical: Output voltage 24 VDC. Short circuit, overload, over voltage and over temperature protections. 72" 3 prong cord and plug. 2.0 amps

Label: UL listed.

Not rated for outdoor use.



Catalog Number	Max. Wattage	Input Voltage	Amps	Output Voltage	Weight	Dimensions		
						L	W	H
LTP24-48	48W	120V	2.0	24 VDC	1.8 lbs.	4-5/8"	2-1/5"	1-1/4"

For voltage drop - see www.gmlighting.net/voltagedrop.html or consult GM Lighting 2013 New Product Product Catalog, Page 68.



GM Lighting, LLC • 9830 W. 190th St. • Unit F • Mokena, IL 60448
Toll-Free: (866) 671-0811 FAX: (708) 478-2640 • www.gmlighting.net
Specifications subject to change without notice. LTP24-48_010613

