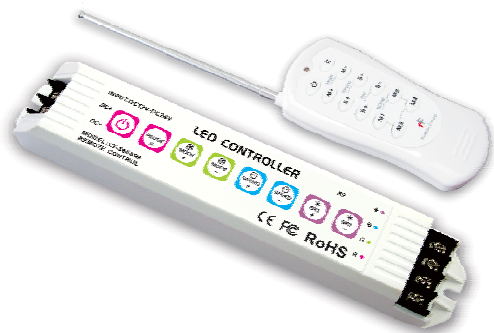


**GMLighting**

## RGB-12-CONTROLLER

### Model LT-3600RF

## LED RGB Controller

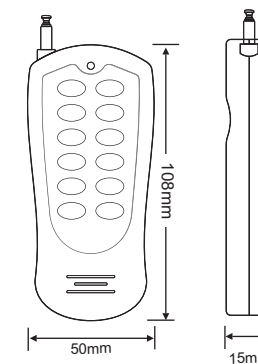
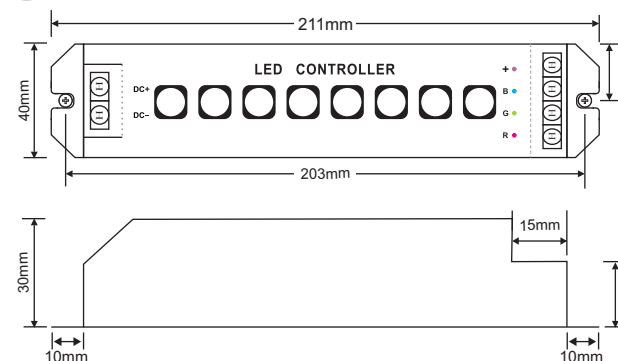


RGB-12-CONTROLLER is a multi-functional RGB LED controller, use the advanced PWM (Pulse-Width Modulation) control technology, built-in 16 kinds of change mode. Smooth changing effect, without flicker; PC engineering plastic shell, light volume, exquisite appearance; The receiver has 8 buttons, which are used for namely on/off, PAUSE, MODE+/-, SPEED+/-, BRT+/-, compatible with RF remote (100m control distance). DC12V-24V wide voltage input, 3CHs output (common anode), widely used for all kinds LEDs with current-limiting resistor, like RGB LED modules, LED strips, SMD and so on.

### 1. Technical Specs:

LT-3600RF (Common Anode)	
Power Supply Chosen	DC CV SMPS
Input Voltage	DC12V ~ DC24V
Max Current Load	6A × 3CH
Max Output Power	216W/432W(12V/24V)
Grey Scale	1024×1024×1024
Remote Controlling Distance	100m
Radio Frequency Range	433.92MHz
RF Remote Output Power	8mW
Working Temperature	-30°C -55 °C
Dimension	L211×W40×H30(mm)
Package Size	L313×W50×H32(mm)
Weight (G.W.)	230g

### 2. Product Dimension:



battery, A23-BP2

### 3. Operation Instructions:

8 function buttons on the receiver, which is corresponding to the first 8 button on the remote: namely **ON/OFF, PAUSE, MODE+,MODE-, SPEED+,SPEED-, BRT+,BRT-**.

#### ID learning Method:

**Learning ID:** Press on/off on the receiver for 3s, the RF LED green indicator will be on, then press any key on the remote, when indicator becomes off means activated.

**Cancelling ID:** Press "on/off" on the receiver for 5s, the RF green indicator flashes once, then press any key on the remote, when the indicator flashes several times means deactivated..

Receiver Sign	RF remote Control Sign	Button	Description
		<b>ON/OFF</b>	• Turn on/off the receiving controller.
		<b>PAUSE</b>	• Press to stop changing. • Press again to continue. • Attn: press for 3s to turn on/off the buzzer.
		<b>MODE+ MODE-</b>	• Press <b>MODE+/-</b> to change modes • Press <b>MODE+</b> for 3s to auto cycle loop all the modes • Press <b>MODE-</b> for 3s to 4 DIY modes
		<b>SPEED+ SPEED-</b>	• Press to speed up or slow down. • Press <b>SPEED+</b> for 3s, the changing speed of all modes will revert to factory defaults. • Press <b>SPEED-</b> for 3s, the changing speed of current mode will revert to factory defaults.
		<b>BRT+ BRT-</b>	• Press to increase/decrease the brightness. • Keep pressing to change the brightness Continuously
		<b>4 DIY Keys</b>	• Press for 3s to save your desired lighting effect. Max 4 modes, could save repeatedly. • Press "Mode-" in 3 seconds, the receiver will auto play these 4 DIY modes.

**Attn:** Press Mode- for 3s, merely play the changing DIY modes, the static color will be skipped.

