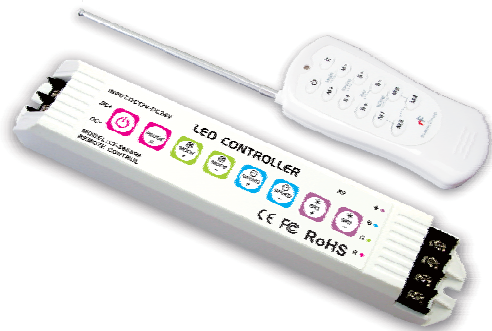


GMLighting

RGB-12-CONTROLLER

Model LT-3600RF

LED RGB Controller

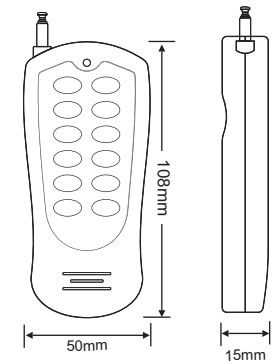
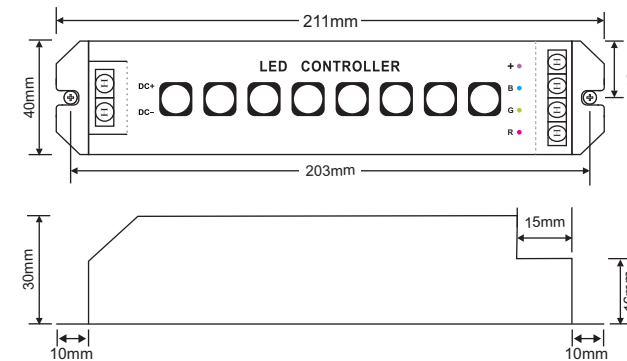


RGB-12-CONTROLLER is a multi-functional RGB LED controller, use the advanced PWM (Pluse-Width Modulation) control technology, built-in 16 kinds of change mode. Smooth changing effect, without flicker; PC engineering plastic shell, light volume, exquisite appearance; The receiver has 8 buttons, which are used for namely on/off, PAUSE, MODE+/-, SPEED+/-, BRT+/-, compatible with RF remote (100m control distance). DC12V-24V wide voltage input, 3CHs output (common anode), wildly used for all kinds LEDs with current-limiting resistor, like RGB LED modules, LED strips, SMD and so on.

1. Technical Specs:

LT-3600RF (Common Anode)	
Power Supply Chosen	DC CV SMPS
Input Voltage	DC12V ~ DC24V
Max Current Load	6A × 3CH
Max Output Power	216W/432W(12V/24V)
Grey Scale	1024×1024×1024
Remote Controlling Distance	100m
Radio Frequency Range	433.92MHz
RF Remote Output Power	8mW
Working Temperature	-30 °C -55 °C
Dimension	L211×W40×H30(mm)
Package Size	L313×W50×H32(mm)
Weight (G.W.)	230g

2. Product Dimension:



battery, A23-BP2

3. Operation Instructions:

8 function buttons on the receiver, which is corresponding to the first 8 button on the remote: namely **ON/OFF, PAUSE, MODE+,MODE-, SPEED+,SPEED-, BRT+,BRT-**.

ID learning Method:

Learning ID: Press on/off on the receiver for 3s, the RF LED green indicator will be on, then press any key on the remote, when indicator becomes off means activated.

Cancelling ID: Press "on/off" on the receiver for 5s, the RF green indicator flashes once, then press any key on the remote, when the indicator flashes several times means deactivated..

Receiver Sign	RF remote Control Sign	Button	Description
		ON/OFF	• Turn on/off the receiving controller.
		PAUSE	• Press to stop changing. • Press again to continue. • Attn: press for 3s to turn on/off the buzzer.
		MODE+ MODE-	• Press MODE+/- to change modes • Press MODE+ for 3s to auto cycle loop all the modes • Press MODE- for 3s to 4 DIY modes
		SPEED+ SPEED-	• Press to speed up or slow down. • Press SPEED+ for 3s, the changing speed of all modes will revert to factory defaults. • Press SPEED- for 3s, the changing speed of current mode will revert to factory defaults.
		BRT+ BRT-	• Press to increase/decrease the brightness. • Keep pressing to change the brightness Continuously
		4 DIY Keys	• Press for 3s to save your desired lighting effect. Max 4 modes, could save repeatedly. • Press "Mode-" in 3 seconds, the receiver will auto play these 4 DIY modes.

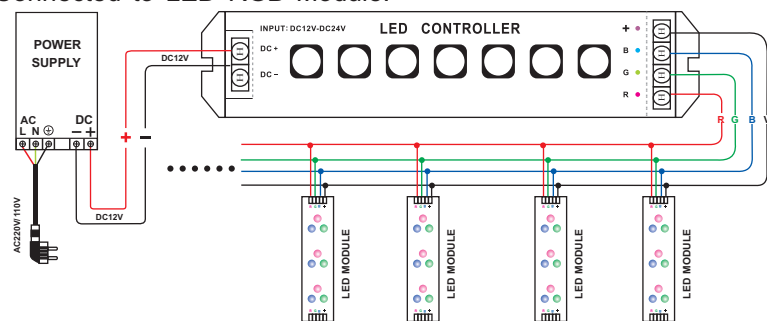
Attn: Press Mode- for 3s, merely play the changing DIY modes, the static color will be skipped.

4. Mode View Table:

Sequence	Modes	Description
1	Static Red	Brightness Adjustable
2	Static Green	Brightness Adjustable
3	Static Blue	Brightness Adjustable
4	Static Yellow	Brightness Adjustable
5	Static Purple	Brightness Adjustable
6	Static Cyan	Brightness Adjustable
7	Static White	Brightness Adjustable
8	3 color Skipping	Brightness and Speed Adjustable
9	7 color Skipping	Brightness and Speed Adjustable
10	White Color Strobe	Brightness and Speed Adjustable
11	3 Color Smooth	Brightness and Speed Adjustable
12	Full Color Smooth	Brightness and Speed Adjustable
13	RG Color Smooth	Brightness and Speed Adjustable
14	RB Color Smooth	Brightness and Speed Adjustable
15	GB Color Smooth	Brightness and Speed Adjustable
16	White Color Fade & Change	Brightness and Speed Adjustable

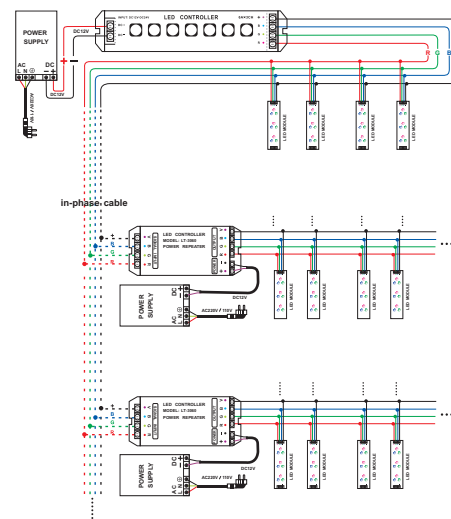
5. Wiring Diagram:

Connected to LED RGB Module:



6. Conjunction Diagram Working with Power Repeater:

(Wiring diagram with repeater)



7. Attention:

1. The product shall be installed and serviced by a qualified person.
2. This product is non-waterproof. Please avoid the sun and rain. When installed outdoors please ensure it is mounted in a water proof enclosure.
3. Good heat dissipation will prolong the working life of the controller. Please ensure good ventilation.
4. Please check if the output voltage of any LED power supplies used comply with the working voltage of the product.
5. Please ensure that adequate sized cable is used from the controller to the LED lights to carry the current. Please also ensure that the cable is secured tightly in the connector.
6. Ensure all wire connections and polarities are correct before applying power to avoid any damages to the LED lights.
7. If a fault occurs please return the product to your supplier. Do not attempt to fix this product by yourself.

8. Warranty Agreement:

1. We provide lifelong technical assistance with this product:
 - A 5-year warranty is given from the date of purchase. The warranty is for free repair or replacement and covers manufacturing faults only.
 - For faults beyond the 5-year warranty we reserve the right to charge for time and parts.
 2. Warranty exclusions below:
 - Any man-made damages caused from improper operation, or connecting to excess voltage and overloading.
 - The product appears to have excessive physical damage.
 - Damage due to natural disasters and force majeure.
 - Warranty label, fragile label and unique barcode label have been damaged.
 - The product has been replaced by a brand new product.
 3. Repair or replacement as provided under this warranty is the exclusive remedy to the customer. GM shall not be liable for any incidental or consequential damages for breach of any stipulation in this warranty.
 4. Any amendment or adjustment to this warranty must be approved in writing by GM Lighting only.
- ★ This manual only applies to this model. GM Lighting reserves the right to make changes without prior notice.



GM Lighting, LLC • 9830 W. 190th St. • Unit F • Mokena, IL
 60448 Toll-Free: (866) 671-0811 FAX: (708) 478-2640
 www.gmlighting.net e-mail: SALES@GMLIGHTING.NET
 Specifications subject to change without notice.