

SDPK-9 LED 3 Light Puck Kit Installation

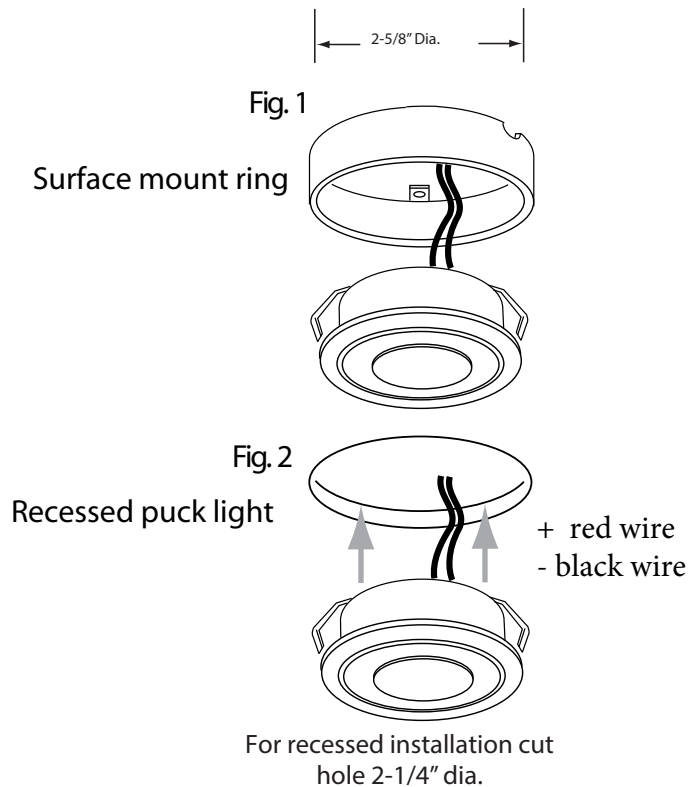
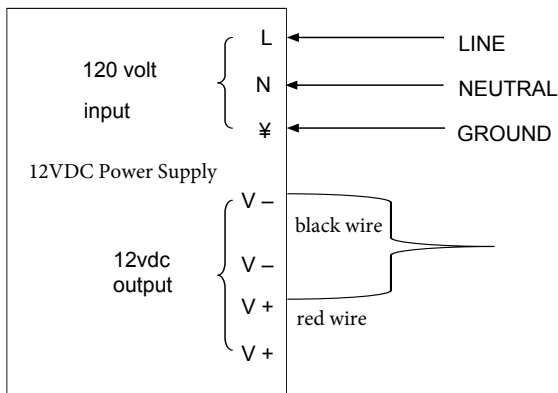
Instructions

NOTE: Turn power off before wiring.

Recessed - Cut a 2-1/4" hole in a desired location. Remove puck light from surface mounting ring (Fig. 1). Push Puck Light up into hole where springs enable a snug fit (Fig. 2).

Surface Mount - Install surface mounting ring with 2 screws (supplied) in the desired location making sure that wires are routed through notch cut in surface mounting ring. Push recessed puck light up into surface mounting ring, enabling springs to secure a snug fit (Fig. 2).

Consult wiring diagram below, use with 12VDC Plug in or dimmable power supplies.



Electrical Connection: 3 Puck Kit

1. Locate position of pucks and install either surface or recess mount.
2. Connect modular connectors to power supply and each puck.
3. Plug in power supply into nearby power outlet.

Three Puck Kit Schematic

