

100-240VAC 2W LED STEP AND PATHWAY LIGHTING

PROJECT	TYPE
CATALOG NUMBER	

PRODUCT DESCRIPTION

Step and pathway lighting has become a bit brighter with the introduction of GM Lighting's NEW 100-240VAC 2W LED Scoop Step and Pathway Light. The Scoop's warm white LED glow will punctuate the darkness and add a stylish focal point where pedestrian visibility is key.

PRODUCT SPECIFICATIONS

Construction: Solid die cast face plate.

Electrical: 100-240VAC 2W. 50,000 hour life.

Power Supply: Line voltage. No power supply needed.

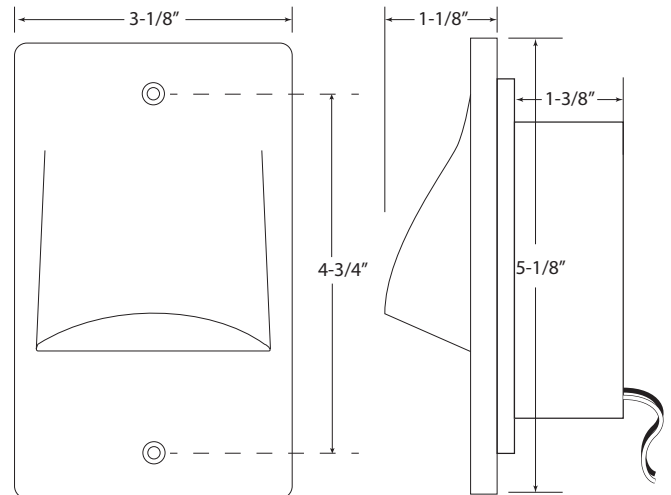
Dimming: Not dimmable.

Mounting: Easy to mount. Please check local construction codes.

Rating: Rated for indoor or outdoor applications. UL listed for through wiring with junction box.



STLS-ST-BNK



Catalog No.	Description	Total LED's	Wattage	Dimensions	Finish	LED Life
STLS-ST-W	Scoop Shield	1	2W	5-1/8"H x 3-1/8"W x 1-1/8"D	White	50,000 hrs.
STLS-ST-B	Scoop Shield	1	2W	5-1/8"H x 3-1/8"W x 1-1/8"D	Black	50,000 hrs.
STLS-ST-BNK	Scoop Shield	1	2W	5-1/8"H x 3-1/8"W x 1-1/8"D	Brushed Nickel	50,000 hrs.
STLS-ST-DBZ	Scoop Shield	1	2W	5-1/8"H x 3-1/8"W x 1-1/8"D	Dark Bronze	50,000 hrs.
STLS-ST-CP	Scoop Shield	1	2W	5-1/8"H x 3-1/8"W x 1-1/8"D	Copper	50,000 hrs.

For a full line of spec sheets and mounting instructions, please see our website at www.gmlighting.net