

GM Lighting **STLV-LT LED RECTANGULAR VERTICAL STEP AND PATHWAY LIGHT**

100-240VAC 2W RECTANGULAR VERTICAL LOUVERED TRIM LED STEP AND PATHWAY LIGHTING

PROJECT

TYPE

CATALOG NUMBER

PRODUCT DESCRIPTION

Step and pathway lighting has become a bit brighter with the introduction of GM Lighting's NEW 100-240VAC 2W LED Rectangular Vertical Louvered Step and Pathway Light. The step light's rectangular louvered trim offers a highly visible illuminated detail while the louvers direct light onto the horizontal plane directly below it, making your indoor or outdoor steps or pathways visible and safe to access.

PRODUCT SPECIFICATIONS

Construction: Solid die cast louvered face plate.

Electrical: 3000K 100-240VAC 2Watts. 50,000 hour life.

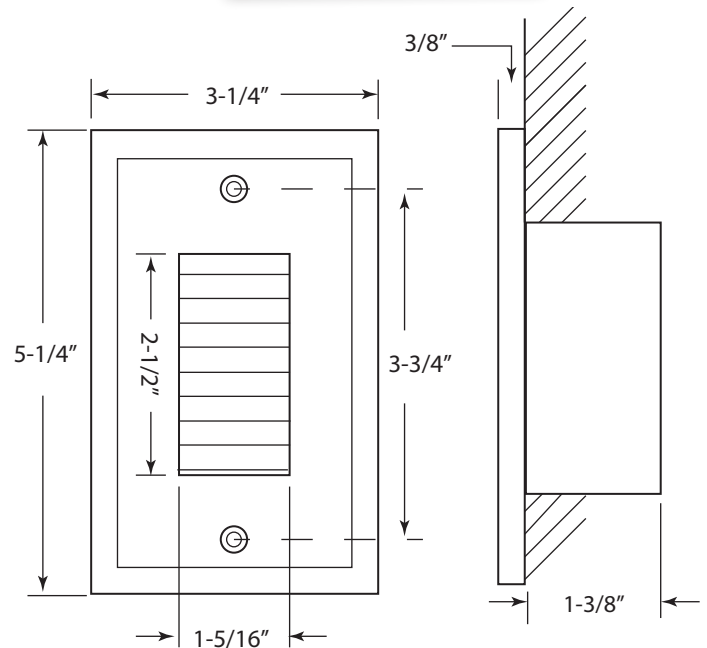
Power Supply: Line voltage. No power supply needed.

Dimming: Not dimmable.

Mounting: Easy to mount. Please check local construction codes.

Rating: For indoor or outdoor applications. ETL listed for through wiring with junction box.

STLV-LT-W



Catalog No.	Description	Wattage	Dimensions	Finish	LED Life
STLV-LT-W	Rectangular Vertical Louvered Shield	2W	5-1/4"H x 3-1/4"W x 3/8"D	White	50,000 hrs.
STLV-LT-B	Rectangular Vertical Louvered Shield	2W	5-1/4"H x 3-1/4"W x 3/8"D	Black	50,000 hrs.
STLV-LT-BNK	Rectangular Vertical Louvered Shield	2W	5-1/4"H x 3-1/4"W x 3/8"D	Brushed Nickel	50,000 hrs.
STLV-LT-DBZ	Rectangular Vertical Louvered Shield	2W	5-1/4"H x 3-1/4"W x 3/8"D	Dark Bronze	50,000 hrs.
STLV-LT-CP	Rectangular Vertical Louvered Shield	2W	5-1/4"H x 3-1/4"W x 3/8"D	Copper	50,000 hrs.

For a full line of spec sheets and mounting instructions, please see our website at www.gmlighting.net