

GM Lighting

LED STEP LIGHT INSTRUCTION SHEET, FOR DRY OR WET LOCATION.

DISCONNECT POWER BEFORE INSTALLING.

CONNECT 120VAC TO BLACK AND WHITE POWER LEADS.

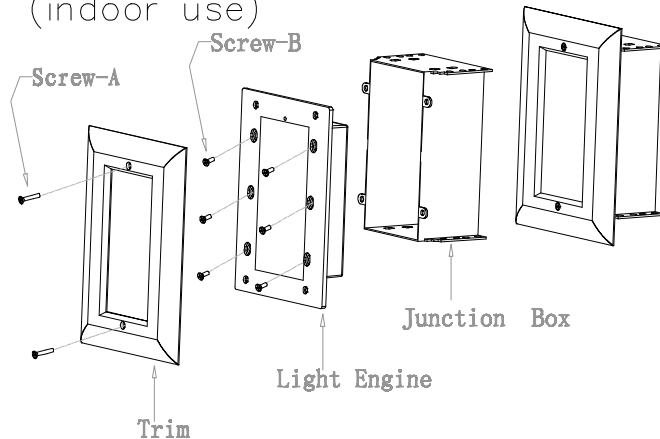
FOLLOW ALL APPLICABLE LOCAL ELECTRICAL CODES.

USE ENCLOSED SCREWS TO MOUNT LIGHT ENGINE SECURELY TO FIXTURE BOX AND SECURE DECORATIVE FACEPLATE.

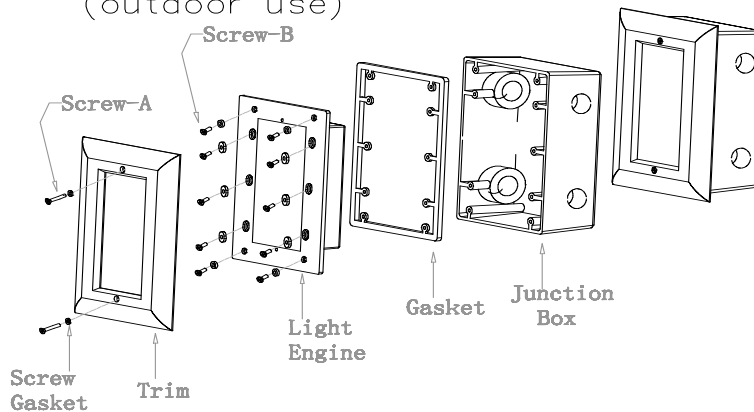
BE SURE TO SEAT GASKET SECURELY TO MAINTAIN WATER TIGHT SEAL TO MOUNTING BOX FOR OUTDOOR MOUNTING. GASKETS ARE NOT REQUIRED FOR DRY LOCATION INDOOR USE.

TIGHTEN ALL SCREWS SECURELY , DO NOT OVER TIGHTEN!

Installation Instruction (indoor use)



Installation Instruction (outdoor use)



Installation Instruction (outdoor use)

