

# LED LumenTask UNDERCABINET LIGHTING



## Installation Instructions for Direct Wire

**NOTE:** Before installing LED LumenTask, turn power off.  
**Space at least 1-1/2" from vertical surface when mounting.**  
**CAUTION:** When driving the pre-affixed mounting screws into the surface, please be careful not to let the screwdriver-bit come into contact with the LED strip mounted inside the fixture. Coming into contact with the LED strip will cause damage to the LED diodes and may cause the fixture not to operate.

1. Remove the glass diffuser by sliding forward until completely out. Set glass aside.

2. Place fixture in desired location (2" from vertical surface) and screw in place with pre-affixed held screws. Mounting surface should be a minimum of 1/2" thick. Optional screws (1/2" provided) for cabinet base or shelf that is 3/8" thick or less.

3. If screws are difficult to install, remove the pre-affixed screws, mark hole placement, and drill hole with maximum 1/16" drill bit.

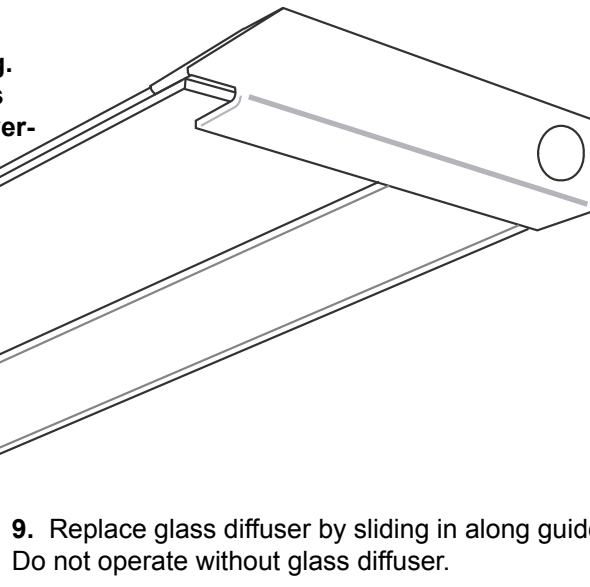
4. Open wiring compartment cover by depressing tab to remove from slot, (Fig. 2) allowing a wiring cover to hinge down and stay open for easy access (Fig. 3).

5. Through one of the knockouts provided, bring incoming wire from power source.

6. 120V LED LumenTask: Connect power source white wire to white fixture wire. Connect power source black wire to black fixture wire.

7. Connect ground wire to supply ground. Ground wire is attached inside fixture.

8. After installation and wiring is complete, tuck wires into wiring compartment and close using locking mechanism.



9. Replace glass diffuser by sliding in along guides (Fig. 4). Do not operate without glass diffuser.

**NOTE: Connect all electrical leads per local codes. Fixture is for indoor use only.**

Fig. 1

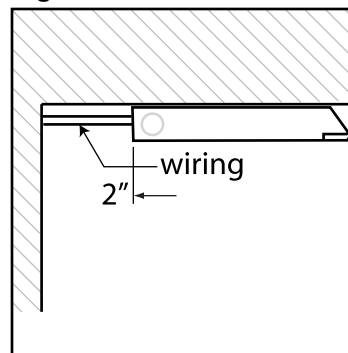


Fig. 2



Fig. 3

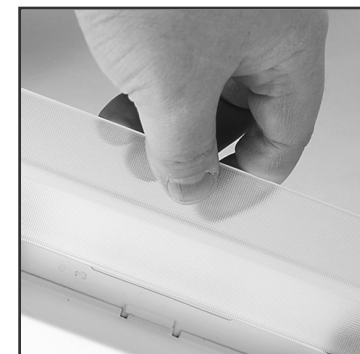


Fig. 4

# GM Lighting