

Tunable White & Dimming Lighting Control System Specification Sheet

Project Name	Type
Catalog #	Date

PRODUCT OVERVIEW

The ChromaDim system offers a complete set of control and luminaire options to provide the best light for many commercial or residential applications. Adjust the color temperature to cooler, brighter levels for tasks or set warmer CCTs at lower light levels for a cozy, relaxing environment. Use the wall control for quick changes or the included wifi App for advanced scenes and presets. Both methods provide superior lighting control.

FEATURES

- Wall control fits Decor style wall plates
- Fits US standard single and multi-gang junction boxes
- WiFi App offers advanced control and preset CCT options
- CCT adjustment from 2400K to 5000K
- 120VAC wall switch with no battery required
- Simple installation and pairing to specific power supplies
- Flicker-free soft dimming and CCT adjustment
- Compliant to IEEE and Title 24 flicker requirements
- Single wall switch can control multiple LED power supplies
- Works with GM's tunable white pucks, downlights, LED tape

APPLICATIONS

Use for Task or General Lighting

- Restaurants/Bars
- Residential Kitchens
- Office & Work Areas
- Family & Entertainment Rooms
- Hotel Lobbies
- Bathrooms
- Bedrooms

ChromaDim Switch and Power Supplies are part of the ChromaDim system.

See these compatible products for more information.



CHROMADIM ORDERING INFORMATION

Catalog No.	Description
LTR-S-TUN-SYS*	System: LTR-S-TUN-SW & LTR-S-TUN-24V-90W
LTR-S-TUN-SW	White WiFi Switch
LTR-S-TUN-24V-90W	90W Power Supply
LTR-S-TUN-24V-200W	200W (2x 96W) Power Supply

*Wall plate cover (by others) NOT included.



Tunable White & Dimming Lighting Control System Specification Sheet

SWITCH AND POWER SUPPLY INSTALLATION NOTES

1. Switch is compatible with Decora style faceplates
2. Switch is compatible with single or multiple gang junction boxes.
3. Switch functions as a single pole switch. Not for three-way applications.
4. Use all 90W or all 200W power supplies on a single switch for best performance.

ELECTRICAL SPECIFICATIONS

Device	Input Voltage	Max Input Current	Max Load	Max on One Switch
LTR-S-TUN-SW (Switch)	120Vac 60Hz	5.0A	600W	—
LTR-S-TUN-24V-90W (Power Supply)	120Vac 60Hz	0.9A	90W	6
LTR-S-TUN-24V-200W (Power Supply)	120Vac 60Hz	1.7A	2x 96W	3

LTR-S-TUN-SW

WALL SWITCH SPECIFICATIONS

ELECTRICAL

- 120V 60Hz input
- 600W max. load
- 100% - 0.1% dimming range
- Logarithmic dimming curve
- Dim-to-Off
- PWM dimming (2400Hz)
- RF communication to power supply
- WiFi communication between switch and app device

COMPLIANCE

- cULus listed
- Class 2 output
- Dry / damp locations only

HOUSING

- White polycarbonate

WARRANTY

- 5 years

POWER SUPPLY SPECIFICATIONS

OPERATING TEMP

- -22 to 104°F (-30 to +40°C)

HOUSING

- Powder coated steel
- Cooling by free-air convection

PROTECTION

- Current overload
- Hiccup mode, autorecovery after short circuit removed

COMPLIANCE

- cULus listed
- Class 2
- Dry / damp locations only
- Title 24/JA8 for flicker
- IP23 rating

WARRANTY

- 5 years

LTR-S-TUN-24V-90W

90W SPECIFICATIONS

ELECTRICAL

- Input: 120AC / 60Hz
- Output: (1x) 24VDC, 3.75A max
- Power Output: 90W max
- >0.96 Power Factor (max load)
- 89% efficiency (max load)

LTR-S-TUN-24V-200W

200W SPECIFICATIONS

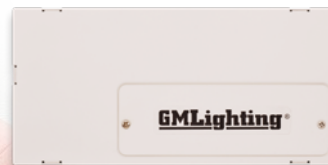
ELECTRICAL

- Input: 120AC / 60Hz
- Output: 24VDC, (2x) 4.0A max
- Power Output: 2x 96W max
- >0.96 Power Factor (max load)
- 89% efficiency (max load)



LTR-S-TUN-SW

Wall plate cover (by others) NOT included.



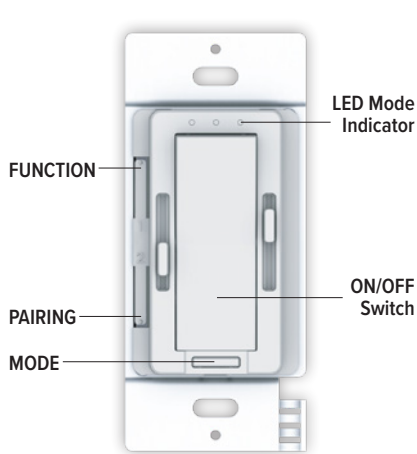
LTR-S-TUN-24V-90W



LTR-S-TUN-24V-200W

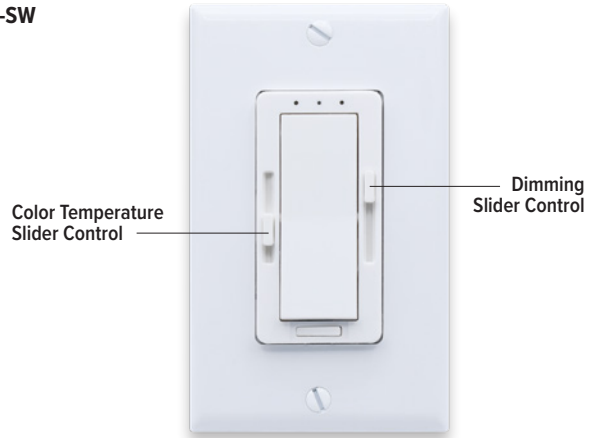
Tunable White & Dimming Lighting Control System Specification Sheet

OVERVIEW



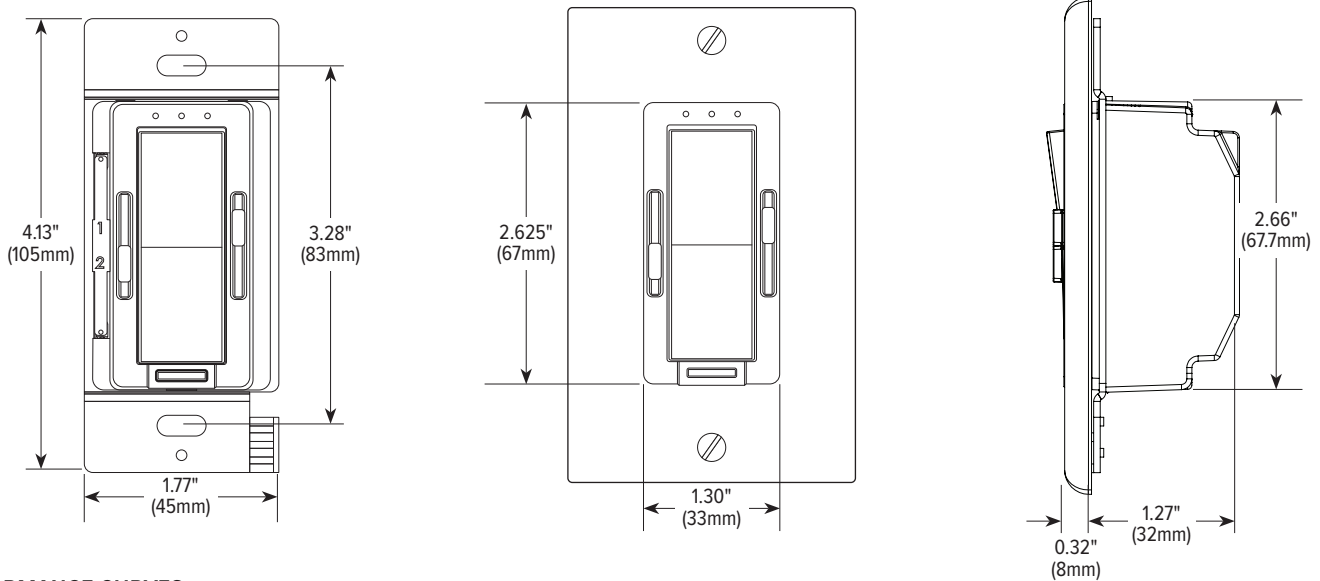
For single or multiple gang junction boxes.
Fits Decora cover plates.

Switch
LTR-S-TUN-SW

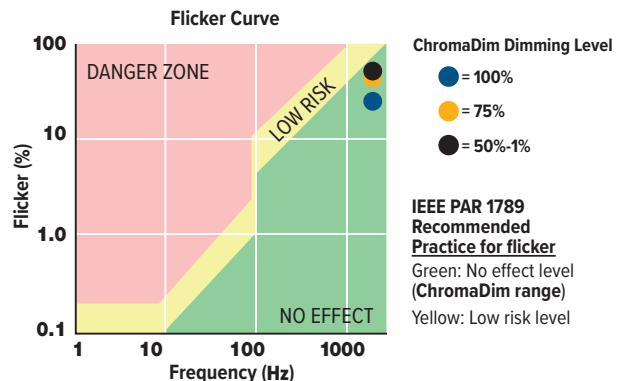
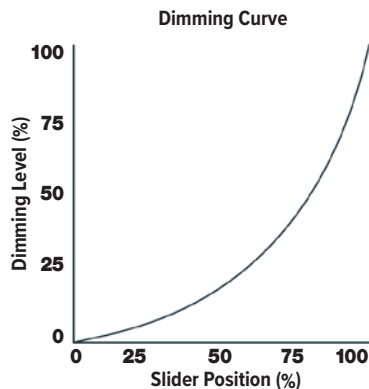
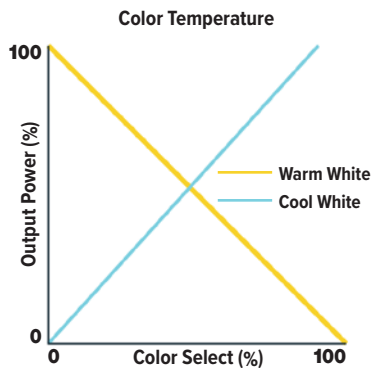


Use with Decora style wall plate (by others).
Wall plate NOT included.

WALL SWITCH DIMENSIONS

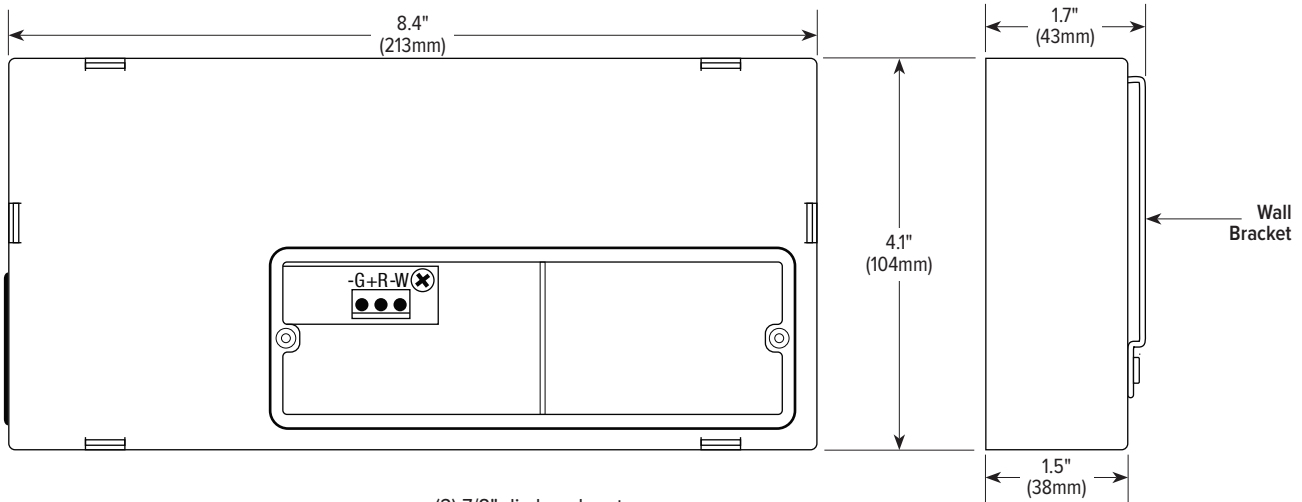


PERFORMANCE CURVES

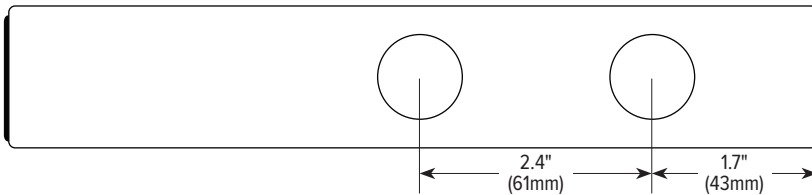


Tunable White & Dimming Lighting Control System Specification Sheet

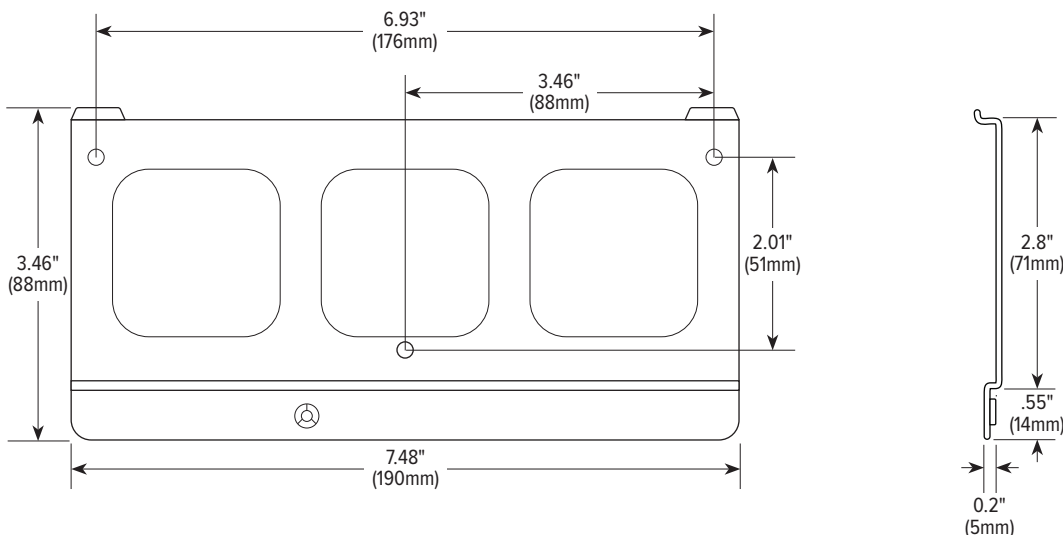
90W POWER SUPPLY DIMENSIONS



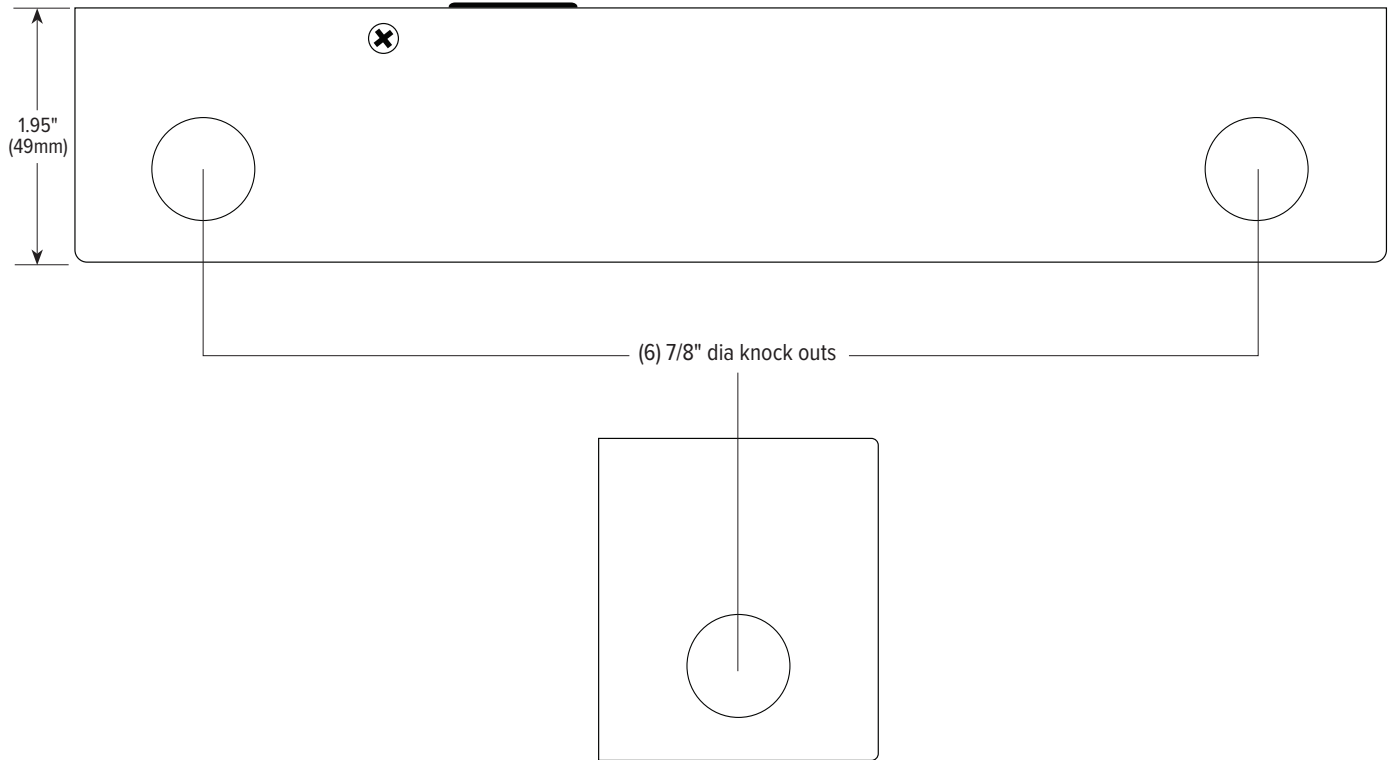
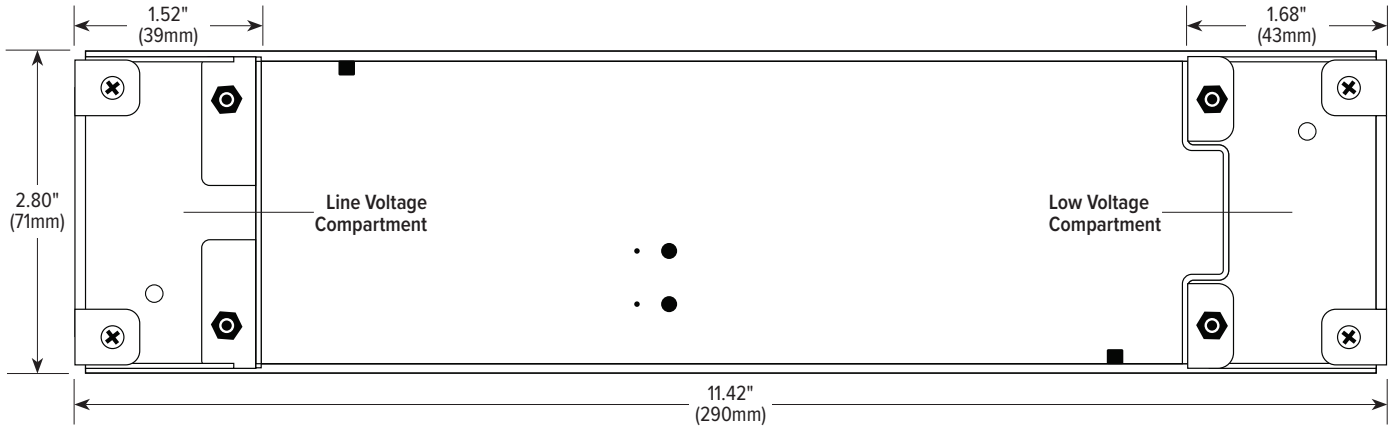
(2) 7/8" dia knock outs:
One for line voltage compartment
One for low voltage compartment



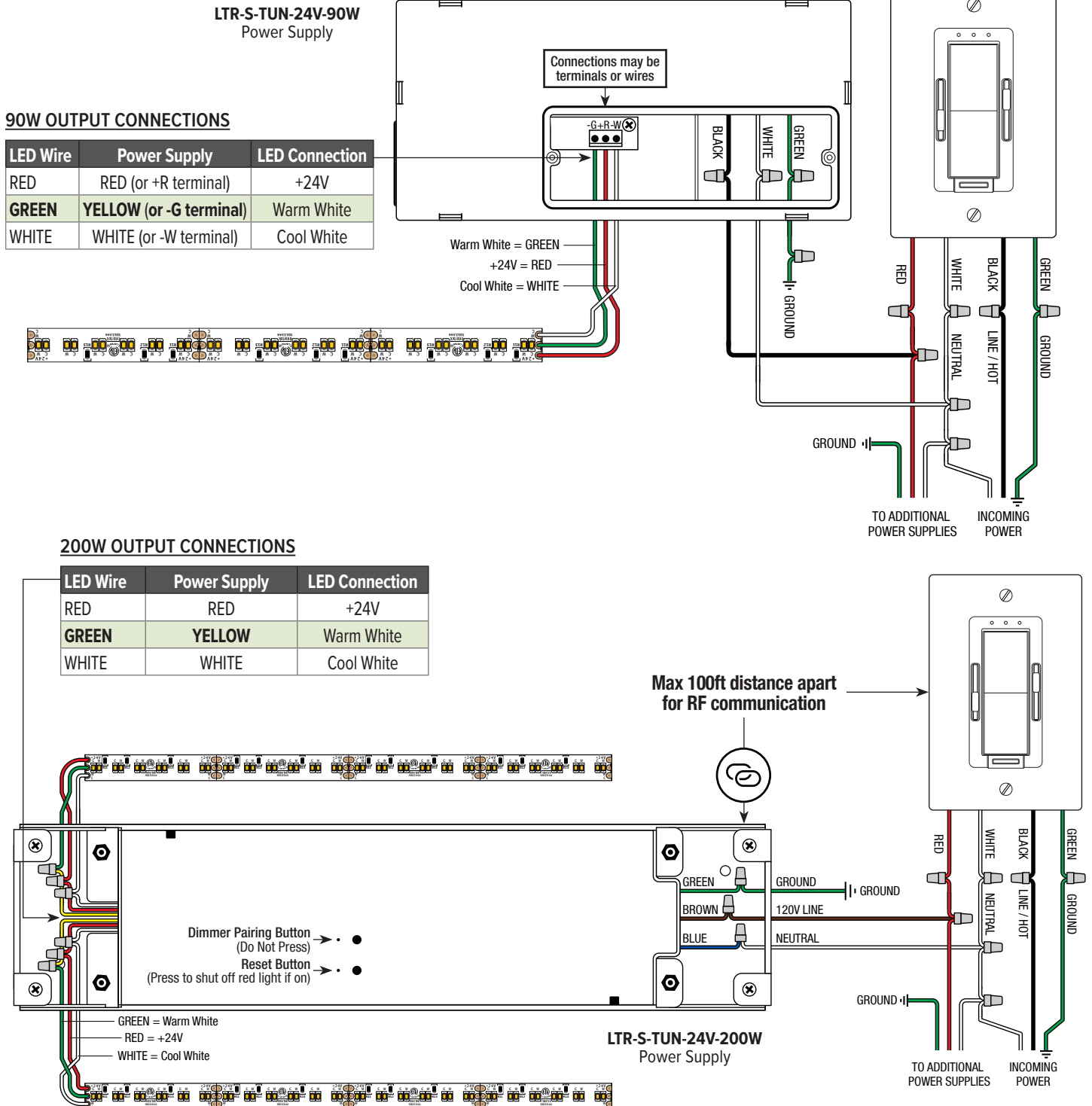
WALL BRACKET DIMENSIONS



200W POWER SUPPLY DIMENSIONS



WIRING DIAGRAMS



Note: All power supplies will work in sync.
(1) Wall Controller can pair with a maximum of (6) 90W
or (3) 200W power supplies.

