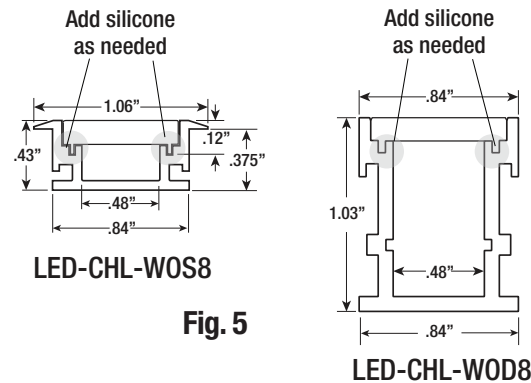
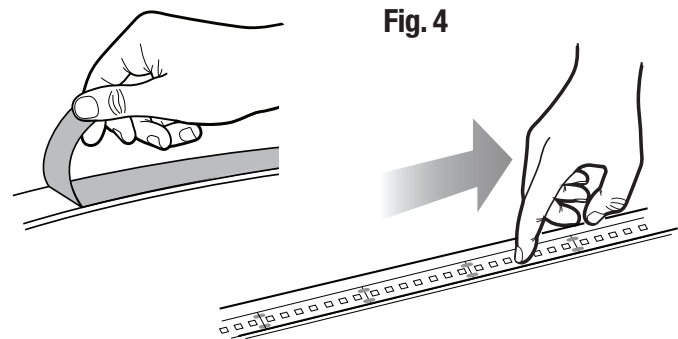
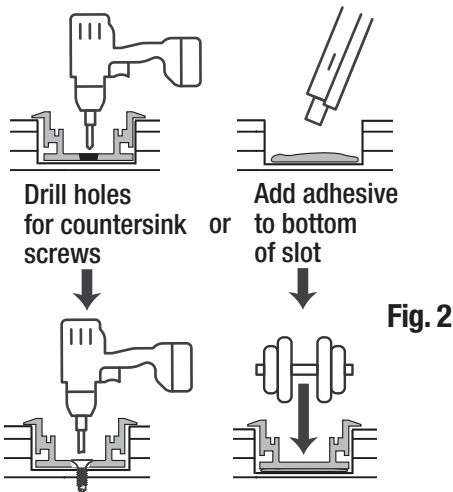
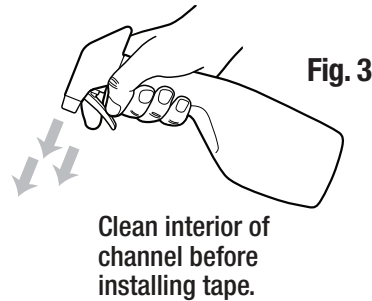
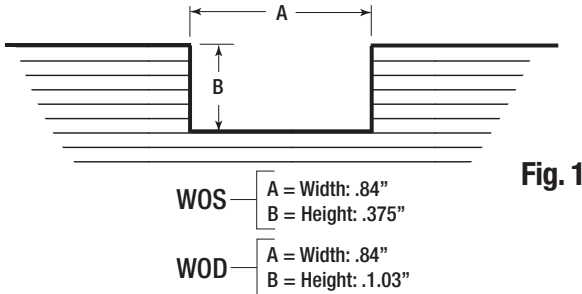


BEFORE YOU START:

- Please check local Electrical codes before beginning
- Turn power off before installing
- Make sure to use properly rated wire

NOTE: FOR INDOOR INSTALLATION ONLY. DO NOT INSTALL IN ENVIRONMENT THAT IS OUTSIDE THE LISTED AMBIENT TEMPERATURE FOR LED TAPE, AND IN AN AREA THAT IS NOT EASILY ACCESSED FOR SERVICE REQUIREMENTS.



NOTE: WE RECOMMEND THAT YOU ENGAGE A QUALIFIED AND LICENSED ELECTRICIAN. FOR INSTALLATION INSTRUCTIONS ON INSIDE AND OUTSIDE CORNER OR COVE CHANNELS, SEE WEBSITE.

1. BEFORE YOU START, DETERMINE IN YOUR CHANNEL LAYOUT WHERE POWER SOURCE WILL BE MOUNTED AND TAPE/CHANNEL'S PROXIMITY TO POWER SOURCE. BE ADVISED THAT SOME POWER SOURCE'S MUST BE MOUNTED IN EITHER A VERTICAL OR HORIZONTAL ORIENTATION.

2. CREATE RECESSED SLOT FOR CHANNEL. Consult mil dimensions to rout out slot in surface material where you will mount your recessed walkover aluminum channel. **Fig. 1.**

3. INSTALLING RECESSED WALKOVER ALUMINUM CHANNEL. Either screw or apply construction adhesive to slot and firmly seat or screw channel into slot. It may be necessary to drill through channel to add more mounting holes, depending on the requirements of your installation. For adhesive mounting, add weights to channel to make sure that it is firmly seated in slot while adhesive cures. **Fig. 2.**

4. INSTALLING LED TAPE. Clean all surfaces of channel interior and make sure that any construction debris or loose adhesive is removed. **Fig. 3.**

5. Peel back 3M double-stick adhesive protective coating from adhesive on back of LED strip. Lay strip into channel. Fig. 4. If needed, apply a bead of silicone to seal channel and lens (when installation is completed). See cutaway diagrams with mil dimensions. **Fig. 5.**

NOTE: SURE-TITE CONNECTORS DO NOT FIT IN CHANNEL. USE SOLDERED FEEDS ONLY.

6. CONNECT TO POWER. Connect black and red leads from the 12V or 24V tape to LineDRIVE or equivalent power supply. **NOTE: 5 YEAR WARRANTY IS ONLY ACTIVE WHEN USING GM LIGHTING LINE DRIVE POWER SUPPLIES. Fig. 6 (next page).**

BEFORE YOU START:

- Please check local Electrical codes before beginning
- Turn power off before installing
- Make sure to use properly rated wire

NOTE: FOR INDOOR INSTALLATION ONLY.

