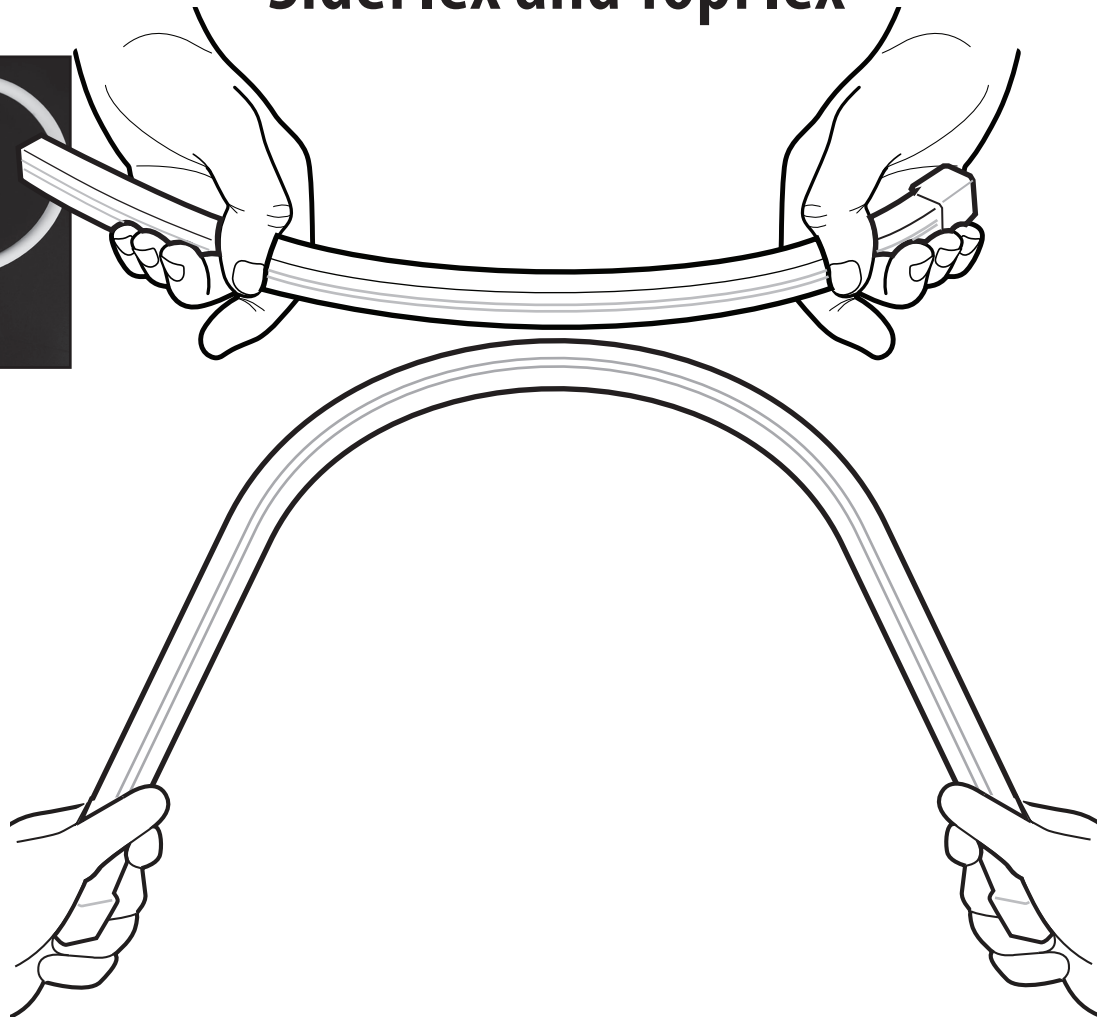


NeoVision24™

24VDC RGBW Neon Tape SideFlex and TopFlex



Congratulations! You are about to install one of the newest developments in linear lighting. NeoVision24 RGBW not only offers a flexible neon linear fixture that emulates a rainbow of vibrant RGBW-Neon hues, it also is presented in two formats that make installation easy. The following instructions will take you through a typical installation. For specifications that call for more intricate installations, please don't hesitate to contact us at tech@gmlighting.net.

READ BEFORE YOU START

NeoVision24 is a professional grade neon tape that utilizes a 24VDC power source. In designing your layout, total wattages should not exceed 80% of rated capacity. Example: If total wattage of your layout is 140W, we recommend using at least a 200W 24VDC Power Supply. GM Lighting offers a wide variety of power supplies in various wattages and assures that your product warranty is good for 5 years.

NOTE: ALL WORK BE PREFORMED BY QUALIFIED AND LICENSED ELECTRICIAN OR CONTRACTOR. MODIFYING OR NOT FOLLOWING INSTRUCTIONS WILL VOID THE WARRANTY FOR THIS PRODUCT.

- Verify all product is accounted for and verify in good condition. If not, skip installation instructions and see contact information at the bottom.
- Please check local electrical codes
- Turn power off before installing
- Make sure to use properly rated wire

RGBW is available in SideFlex and TopFlex, enabling NeoVision24 to turn corners and follow sweeping architectural arcs horizontally and vertically. Field cuttable in 2.5" increments. Cut and cap only.

CONNECTING TO 24VDC POWER SUPPLY

1. Use LineDRIVE non-dimmable 24VDC power supplies. See LineDRIVE instruction sheet on proper connection to 120V or 277V power. Diagram shows use of NEMA3 housing if installing outdoors. QR code will connect you to more information. (FIG. 1).

2. Connect RGBW-RWC controller to 24V power, and to LineDRIVE RGBW tape to controller leads. (FIG. 2).



FIG. 1 Access our 24V Non-Dimmable Spec Sheet and Instruction Sheet

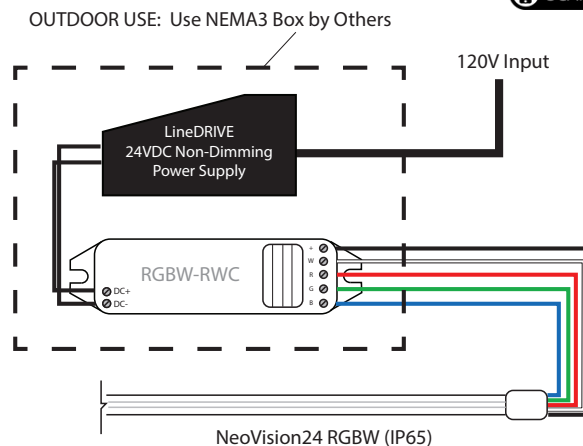
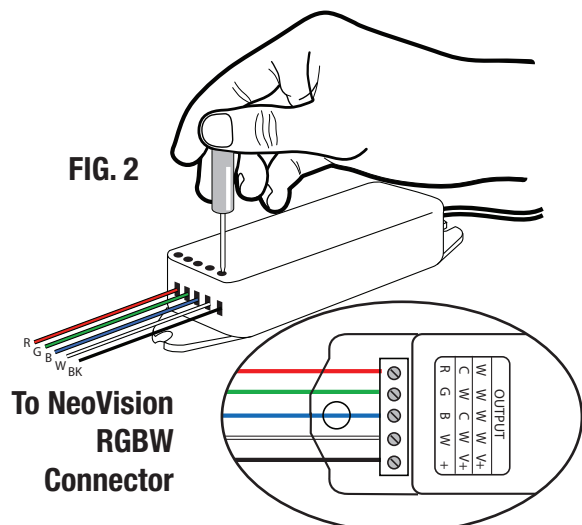


FIG. 2



3. Use Wireless Hand Held Remote that comes with controller to create vivid color effects. **(FIG. 3).**

MOUNTING FOR STRAIGHT RUNS

1. Cut either 4 ft. or 8 ft. aluminum channel to size, and install to surface using screws (supplied) **(FIG. 4).**
2. Press tape into channel, making sure that correct side is facing out. **(FIG. 5).**
3. Make connection outside of channel, allowing for a 1/8" expansion gap between channel and base of connector **(FIG. 6).**
5. Install end cap if desired.

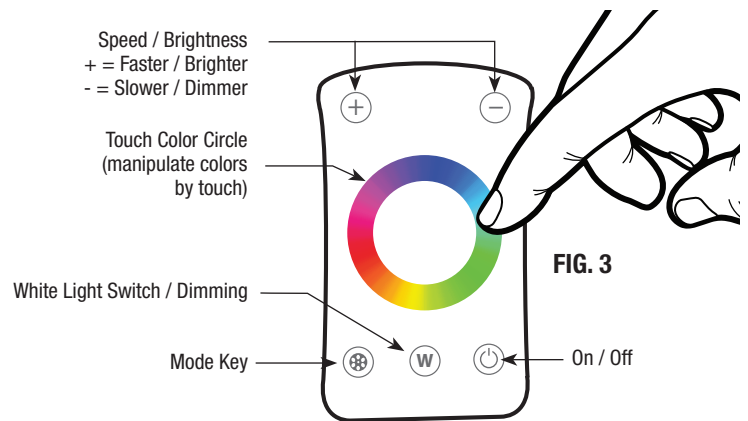
MOUNTING WITH FLEXIBLE MOUNTING CHANNEL (DIAGRAMS NEXT PAGE)

Each length of flexible mounting channel comes in 39.5" runs. You can trim run to size using NV24-CT cutting tool, or heavy duty shears. Follow these simple instructions to create a flexible channel that follows horizontal curves **(FIG. 7).**

1. Insert tape into prongs of flexible mounting channel.
2. Screw tabs of mounting channel into surface, making sure that curves are no tighter than 6" radius or you risk shorting out tape.

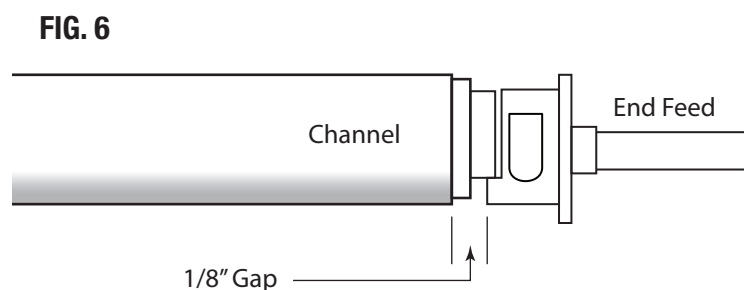
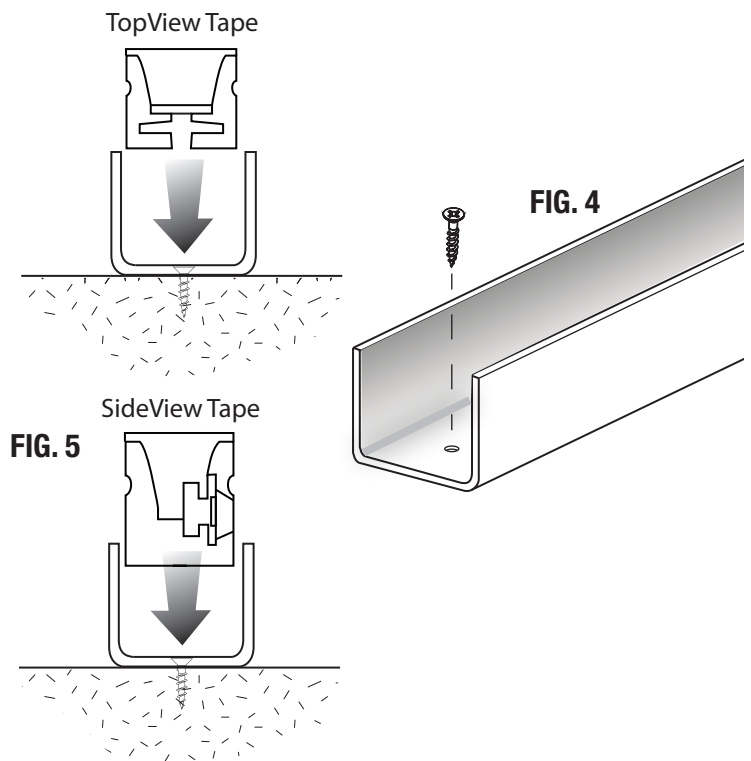
MOUNTING WITHOUT A CHANNEL, USING MOUNTING CLIPS (DIAGRAM NEXT PAGE)

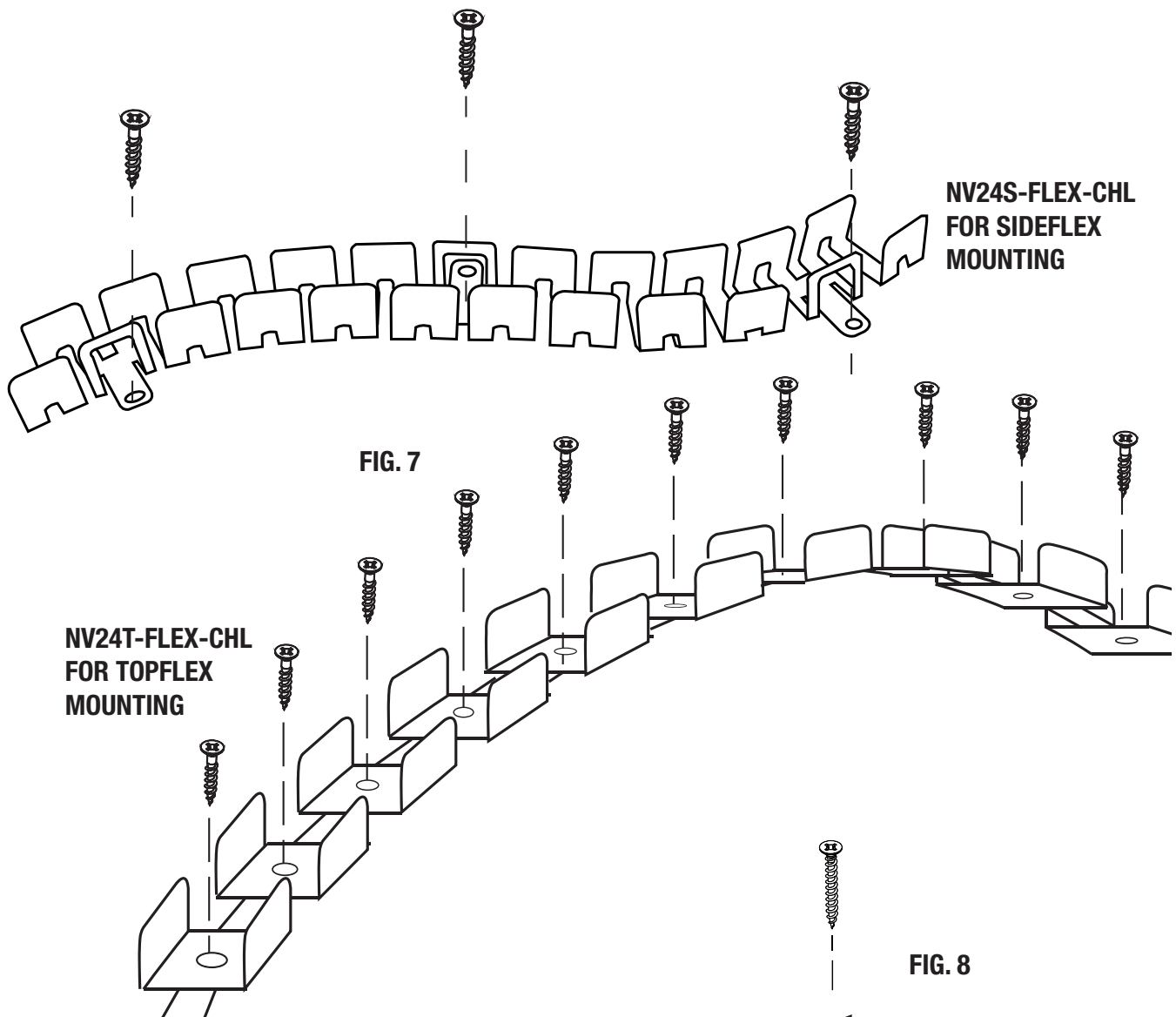
1. Install mounting clips every 12" over length of run **(FIG. 8)**. Each clip comes with screw and screw anchor for mounting in drywall or other similar surfaces.
2. Mounting clips are spring loaded and will capture tape. Slowly work tape down into clip.



MODES

No.	Mode	Instruction	No.	Mode	Instruction
1	Static Red	Brightness Adjustable	7	Static White	Brightness Adjustable
2	Static Green	Brightness Adjustable	8	RGB Skipping	Speed/Brightness Adjustable
3	Static Blue	Brightness Adjustable	9	7 Colors Skipping	Speed/Brightness Adjustable
4	Static Yellow	Brightness Adjustable	10	RGB Color Smooth	Speed/Brightness Adjustable
5	Static Purple	Brightness Adjustable	11	Full-color Smooth	Speed/Brightness Adjustable
6	Static Cyan	Brightness Adjustable	12	Static Black	White Light can be turn/off and adjusted





LINKS TO SUPPLEMENTAL INFO

Access these codes for more information on your NeoVision24 purchase.



SCAN ME
Spec Sheets



WATCH NOW
Video



SCAN ME
Sales Sheet

