

Electronic Non-Dimmable 12/24VDC LineDRIVE Power Supply Specification Sheet



Project Name	Type
Catalog #	Date

PRODUCT OVERVIEW

LineDRIVE Series 12VDC / 24VDC Electronic LED Power Supplies are Class 2 rated and are designed to work with select LED fixtures that do not require dimming. Encased in a low profile powder coated steel enclosure that includes 4 knock-outs to enable easy installation, these LineDRIVE power supplies are the perfect choice for GM Lighting products.



FEATURES

- Output constant voltage
- 120V / 277V input
- Class 2 or Non Class 2
- Over current protection
- Short circuit protection
- UL listed
- 5 year warranty



SPECIFICATIONS

ELECTRICAL

- 12V/24VDC
- 120/277VAC
- Load: min. 10% to max. 100% for optimal performance

HOUSING

- Black powder coated steel enclosure
- Cooling by free-air convection

ENVIRONMENT

- Storage in a dry location

OPERATING TEMP

- -40 to 140°F (-40 to +60°C)

CERTIFICATION

- UL listed
- Cert. CSA C22.2 No. 250.2
- Class 2

PROTECTION

- Hiccup mode, recover automatically after fault condition is removed

WARRANTY

- 5-year warranty

ORDERING INFORMATION

Example: LD-E-UNV60

Model	Series	Type	Watts	Voltage
LD	E	UNV	30	*Blank
			60	**24
			96	
			200	
			300	

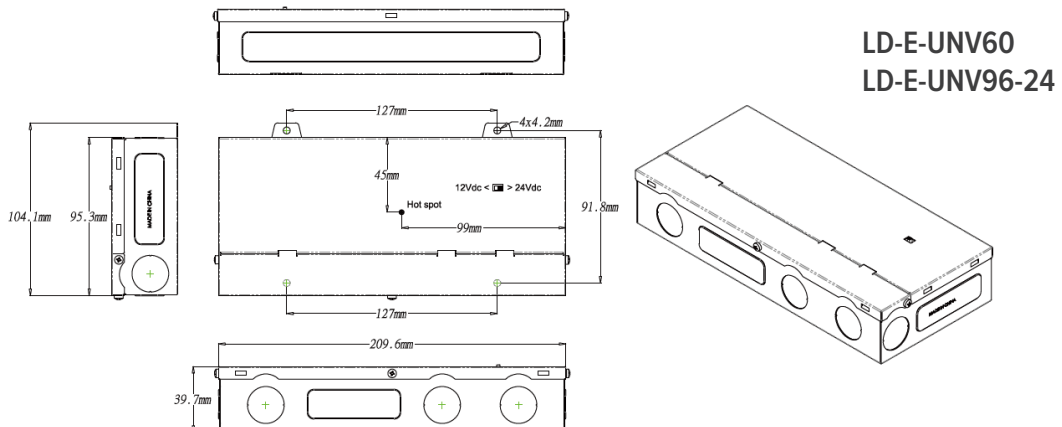
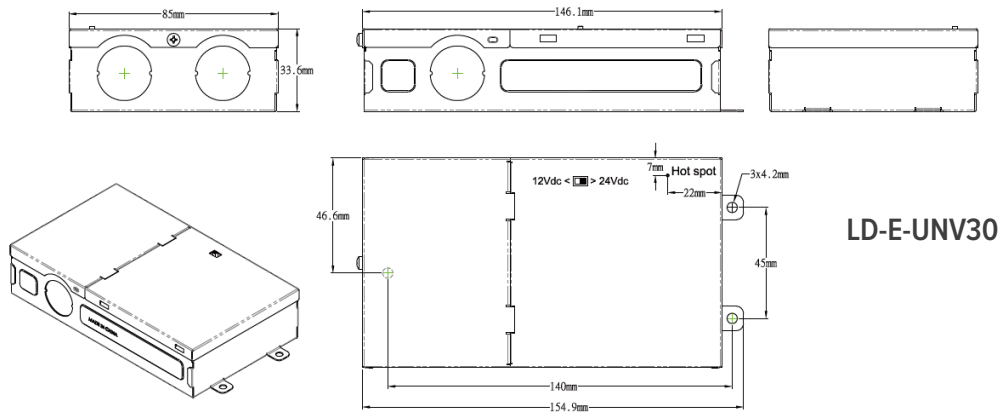
*LD-E-UNV30 and LD-E-UNV60 are dual voltage (12/24V)

**LD-E-UNV96, 200 and 300 are 24V only

Electronic Non-Dimmable 12/24VDC LineDRIVE Power Supply Specification Sheet

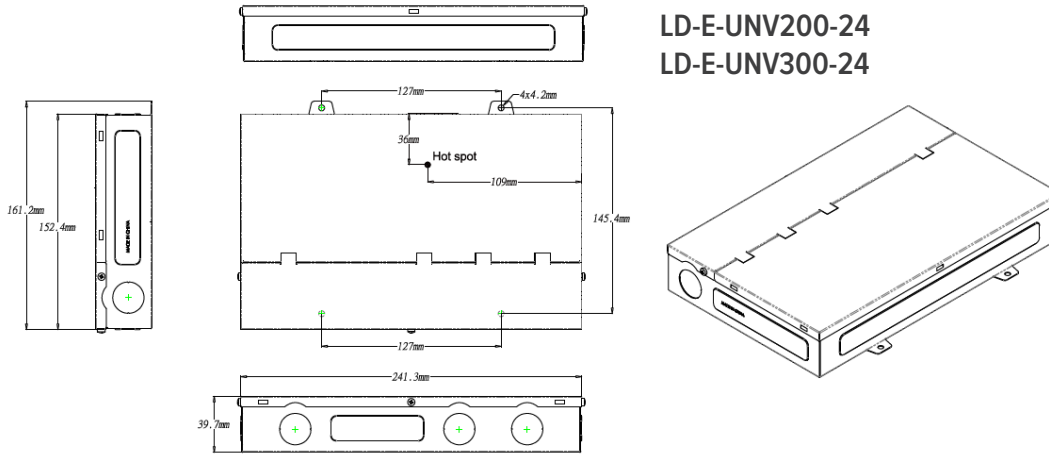
	Output	Input	Power Factor	Efficiency	Weight	Size (L*W*H)
LD-E-UNV30	12V / 30W / 2.5A 24V / 30W / 1.25A	0.35A@120V 0.20A@240V 0.17A@277V	> 0.9	12V / 84% 24V / 88%	1.1lbs (500g)	6.10x3.35x1.33in (154.9*85*33.6mm)
LD-E-UNV60	12V / 60W / 5A 24V / 60W / 2.5A	0.63A@120V 0.32A@240V 0.28A@277V		12V / 86% 24V / 86%	2.2lbs (1000g)	8.25x4.10x1.56in (209.6*104.1*39.7mm)
LD-E-UNV96-24	24V / 96W / 4A	0.94A @120V 0.47A @240V 0.41A @277V		24V / 90%	2.2lbs (1000g)	
LD-E-UNV200-24	24V / 192W / 4A	2.23A@120V 1.11A@240V 0.99A@277V		4.4lbs (2000g)	24V / 90%	9.50x6.35x1.56in (209.6*104.1*39.7mm)
LD-E-UNV300-24	24V / 288W / 4A	3.35A@120V 1.71A@240V 1.51A@277V				

DIMENSION



Electronic Non-Dimmable 12/24VDC LineDRIVE Power Supply Specification Sheet

DIMENSION



WIRING DIAGRAM

