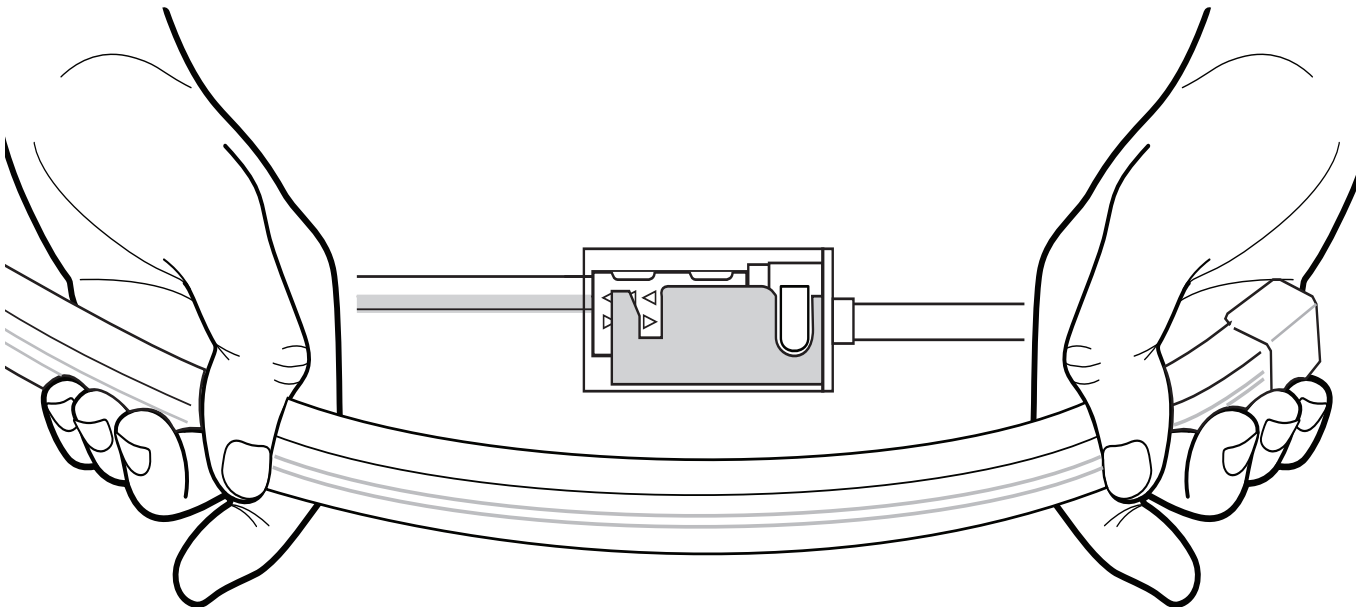


NeoVision24™

24VDC 3W Neon Tape - SideFlex



Congratulations! You are about to install one of the newest developments in linear lighting. NeoVision24 not only offers a flexible neon linear fixture that emulates the rich and vibrant hues of neon, it also is presented in two formats that make installation easy. The following instructions will take you through a typical installation. For specifications that call for more intricate installations, please don't hesitate to contact us at tech@gmlighting.net.

READ BEFORE YOU START

NeoVision24 is a professional grade linear fixture that utilizes a 24VDC power source. In designing your layout, total wattages should not exceed 80% of rated capacity. Example: If total wattage of your layout is 140W, we recommend using at least a 200W 24VDC Power Supply. GM Lighting offers a wide variety of power supplies in various wattages and assures that your product warranty is good for 5 years.

NOTE: ALL WORK BE PREFORMED BY QUALIFIED AND LICENSED ELECTRICIAN OR CONTRACTOR. MODIFYING OR NOT FOLLOWING INSTRUCTIONS WILL VOID THE WARRANTY FOR THIS PRODUCT.

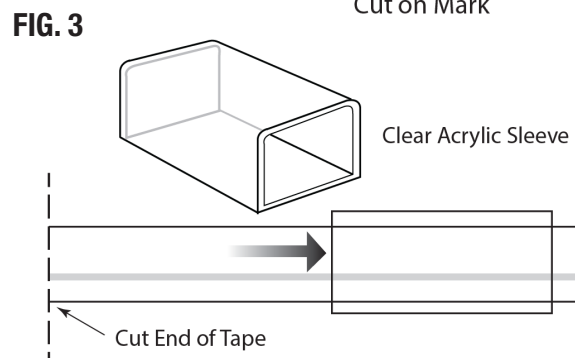
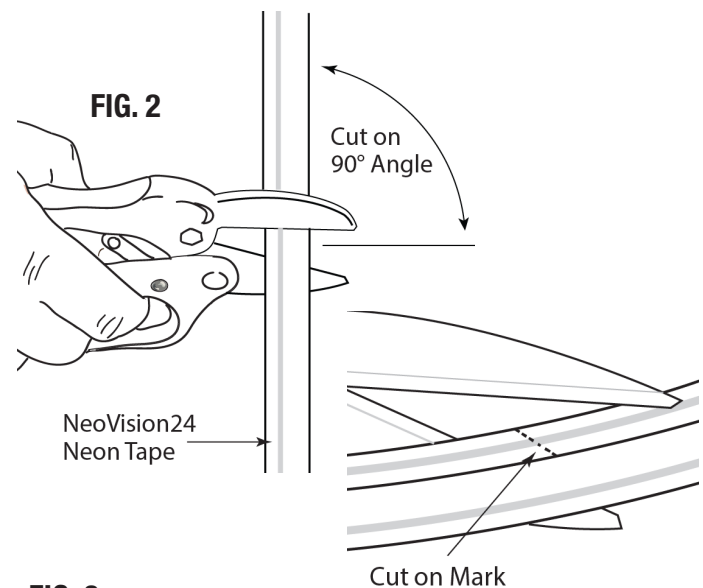
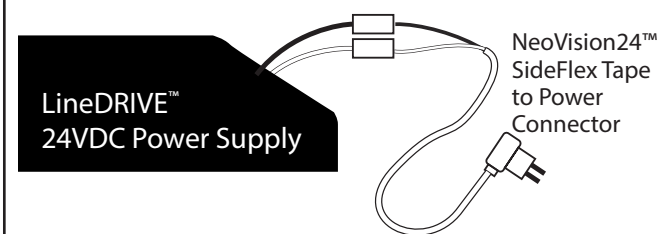
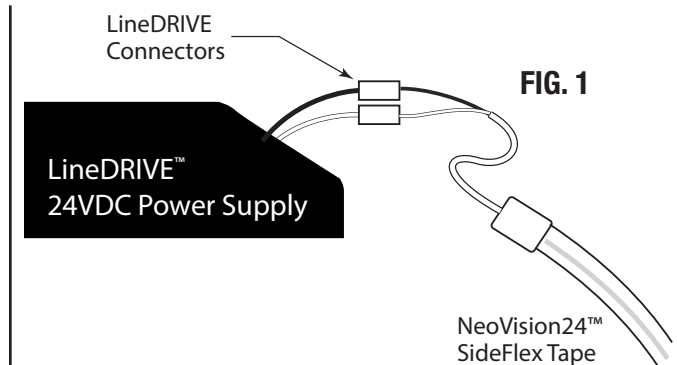
- Verify all product is accounted for and verify in good condition. If not, skip installation instructions and see contact information at the bottom.
- Please check local electrical codes
- Turn power off before installing
- Make sure to use properly rated wire

SIDEFLEX enables NeoVision24 to turn corners and follow sweeping architectural arcs horizontally. Field cuttable and joinable in 2" increments.

HARDWIRING TO 24VDC POWER SUPPLY

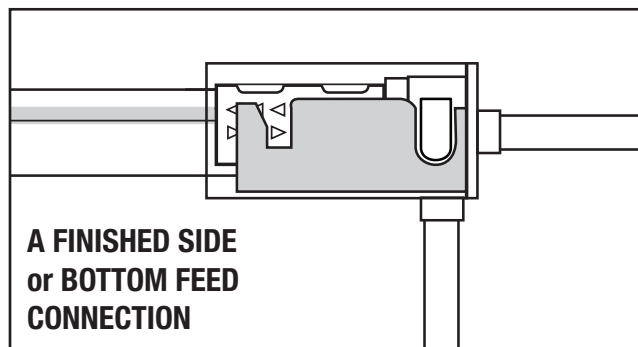
1. Determine your layout and mark tape where it is to be cut (cuttable every 2" only) for installing tape to power supply connector. Place power supply in convenient location, making sure to follow local electrical codes. Connect leads from NeoVision or a tape to power feed connector. Connect leads to power supply (**FIG. 1**).

2. Cut tape at cut marks using either matte-knife, mitre shears (shown) or NV24T tape cutting tool. Make a clean cut, perpendicular to the length of tape. (**FIG. 2**).

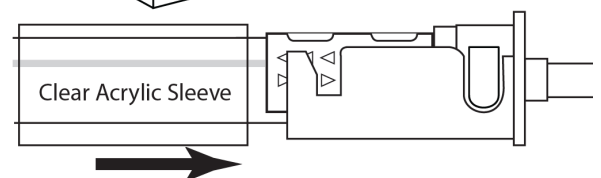
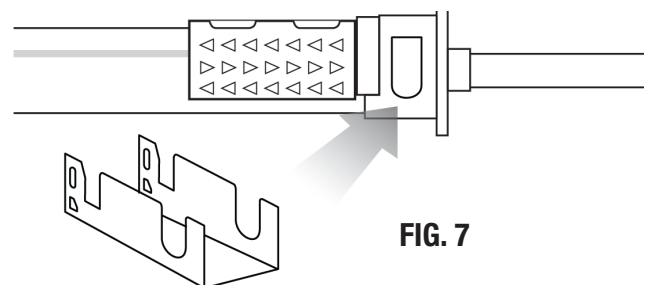
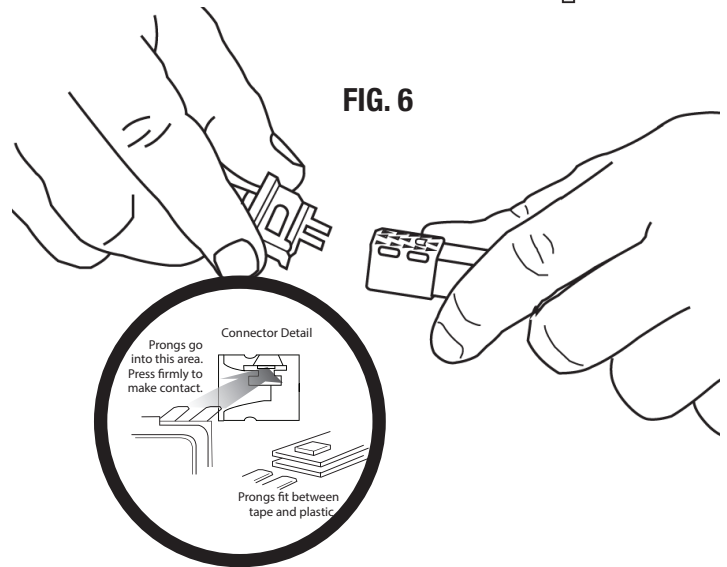
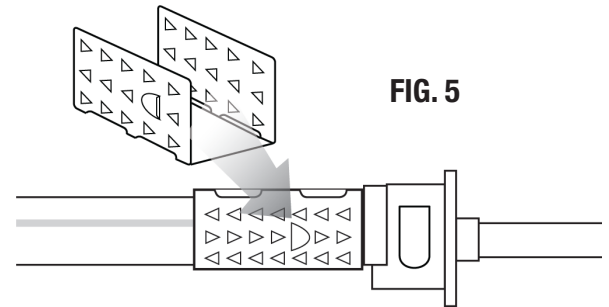
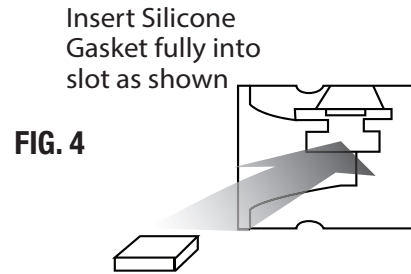


3. Slide clear acrylic sleeve over one cut end of tape and move it along the length of tape so that it is temporarily out of the way (**FIG. 3**).
4. Insert small silicone gasket (**FIG 4**). Into slot at one end of tape. Make sure that wafer is embedded all the way and is held firmly.
5. Using metallic serrated joiner, place over cut end and press into place. Serrated points should 'grab into' tape material (**FIG. 5**).
6. Slide prongs from connector carefully into end of tape, making sure that they are in contact with the metallic leads (**FIG. 6**). See detail.
7. Using connector lock sleeve, press onto joined connector, trapping round end of connector and dimple on serrated joiner. Press firmly to lock into place. Slide clear acrylic sleeve over connector (**FIG. 7**).
8. Turn on power and check connections.

MAKING A TAPE TO TAPE CONNECTION - Repeat steps 1 through 8 to connect other end of connector to second length of tape.



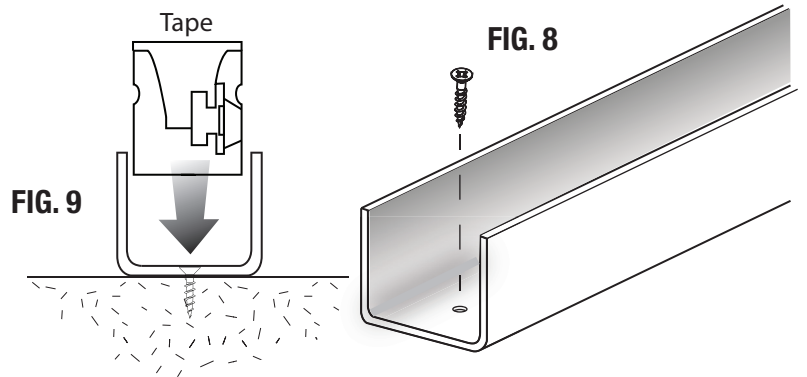
Now that you've connected it, let's mount it. Mounting instructions on next page.



GM Lighting NeoVision24 SideFlex Mounting Installation

MOUNTING FOR STRAIGHT RUNS

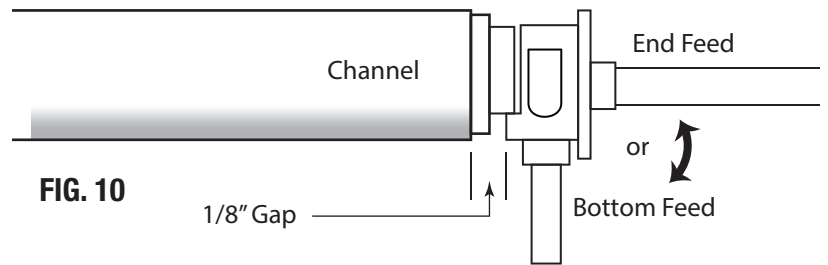
1. Cut either 4 ft. or 8 ft. aluminum channel to size, and install to surface using screws (supplied).
2. Press tape into channel (**FIG. 8**), making sure that correct side is facing out. (**FIG. 9**).
3. Make connection outside of channel, allowing for a 1/8" expansion gap between channel and base of connector (**FIG. 10**).
5. Install end cap if desired.



MOUNTING WITH FLEXIBLE MOUNTING CHANNEL

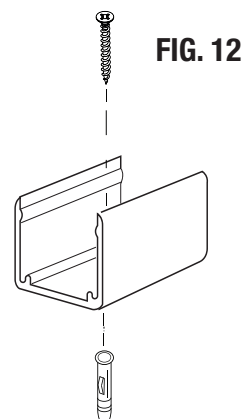
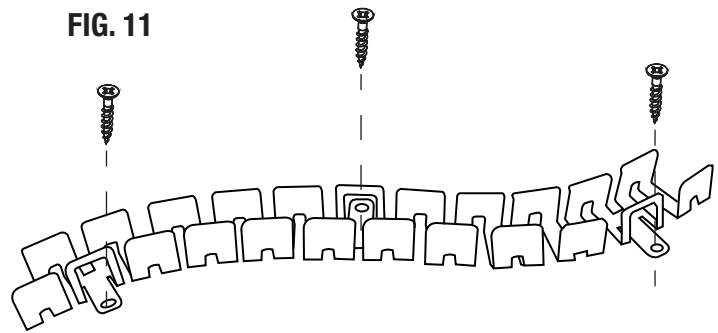
Each length of flexible mounting channel comes in 39.5" runs. You can trim run to size using NV24-CT cutting tool, or heavy duty shears. Follow these simple instructions to create a flexible channel that follows horizontal curves (**FIG. 11**).

1. Insert tape into prongs of flexible mounting channel.
2. Screw tabs of mounting channel into surface, making sure that curves are no tighter than 6" radius or you risk shorting out tape.



MOUNTING WITHOUT A CHANNEL, USING MOUNTING CLIPS

1. Install mounting clips every 12" over length of run (**FIG. 12**). Each clip comes with screw and screw anchor for mounting in drywall or other similar surfaces.
2. Mounting clips are spring loaded and will capture tape. Slowly work tape down into clip.



LINKS TO SUPPLEMENTAL INFO

Access these codes for more information on your NeoVision24 purchase.



SCAN ME
Spec Sheets



WATCH NOW
Video



SCAN ME
Sales Sheet

GM Lighting®