

ChromaDim

Tunable White & Dimming Lighting Control System



Project Name	Type
Catalog #	Date

PRODUCT OVERVIEW

ChromaDim Tunable White & Dimming System offers a single-switch and driver eliminating redundant components and compatibility issues for superior performance. Enjoy smooth and soft color tuning by customizing your tunable white installation. Device pairing takes place automatically when the light is first switched on.



FEATURES

- Wall Controller and Driver for Tunable White and Dimming
- CCT Adjustment from 2400K to 5000K
- 120VAC Wall Switch with no Battery Required
- Simple Installation w/ Automatic Pairing
- Flicker-Free Soft Dimming and CCT Adjustment
- Compliant to IEEE and Title 24 Flicker Requirements
- A Single Wall Switch Can Control Multiple LED Drivers (6)
- Works with GM's Tunable White Pucks, Downlights, LED Tape
- No minimum load required
- UL Listed



WALL SWITCH SPECIFICATIONS

ELECTRICAL

- 120V
- 600W max. load
- 100% - 0.1% dimming range
- Logarithmic dimming curve
- Dim-to-Off
- PWM dimming method (2400Hz)
- RF auto pairing

COMPLIANCE

- UL listed to CSA, UL standards
- For dry and damp locations only
- Class 2

WARRANTY

- 5-year warranty

HOUSING

- White glossy polycarbonate

ORDERING INFORMATION

Example: LTR-S-TUN-SYS

Model	Series	Type	Voltage
LTR	S	TUN	SYS

Note: Includes (1) Wall Controller and (1) 90W Driver

ACCESSORIES

Model	Description
LTR-S-TUN-24V-90W	90W 24V Tunable White Driver

Note: (1) Wall Controller can pair with (6) drivers max.

DRIVER SPECIFICATIONS

ELECTRICAL

- 24VDC voltage
- 90W max. power
- 3.75A rated current
- 120VAC / 60Hz
- >0.96 Power factor
- 89% efficiency (max load)

HOUSING

- White powder coated steel enclosure
- Cooling by free-air convection

OPERATING TEMP

- -22 to 104°F (-30 to +40°C)

COMPLIANCE

- UL listed to CSA, UL standards
- For dry and damp locations only
- Class 2
- IP23 rating

PROTECTION

- Current overload protection
- Hiccup mode, auto-recovery after short circuit removed

WARRANTY

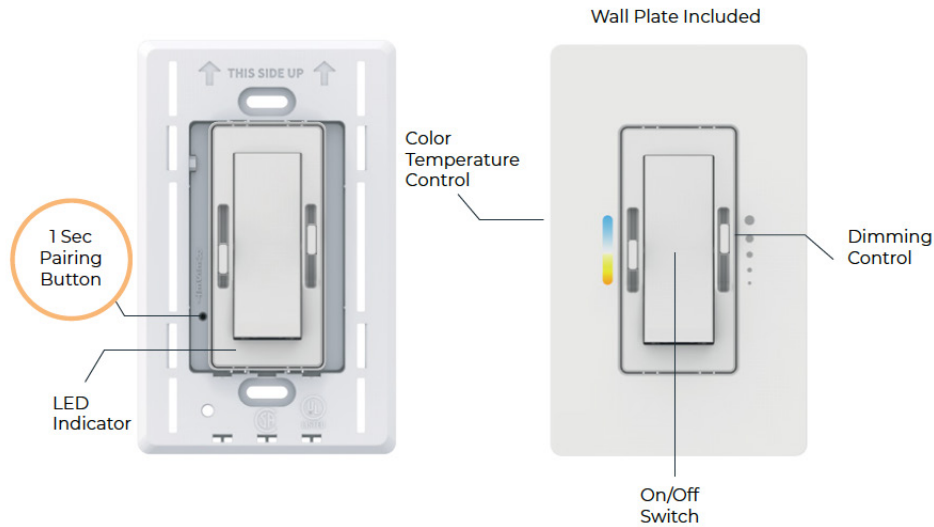
- 5-year warranty

ChromaDim

Tunable White & Dimming Lighting Control System

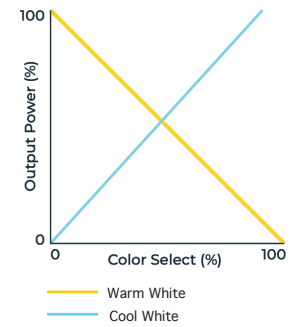


OVERVIEW

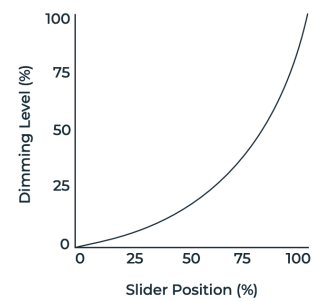


PERFORMANCE CURVES

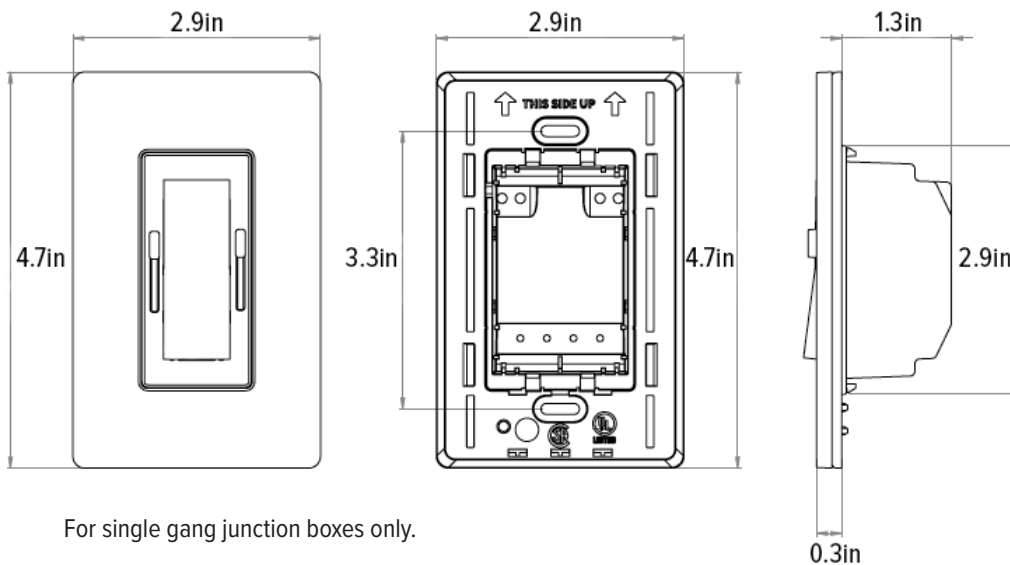
Color Temperature



Dimming Curve



WALL SWITCH DIMENSIONS

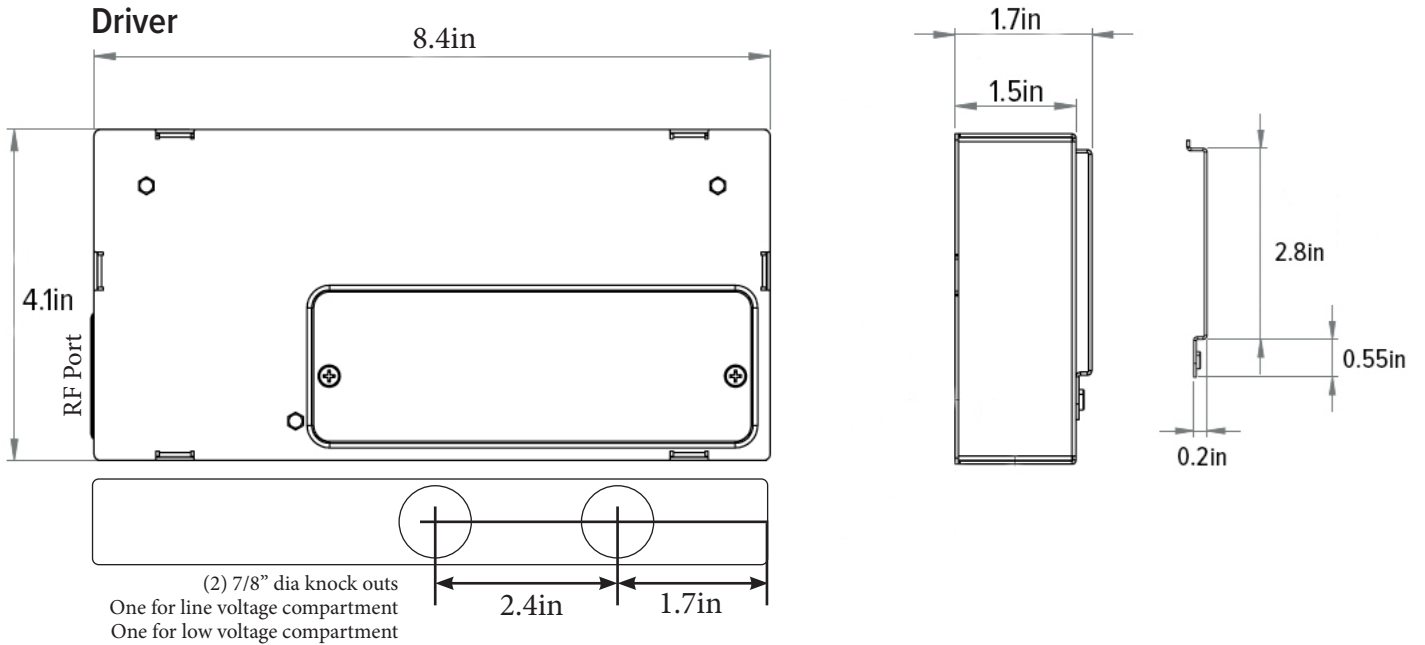


ChromaDim

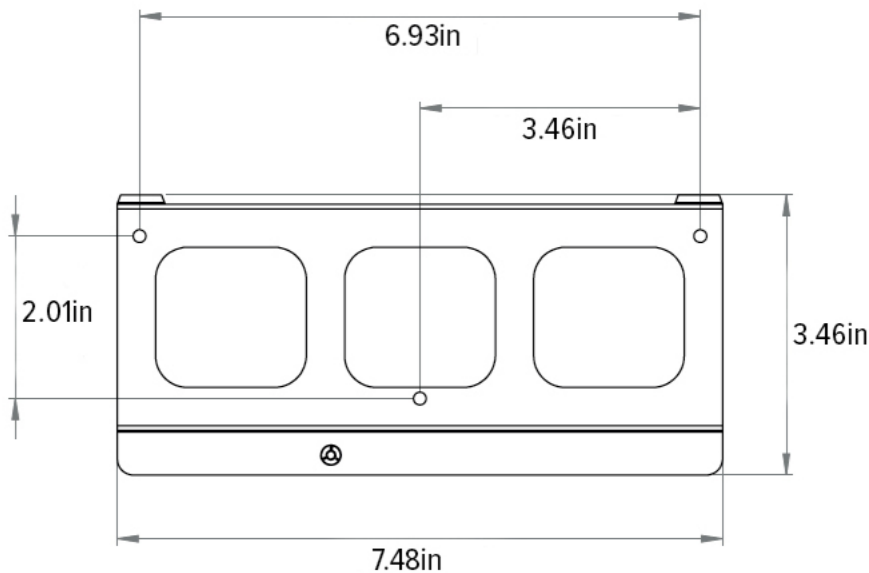
Tunable White & Dimming Lighting Control System



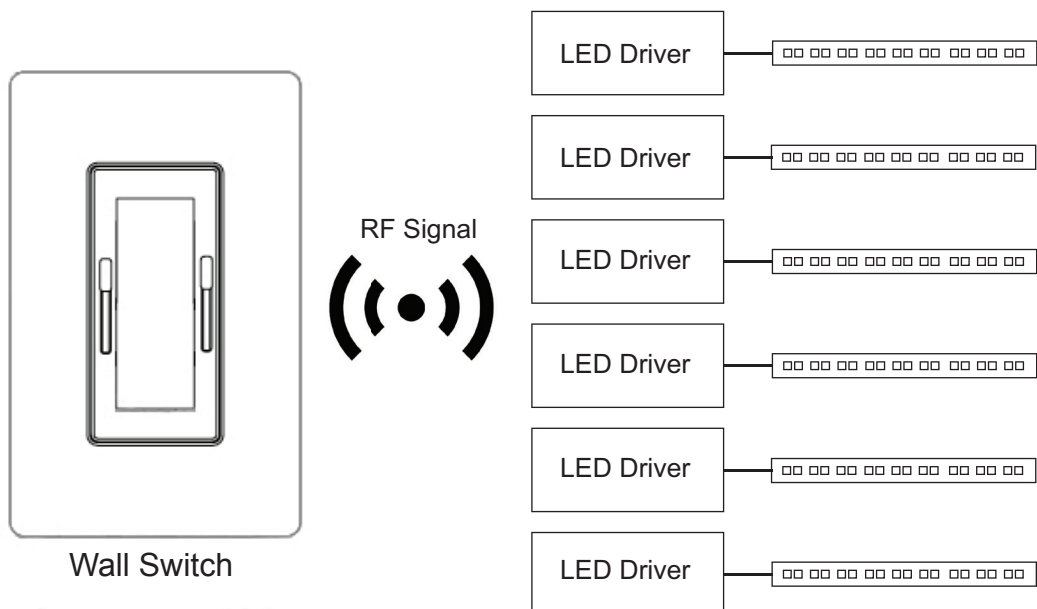
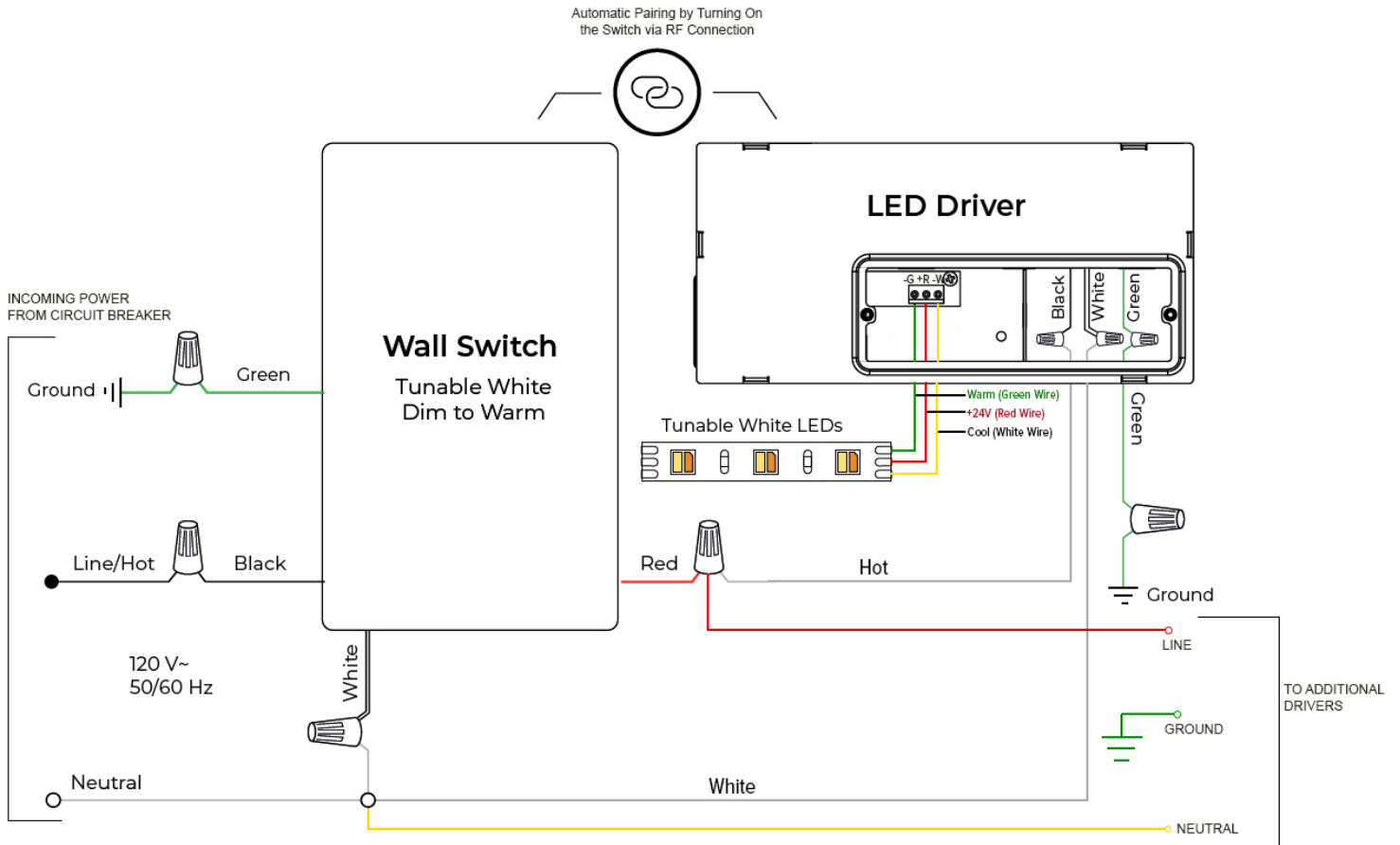
DRIVER DIMENSIONS



Wall Bracket



WIRING DIAGRAM



Note: All drivers will work in sync. (1) Wall Controller can pair with (6) drivers max.