

24VDC SLIM PUCK

SURFACE/RECESS MOUNT LED



Project Name	Type
--------------	------

Catalog #	Date
-----------	------

PRODUCT OVERVIEW

A 3" (75mm) diameter circular surface (with mounting ring) or recessed (without mounting ring) puck. Constructed of a high quality aluminum body with white polycarbonate diffuser lens for low glare. Available in White, Black, Bronze and Brushed Nickel trim.



FEATURES

- 24VDC operation
- 2.2W
- 2700K / 3000K
- Multiple finishes
- Dimmable w/ ELV drivers
- Surface or recess mount
- Magnetic cover plates
- 5 year warranty when used with GM power supplies
- Ambient Operating Temperature: -4°F to 113°F

NOTE: Use electronic power supplies only (PSD15-24 or PSD24-24 or PSD60-24). Magnetic power supplies are not compatible with this fixture.



SPECIFICATIONS

ELECTRICAL

- 24V
- 2.2W
- Max. 4 pucks on PSD15-24
- Max. 8 pucks on PSD24-24

CERTIFICATION

- ETL listed

WARRANTY

- 5 year warranty

OPTICS

- 80+ CRI
- 2700K / 165lm
- 3000K / 170lm

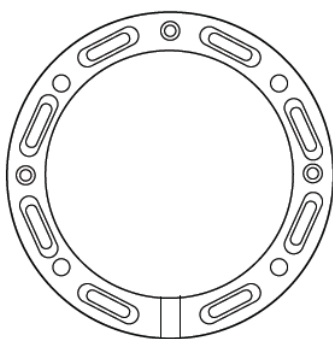
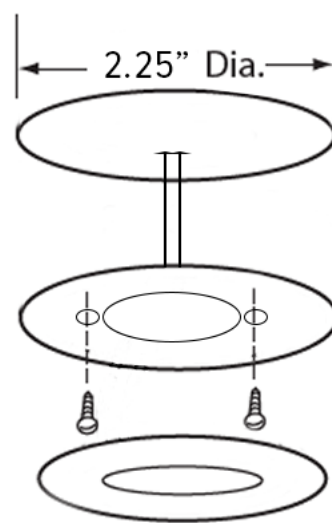
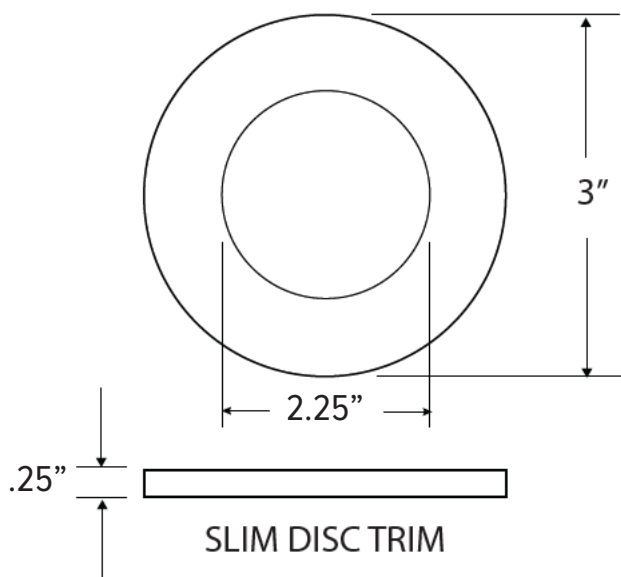
ORDERING INFORMATION

Catalog No.	Dimensions	Wattage	Lumens	CRI	Color Temp	Finish
PL24V-27-W	3" dia. x 1/4" depth	2.2W	165	80+	2700K	White
PL24V-27-B	3" dia. x 1/4" depth	2.2W	165	80+	2700K	Black
PL24V-27-BZ	3" dia. x 1/4" depth	2.2W	165	80+	2700K	Bronze
PL24V-27-BNK	3" dia. x 1/4" depth	2.2W	165	80+	2700K	Brushed Nickel
PL24V-30-W	3" dia. x 1/4" depth	2.2W	170	80+	3000K	White
PL24V-30-B	3" dia. x 1/4" depth	2.2W	170	80+	3000K	Black
PL24V-30-BZ	3" dia. x 1/4" depth	2.2W	170	80+	3000K	Bronze
PL24V-30-BNK	3" dia. x 1/4" depth	2.2W	170	80+	3000K	Brushed Nickel

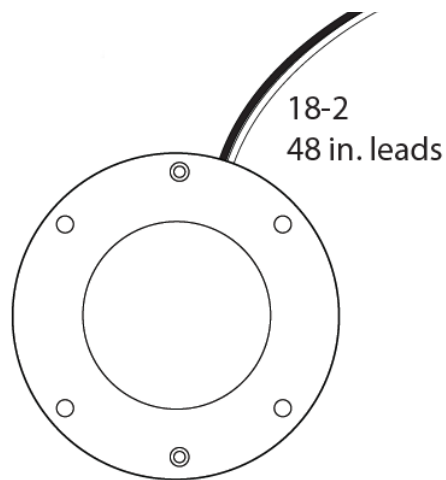
24VDC SLIM PUCK

SURFACE/RECESS MOUNT LED

DIMENSIONS



SURFACE MOUNT RING



LAMP HOLDER RING

COMPATIBLE DIMMERS

Models
DIVA-CL
LUTRON-MAESTRO-MCL-153
LUTRON DIVA 303P
LUTRON CASETA-PD
LEVITON DECORA
LUTRON SKYLARK-CONTOUR-CL