

BEFORE YOU START:

- Please check local electrical codes before beginning
- Turn power off before installing
- Make sure to use properly rated wire

NOTE: DO NOT INSTALL IN AN APPLICATION THAT IS OUTSIDE OF THE PRODUCTS LISTED AMBIENT TEMPERATURE AND IN AN AREA THAT IS NOT EASILY ACCESSED FOR SERVICE REQUIREMENTS.

TURN POWER OFF FROM ELECTRICAL PANEL BEFORE INSTALLATION. REFER TO HOLE CUT TABLE BELOW FOR ACCURATE DIAMETER. RUN ELECTRICAL WIRE FROM THE SWITCH (POWER SUPPLY) THROUGH THE MOUNTING HOLE - USE NMD90 ROMEX OR BX CABLE.

CUT-OUT DIMENSIONS	
CAT. NO. PREFIX	HOLE DIAMETER
RSD-3	3-1/4"
RSD-4	4-1/4"
RSD-6	6-1/8"

1. OPEN HARDWIRE BOX COVER and remove appropriate knock-outs. Insert electrical supply cable through knock-out and using wire nuts, connect green ground wire of cable to green wire on box. Connect white wire from cable to white wire in box. Connect black wire of cable to black wire of box. (**Fig. 1**). **Use switch to select desired color temp before closing box.** Secure cable with cable connector (sold separately).

2. PLACE WIRE and connectors back in box, close cover, and push box up through ceiling hole, letting modular connector dangle from hole (**Fig. 2**). **NOTE: For new construction, secure hardwire box to studs, joists, or similar fixed structure. For remodel applications, driver can be loose.**

3. CONNECT FIXTURE TRIM to modular jack by inserting and twisting the male / female connectors (**Fig. 3**).

4. INSTALL FIXTURE into ceiling by pushing spring loaded clips on the fixture upwards and pushing fixture up into the mounting hole. Release the clips and the fixture will be pulled flush to ceiling (**Fig. 4**). A new construction plate (UNV-NCP) is available for new construction installations (**Fig. 5**).

5. TURN POWER ON to confirm that fixture is working properly.

TOOLS REQUIRED:

- Hole saw
- Measuring Tape
- Electrical Wire (use type and gauge suitable for installation).

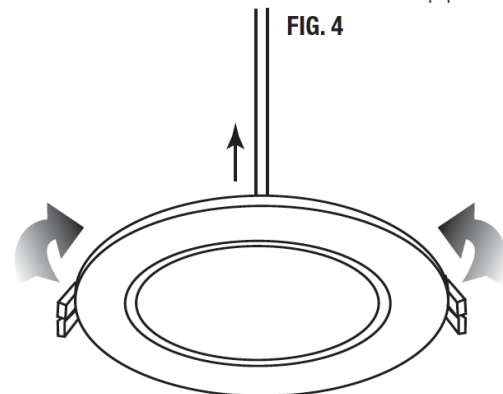
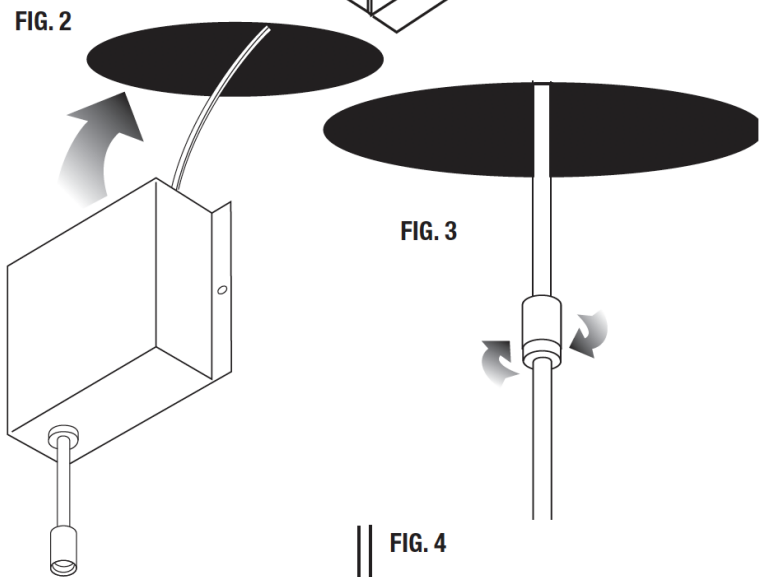
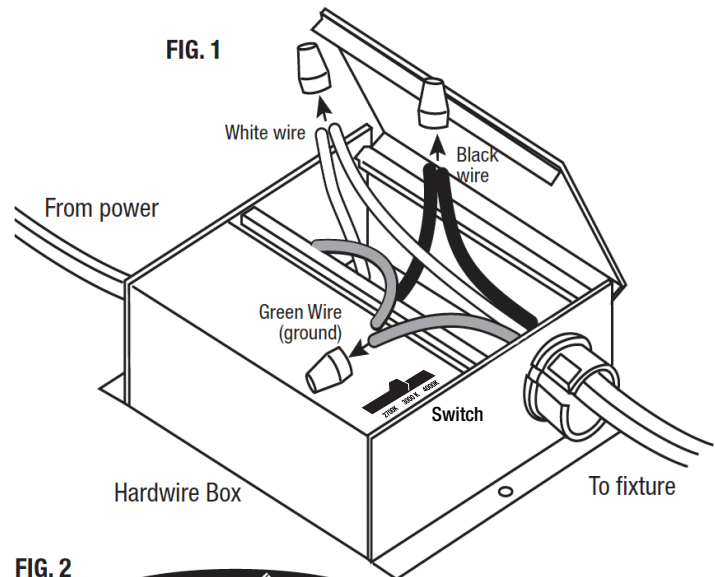


FIG. 5

