

BEFORE YOU START:

- Please check local Electrical codes before beginning
- Turn power off before installing
- Make sure to use properly rated wire

NOTE: WE RECOMMEND THAT YOU ENGAGE A QUALIFIED AND LICENSED ELECTRICIAN. ALL SYSTEM PARTS ARE COMPATIBLE WITH AND ONLY WORK TOGETHER. DO NOT ATTEMPT TO SWAP OUT OTHER MANUFACTURERS PRODUCTS. INSURE THAT BOTH WALL SWITCH AND LED DRIVER IS GROUNDED IN ACCORDANCE WITH NEC OR LOCAL ELECTRICAL CODES.

DO NOT INSTALL IN AN APPLICATION THAT IS OUTSIDE OF THE PRODUCTS LISTED AMBIENT TEMPERATURE AND IN AN AREA THAT IS NOT EASILY ACCESSED FOR SERVICE REQUIREMENTS.

1. BEFORE YOU START, DETERMINE LOCATION OF SYSTEM PARTS: WALL SWITCH ① LED DRIVER ② TUNABLE WHITE TAPE ③ (FIG. 1)

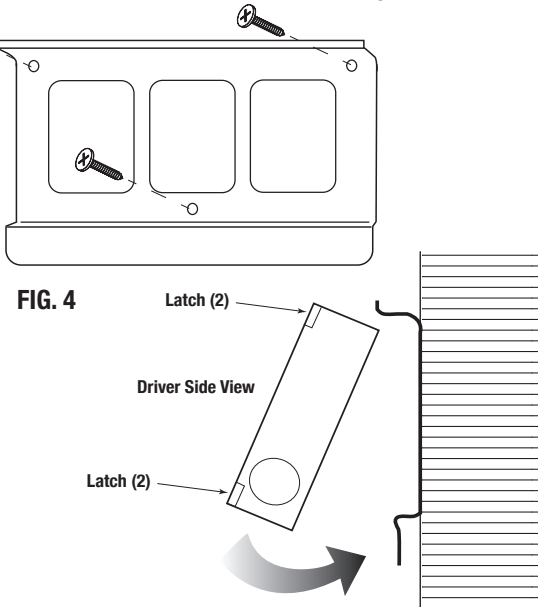
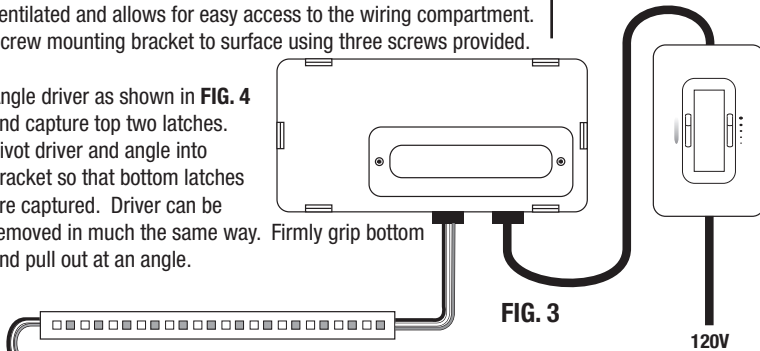
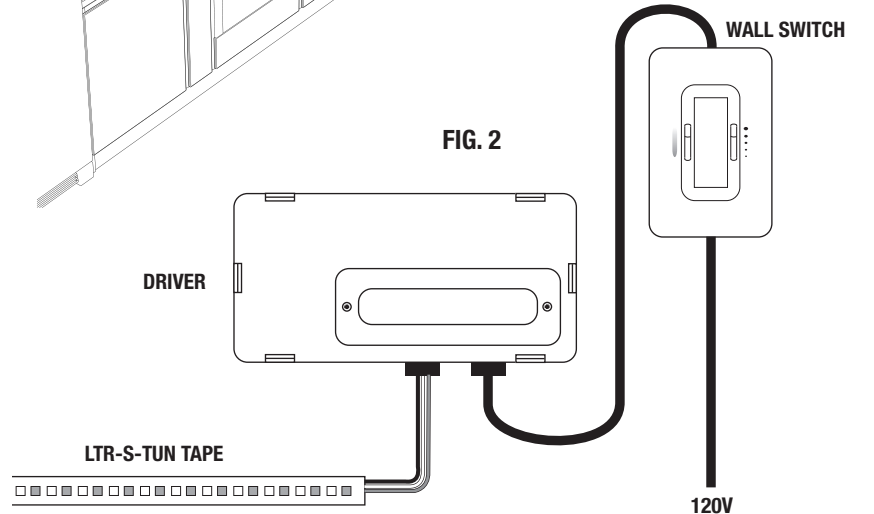
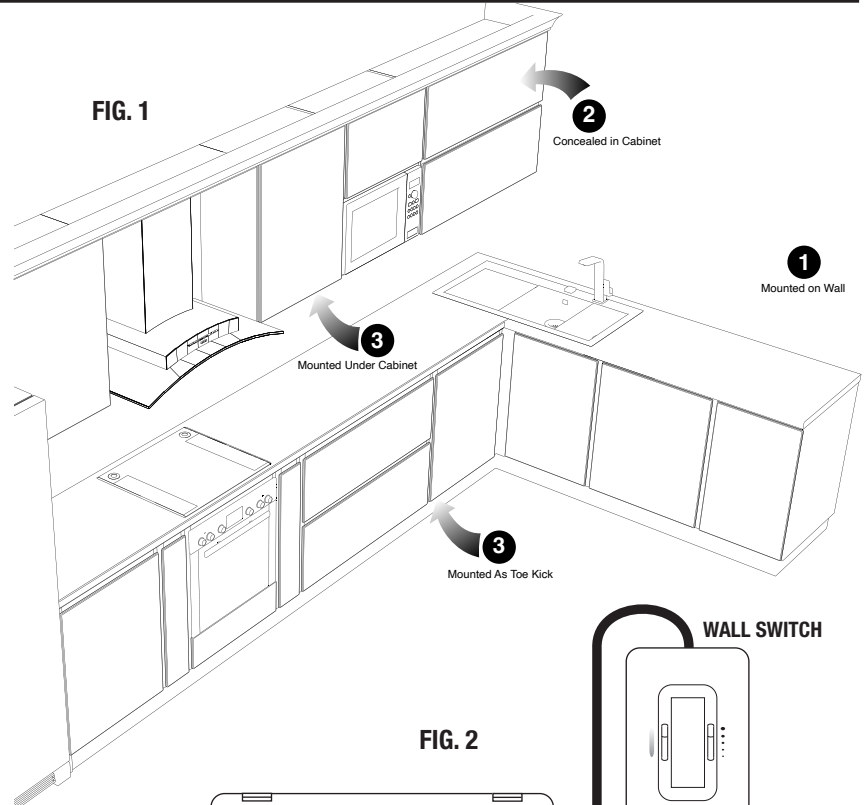
2. OVERVIEW OF SYSTEM WIRING: Consult diagram of system (FIG. 2) and how each component is connected. Complex tape installations where any number of lengths are connected to a single output is possible. (FIG. 3) For example: A kitchen undercabinet and toe kick installation from a single output is possible. So is a complex display arrangement, entertainment system, or hallway. You are only limited by your imagination and a maximum of 600 total combined watts (or 20 feet per run, not including length of connectors).

NOTE: BECAUSE DRIVER IS OFTEN REMOVED IN A CONCEALED AREA, YOU MAY OPT TO WIRE DRIVER BEFORE INSTALLING IT INTO MOUNTING BRACKET. IF SO, GO TO STEP 5 ON NEXT PAGE.

3. MOUNTING THE DRIVER: Determine area where driver will be mounted. Make sure that it is well ventilated and allows for easy access to the wiring compartment. If mounting in a kitchen, make sure that it is far enough away from rising heat or heat sources so as the circuitry is not affected..

4. SECURE MOUNTING BRACKET TO SURFACE: Determine area where driver will be mounted. Make sure that it is well ventilated and allows for easy access to the wiring compartment. Screw mounting bracket to surface using three screws provided.

Angle driver as shown in FIG. 4 and capture top two latches. Pivot driver and angle into bracket so that bottom latches are captured. Driver can be removed in much the same way. Firmly grip bottom and pull out at an angle.



CONTINUED FROM PREVIOUS PAGE

- Please check local Electrical codes before beginning
- Turn power off before installing
- Make sure to use properly rated wire

4. INSTALLING WALL SWITCH: ChromaDim's Wall Switch installs into a single-gang wall box that measures 4" x 2-1/8" x 2". Maximum allowable load is 120V with a 5amp / 600W capacity. Consult wiring diagram (FIG. 5) for the following instructions:

- Connect green wire (ground) from 120V power to green wire from Wall Switch. Affix firmly with wire nut.
- Connect black wire (hot) from 120V power to black wire from Wall Switch. Affix firmly with wire nut.
- Connect black wire from driver to red wire from Wall Switch. Affix firmly with wire nut.
- Connect the white wire (negative) from 120V power to white LED driver wire and the white Wall Switch wire.

5. WIRING DRIVER TO TAPE: Use any of the knock-outs located on the sides of the driver to bring in through-wiring from the switch and from the LED tape. Using a Phillips head screwdriver, remove wiring compartment cover and set aside. Bring in the three leads from the LED tape and secure to the terminals as shown in FIG. 6. Wiring schematic in step 4 is connected via the Wagu connectors shown in this detail.

6. INSTALLING TAPE: Tape can be installed in LED mounting channels, or by peeling back 3M adhesive and burnishing tape down to surface. Consult channel instructions on using channel and see tape instructions on proper use of connectors. FIG. 7.

7. USING THE WALL SWITCH TO CONTROL YOUR TAPE: Power-up your ChromaDim project and test out the Wall Switch. Dimming from 0.1% to 100% is enabled by adjusting the slider on the side of the switch that has the series of dots. You can adjust the warmth of your tape light output by moving the other slider up towards blue for higher Kelvin temperatures, and down towards yellow for a softer, more intimate lighting scenario. FIG. 8.

