

### BEFORE YOU START:

- Please check local electrical codes before beginning
- Turn power off before installing
- Make sure to use proper rated wire

### TOOLS NEEDED:

- Phillips Screwdriver
- Wire Cutter and Stripper

### PLUG IN INSTALLATION (Skip this step if you are using HARDWIRE INSTALLATION):

1. Layout where fixture(s) are to be placed. Remove plastic receptacle cap that covers the INPUT socket where you will plug in power cord. (FIG. 1)

2. Plug-in power cord to the INPUT socket. Do not force, it should plug-in easily. (FIG. 2)

3. Mount fixture to under cabinet or where you plan to locate fixture. Plug power cord into wall outlet. (FIG. 3).

4. Connect multiple fixtures using optional flexible fixture to fixture connectors. Do not exceed max. of 200W per run.

5. Adjust white color (Kelvin) levels.

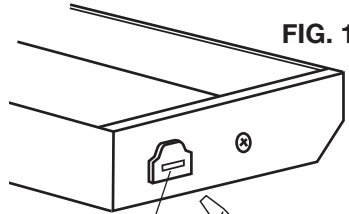


FIG. 1

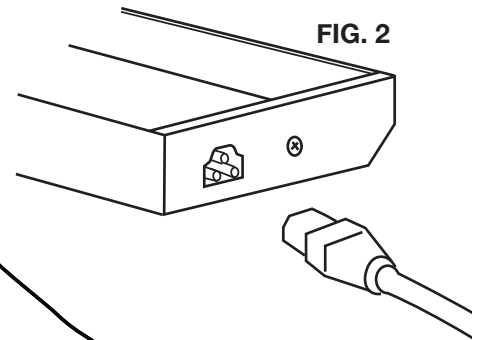
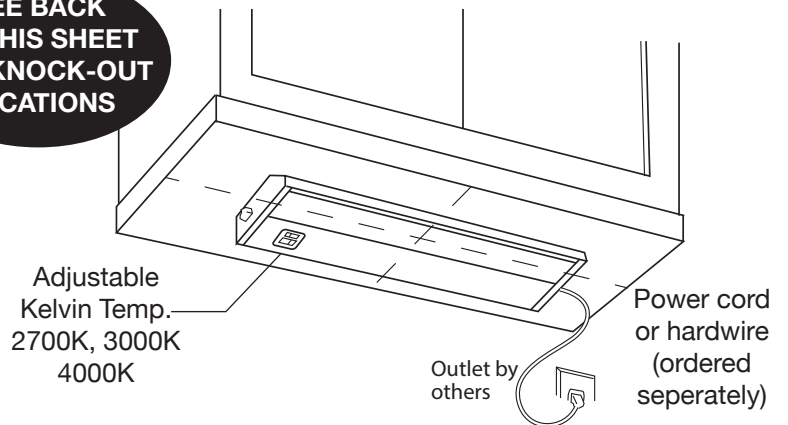


FIG. 2

**CAUTION:**  
Make sure to cover all unused connections before powering up.

**SEE BACK OF THIS SHEET FOR KNOCK-OUT LOCATIONS**

FIG. 3



### HARDWIRE INSTALLATION:

1. Open up wireway cut-out and wiring compartment and pull out 3 modular wire connectors (black, white and green). Modular (push-in) connectors are suitable for #12-24 AWG. Strip back jacket on AC supply wires 3/8" and use Wago® (push-in) connector to connect wires (BLACK to BLACK, WHITE to WHITE, GREEN to GREEN). Please reference FIG. 4.

2. Tuck all wires back into wiring compartment, and re-attach wiring compartment. **WARNING: ENSURE ALL THE WIRES AND CONNECTIONS ARE SEALED PROPERLY INSIDE THE FIXTURE. WITHOUT PINCHING ANY WIRES.** FIG. 5.

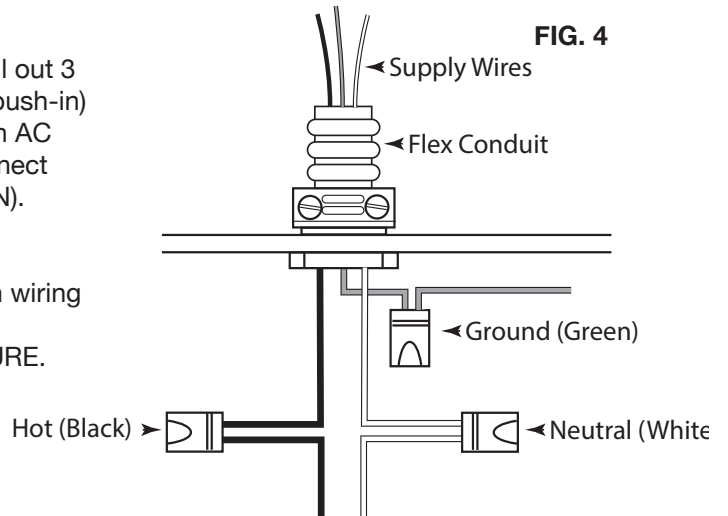
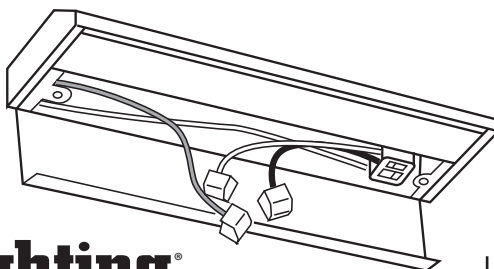


FIG. 4

FIG. 5



# KNOCK-OUT PLACEMENT

This guide will enable power feed placement and aid in mounting fixtures. All measurements are from the left edge of fixture.

