

# ChromaDim™ Downlight

## 24VDC 4" / 6" Tunable Downlight



### PRODUCT OVERVIEW

The ChromaDim downlight is an easy to install recessed mount luminaire with regressed baffle and an integral junction box. Wiring can be done either with included quick connect cables or hard wired leads. These 4" and 6" slim mount, regressed downlights feature superior optics along with a Title 24 rating in a streamlined, shallow mount design.

### FEATURES

- 10 Watts (4"), 15 Watts (6")
- Adjustable color temp. from 2400K to 5000K
- Dimmable with ChromaDim LTR-S-TUN-SYS
- Built-in J Box and sprint clips for easy installation
- Lumens - 4": 600lm
- Lumens - 6": 1000lm
- White finish
- ETL listed

### SPECIFICATIONS

#### ELECTRICAL

- 24VDC
- 10.0W (4"), 15W (6")

#### OPTICS

- 90+ CRI
- 100° beam angle for soft, even distribution
- 600lm (4"), 1000lm (6")

#### COMPLIANCE

- ETL listed for US and Canada
- Title 24 - JA8
- IC Rated

#### WARRANTY

- 5 years

### ORDERING INFORMATION

Example: CHDL-4-WH

Model	-	Size	-	Color
CHDL		4		WH (White)
		6		WH (White)

### ACCESSORIES

Model	Description
CHDL-EXT5	5ft ChromaDim quick connect extension, 3-wire, white
CHDL-EXT10	10ft ChromaDim quick connect extension, 3-wire, white
CHDL-EXT20	20ft ChromaDim quick connect extension, 3-wire, white
CHDL-EXTPF20	20ft ChromaDim quick connect power feed, 3-wire, white
CHDL-UNV-NCP	ChromaDim Universal Mounting Plate for new construction

### CONTROLLERS

Model	Description
LTR-S-TUN-SYS	Tunable White CCT Lighting System; Wall Controller and 96W Driver
LTR-S-TUN-SW	LTR-S-TUN Wall Switch Only
LTR-S-TUN-24V-90W	90W 24V Tunable White Driver; Driver Only
LTR-S-TUN-24V-180W	180W 24V Tunable White Driver; Driver Only

\*Can be controlled with ChromaDim System or LUXcontrol App and Controllers

Project Name	Type
Catalog #	Date



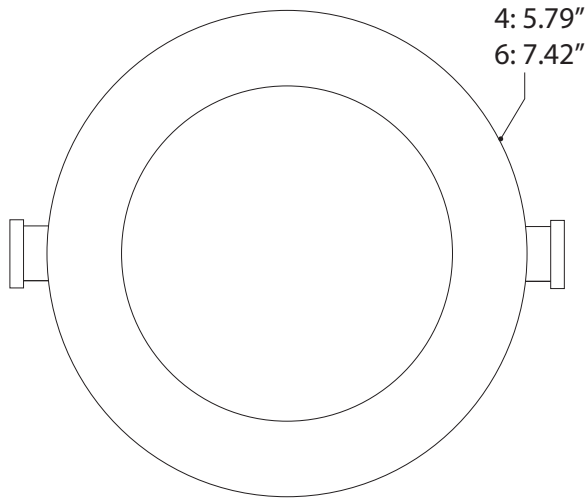
Quick connect or hard wiring for easy installation

# ChromaDim™ Downlight

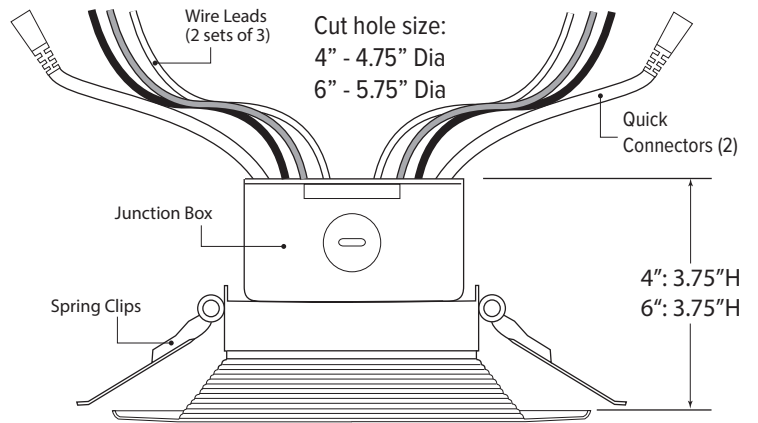
## 24VDC 4" / 6" Tunable Downlight



### DIMENSIONS



Low voltage wiring connections: Input and output leads included to connect multiple fixtures in a run.



### WIRING DIAGRAM

