

Aluminum Mounting Channel

45° Mini Extruded Angled Format Specification Sheet

Project Name	Type
Catalog #	Date

PRODUCT OVERVIEW

GM Lighting's **LED-CHL-45-MINI** is smaller than the **LED-CHL-45** channel for a very low profile fit. This MINI channel accepts select low voltage GM Lighting LED tape using solder connections. These 45° format mounting channels are the perfect vessel to blend with many architectural styles. A distribution at a 45° angle and lens combine to provide a soft, direct light source that minimizes diode imaging.



FEATURES

- 4ft (48in) length
- Available in silver anodized or black finish
- Includes 2 mounting clips and screws
- Includes white acrylic lens
- Black lens option: 25% light transmission
- End caps sold separately
- For select LTR Series Tape - **LTR-P**, **LTR-S** and **LTR-E**

SPECIFICATIONS

ELECTRICAL

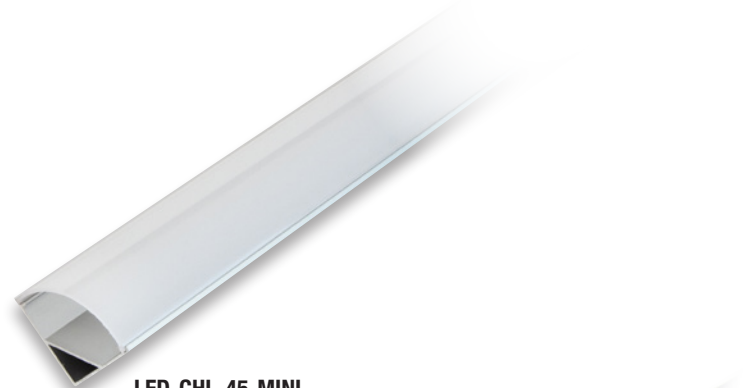
- Fits 12V/24V LEDtask LED tape

WARRANTY

- 5 years

APPLICATIONS

- Ceiling corners
- Vertical corner accent
- Night club (black lens)
- Undercabinet
- Bookcase
- Hospitality



LED-CHL-45-MINI
with White Lens
(included)



LED-CHL-45-MINI-B
with Black Lens (sold separately)
White Lens included.

ORDERING INFORMATION

Example: **LED-CHL-45-MINI-B**

Model	-	-	-	-	Finish
LED	CHL	45	MINI	Blank (Silver)	B (Black)

Catalog No.	Description
LED-CHL-45-MINI	Extruded angled (45°) silver channel. Includes snap-on white lens with (2) mounting clips and (2) screws.
LED-CHL-45-MINI-B	Extruded angled (45°) black channel. Includes snap-on white lens with (2) mounting clips and (2) screws.

ACCESSORIES

Catalog No.	Description
LED-CHL-45-MINI-EC	(2) End caps for LED-CHL-45-MINI : light gray, one solid, one with hole
LED-CHL-45-MINI-EC-B	(2) End caps for LED-CHL-MINI-B : black, one solid, one with hole

Catalog No.	Description
LED-CHL-45-MINI-MC	(2) Mounting clips and (2) screws for LED-CHL-45-MINI
LED-CHL-45-M LENS BK	Lens in black for LED-CHL-45-MINI

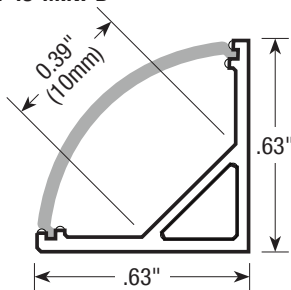
Aluminum Mounting Channel

45° Mini Extruded Angled Format Specification Sheet

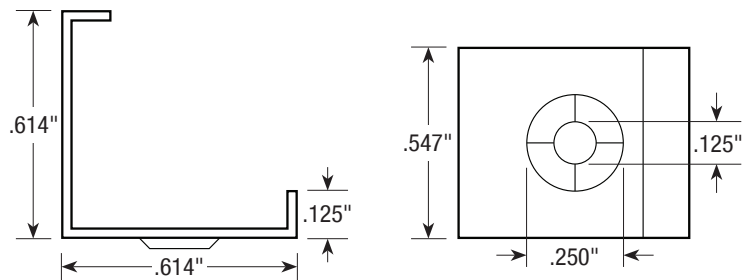
MOUNTING CHANNELS AND ACCESSORIES		LED Tape Compatibility	Channel Notes
Catalog No.	Size	LED Tape Series	Tape Connector
LED-CHL-45-MINI	4'	LTR-P Professional Series	Single channel tape or Tunable tape (2 channel) only Soldered Leads Only Dry Location, (8 to 10mm wide only)
LED-CHL-45-MINI-B	4'	LTR-S Specification Series	
LED-CHL-45-MINI-EC	N/A	LTR-S COB (Chip On Board)	
LED-CHL-45-MINI-EC-B	N/A	LTR-S DTW (Dim to Warm)	
LED-CHL-45-MINI-MC	N/A	LTR-S-TUN (Tunable White)	
LED-CHL-45-M LENS BK	4'	LTR-E Economy Series	

DIMENSIONS

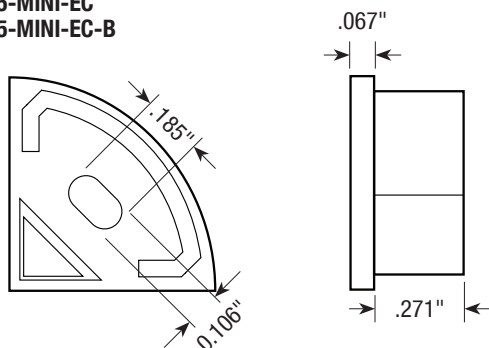
LED-CHL-45-MINI
LED-CHL-45-MINI-B



LED-CHL-45-MINI-MC



LED-CHL-45-MINI-EC
LED-CHL-45-MINI-EC-B



White and Black Lenses

