

# Vision120™

## Easy-Fit Plastic LED Tape Mounting Channels



Project Name	Type
Catalog #	Date



### PRODUCT OVERVIEW

The Easy-Fit plastic channel holds any V120-SO, HO or SHO tape securely in place. Insertion or removal of tape for repositioning is effortless. Made from UV stabilized, clear polycarbonate for durability in various applications. Channels can be mounted with screws or double sided tape for the specific needs of each project. Cut to size on site. V120 Connectors must be outside of this channel.

### FEATURES

- Compatible with all V120 SO, HO, SHO LED tape
- Easy-Fit channel makes V120 easy to install or remove
- UV stabilized for weather resistant use
- Order in 4ft or 6ft sections

### ORDERING INFORMATION

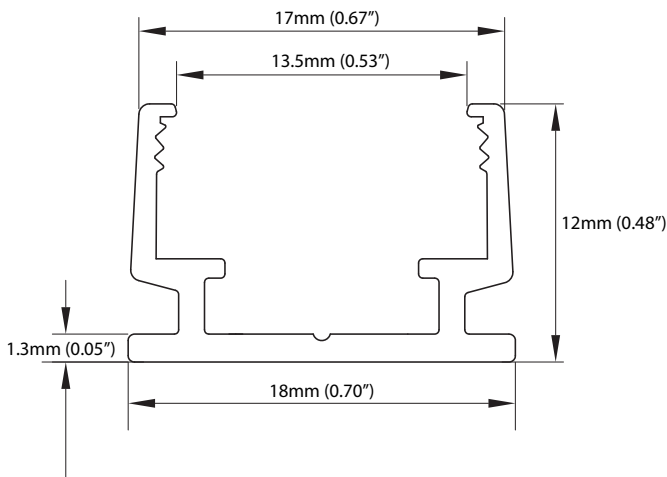
Example: V120-CHL-CPEF-4

Model	Format	Type	Length
V120	CHL	CPEF	4 (4 ft.)
V120	CHL	CPEF	6 (6 ft.)

Vision120 LED Tape in a clear plastic 'Easy-Fit' channel

Mounting option with double sided tape or screws.

### DIMENSIONS



Easy insertion and removal