

LTR-E Economy Series

1.5W, 12VDC and 24VDC LED Tape Specification Sheet



Project Name	Type
Catalog #	Date



PRODUCT OVERVIEW

GM's Economy Series Flexible Tape standardizes our approach to LED linear lighting without sacrificing quality. Field cuttable and available in an assortment of color temps. and colors - LTR-E Series provides an economical solution in an efficient and reliable LED tape. 16'-4" (5M) reels and connectible by GM Lighting Sure-Tite connectors (not included).

FEATURES

- 2700K, 3000K, 3500K, 4000K and Amber, Blue, Green, Red color temps
- Remote control with GM's LUXcontrol™ App and controllers
- Cuttable every 2" (12V & colors)
- Cuttable every 4" (24V)
- 2835 LED diodes
- 60 LED's per meter (18/ft.)
- 120° viewing angle
- Dimmable
- 3M adhesive back
- Maximum run on a given lead is 32'-8"
- Custom lengths available consult factory

SPECIFICATIONS

ELECTRICAL

- 12V/24V
- 1.5 watts per foot

OPTICS

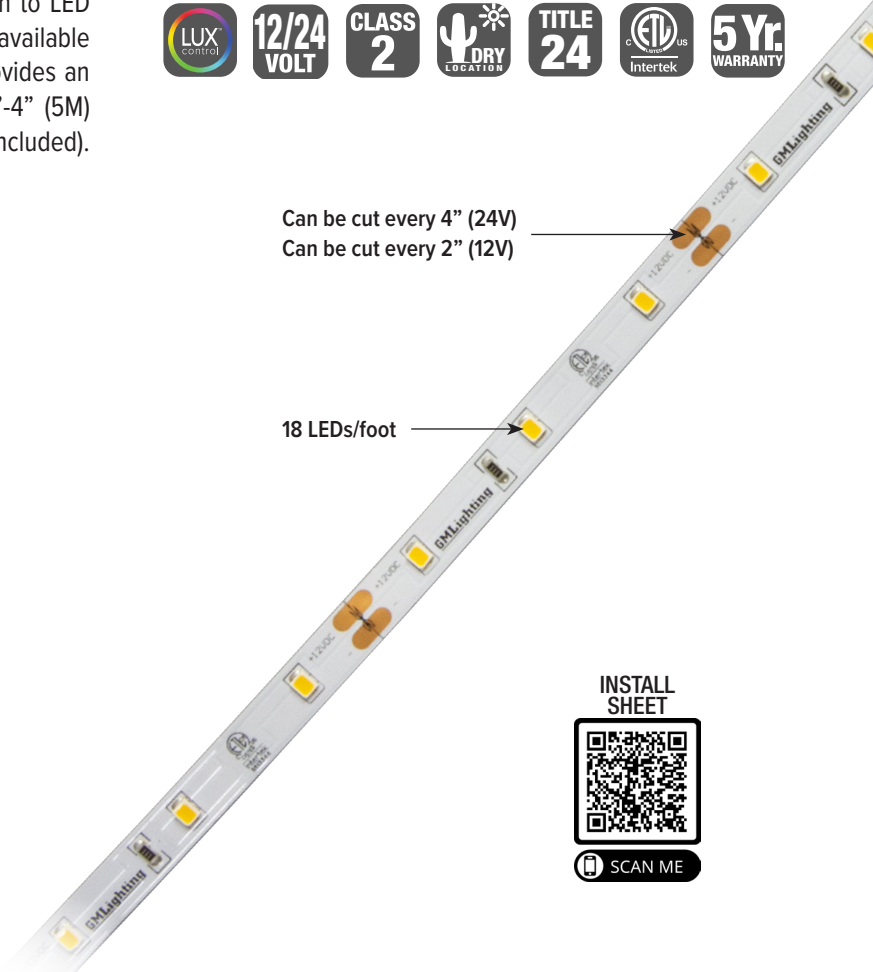
- 80+ CRI
- Amber (590-595nm)
- Blue (460-470nm)
- Green (510-525nm)
- Red (620-630nm)

CERTIFICATION

- ETL
- IP20
- Class 2

WARRANTY

- 5 years when paired with GM power supply



ORDERING INFORMATION

Example: LTR-E-12V-1.5W-27K-16

Model	Series	Voltage	Wattage	Color Temp	Reel Length
LTR	E	12V	1.5W	27K (2700K)	16 (16'-4")
				30K (3000K)	
		24V		35K (3500K)	100 (98'-6")
				40K (4000K)	
LTR	E	12V	1.5W	AM (Amber)	16 (16'-4")
				BL (Blue)	
				GR (Green)	
				RD (Red)	

ACCESSORIES

Model	Description
STC-1	Sure-Tite tape to tape connector
STC-90	Sure-Tite 90° connector
STLK-60	Sure-Tite 60" adjustable tape to tape connector
STW-60	Sure-Tite 60" adjustable tape to power connector
STW-CO	Sure-Tite tape to power supply connector (no wire)

LED Tape Specification Checklist:

1. Select Tape
2. Select Connectors
3. Select Channels
4. Select Controllers or Dimmers
5. Select Power Supplies

LTR-E Economy Series



1.5W, 12VDC and 24VDC LED Tape Specification Sheet

Catalog No.	Length	Lumens	CRI	Color Temp	Max Run
LTR-E-12V-1.5W-27K-16	16'-4" / 5M	127	80+	2700K	32'-8"
LTR-E-12V-1.5W-30K-16	16'-4" / 5M	133	80+	3000K	32'-8"
LTR-E-12V-1.5W-35K-16	16'-4" / 5M	134	80+	3500K	32'-8"
LTR-E-12V-1.5W-40K-16	16'-4" / 5M	149	80+	4000K	32'-8"
LTR-E-12V-1.5W-27K-100	98'-6" / 30M	127	80+	2700K	32'-8"
LTR-E-12V-1.5W-30K-100	98'-6" / 30M	133	80+	3000K	32'-8"
LTR-E-12V-1.5W-35K-100	98'-6" / 30M	134	80+	3500K	32'-8"
LTR-E-12V-1.5W-40K-100	98'-6" / 30M	149	80+	4000K	32'-8"

LTR-E-12V-1.5W-AM-16	16'-4" / 5M	N/A	N/A	Amber	32'-8"
LTR-E-12V-1.5W-BL-16	16'-4" / 5M	N/A	N/A	Blue	32'-8"
LTR-E-12V-1.5W-GR-16	16'-4" / 5M	N/A	N/A	Green	32'-8"
LTR-E-12V-1.5W-RD-16	16'-4" / 5M	N/A	N/A	Red	32'-8"

LTR-E-24V-1.5W-27K-16	16'-4" / 5M	127	80+	2700K	32'-8"
LTR-E-24V-1.5W-30K-16	16'-4" / 5M	133	80+	3000K	32'-8"
LTR-E-24V-1.5W-35K-16	16'-4" / 5M	134	80+	3500K	32'-8"
LTR-E-24V-1.5W-40K-16	16'-4" / 5M	149	80+	4000K	32'-8"
LTR-E-24V-1.5W-27K-100	98'-6" / 30M	127	80+	2700K	32'-8"
LTR-E-24V-1.5W-30K-100	98'-6" / 30M	133	80+	3000K	32'-8"
LTR-E-24V-1.5W-35K-100	98'-6" / 30M	134	80+	3500K	32'-8"
LTR-E-24V-1.5W-40K-100	98'-6" / 30M	149	80+	4000K	32'-8"

Kelvin temperature (color) $\pm 100K$.

16'-4" and 98'-6" reel includes 48" lead affixed to tape. Sure-Tite connectors not included.

COMPATIBLE CONTROLLERS

Model	Description
SHWC	LUXcontrol Smart 2.4 GHz WiFi Controller, Standard 12V/24V Low Voltage, see pages 6-7
SHWD	LUXcontrol Smart 2.4 GHz WiFi Dimmer, Standard 12V/24V Low Voltage, see page 8
SWD-40W-12VDC-DIM	SwitchLD All-in-One Dimmer and Driver, 40W, 12VDC see page 8
SWD-60W-12VDC-DIM	SwitchLD All-in-One Dimmer and Driver, 60W, 12VDC see page 8
SWD-60W-24VDC-DIM	SwitchLD All-in-One Dimmer and Driver, 60W, 24VDC see page 8
SWD-100W-24VDC-DIM	SwitchLD All-in-One Dimmer and Driver, 100W, 24VDC see page 8

LTR-E Economy Series

1.5W, 12VDC and 24VDC LED Tape Specification Sheet

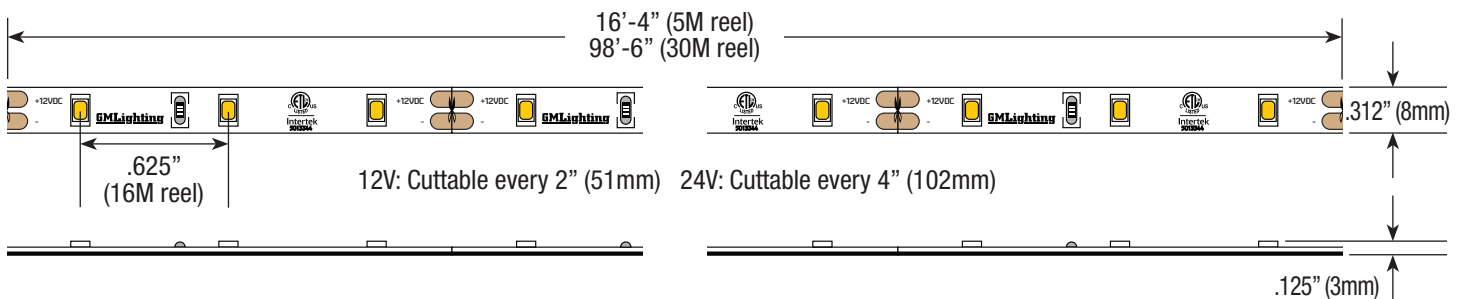


RECOMMENDED DRIVERS

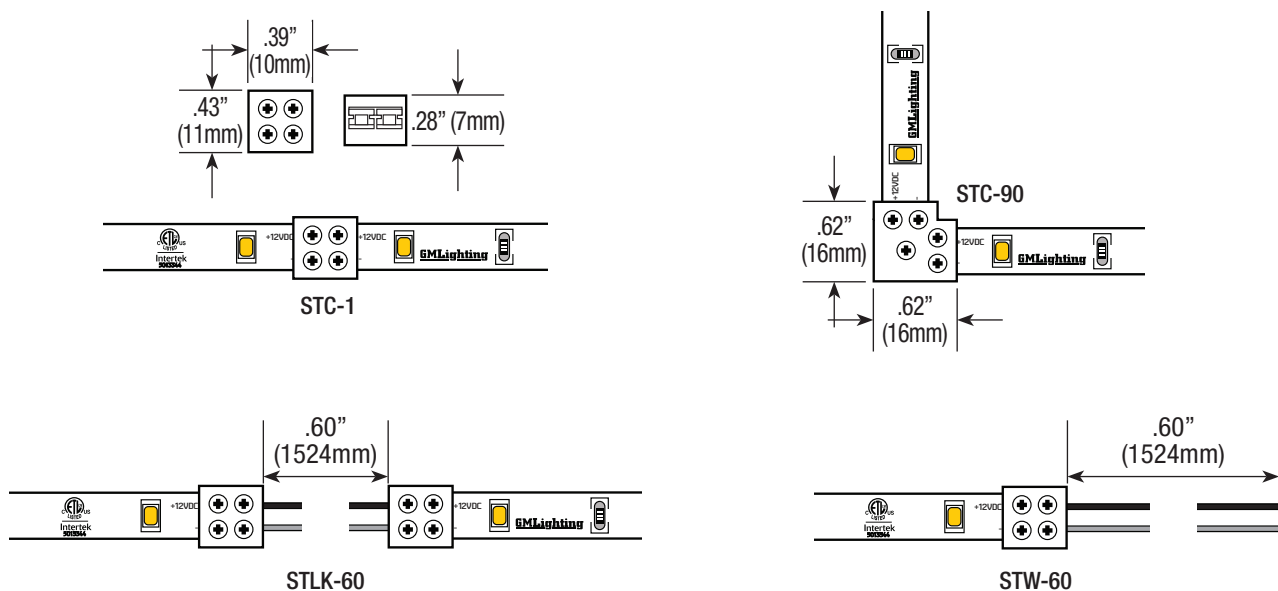
Catalog No.	Description	Watts	Specification Sheet
LD-XD-UNV	LineDrive Electronic Multi-Dimmable Power Supply, 12VDC/24VDC	20W, 40W, 60W, 96W, 180W, 200W, 300W	View Spec Sheet
LD-ED-WP	LineDrive Electronic Dimmable Wet Location Power Supply, 24VDC	30W, 60W, 96W	View Spec Sheet
LD-E-UNV	LineDrive Electronic Non-Dimmable Power Supply, 12VDC/24VDC	30W, 60W, 96W, 200W, 300W	View Spec Sheet
LD-MD-UNV	LineDrive Magnetic Dimmable Power Supply, 12VDC/24VDC	30W, 60W, 96W, 150W, 200W, 300W	View Spec Sheet
LD-EDM	LineDrive Electronic Dimmable MINI Power Supply, 12VDC/24VDC	60W	View Spec Sheet
LTP	Cord and Plug Power Supply, 12VDC/24VDC	25W, 48W, 60W, 90W	View Spec Sheet
PSD	Electronic Dimmable Power Supply, 12VDC/24VDC	15W, 24W, 60W, 90W	View Spec Sheet

NOTE: Please see our website for updated power supply specifications and information.

DIMENSIONS



ST SERIES CONNECTORS



LTR-E Economy Series

1.5W, 12VDC and 24VDC LED Tape Specification Sheet



COMPATIBLE CHANNELS

EXTRA DEEP FORMAT EXTRUDED CHANNEL

Catalog No.	Description	Length	Dimensions
LED-CHL-XD	Includes snap-on frosted lens with mounting clips and screws.	4'	
LED-CHL-XD-6	Includes snap-on frosted lens with mounting clips and screws.	6'	
LED-CHL-XD-AMC	(2) Adjustable mounting brackets for LED-CHL-XD	N/A	
LED-CHL-XD-EC	(2) End caps for LED-CHL-XD, one solid, one with hole	N/A	
LED-CHL-XD-MC	(2) Mounting clips and screws for LED-CHL-XD	N/A	

EXTRA DEEP FORMAT EXTRUDED CHANNEL WITH FLANGE

Catalog No.	Description	Length	Dimensions
LED-CHL-XD-F	Includes snap-on frosted lens with mounting clips and screws.	4'	
LED-CHL-XD-F-6	Includes snap-on frosted lens with mounting clips and screws.	6'	
LED-CHL-XD-F-DC	(2) Drywall mounting brackets for LED-CHL-XD-F	N/A	
LED-CHL-XD-F-EC	(2) End caps for LED-CHL-XD-F, one solid, one with hole	N/A	

MINI DEEP FORMAT EXTRUDED CHANNEL

Catalog No.	Description	Length	Dimensions
LED-CHL-XD-MD	Includes snap-on frosted lens with mounting clips and screws.	4'	
LED-CHL-XD-MD-B	Includes snap-on frosted lens with mounting clips and screws. Black.	4'	
LED-CHL-XD-MD-WH	Includes snap-on frosted lens with mounting clips and screws. White.	4'	
LED-CHL-XD-MD-6	Includes snap-on frosted lens with mounting clips and screws.	6'	
LED-CHL-XD-MD-6-B	Includes snap-on frosted lens with mounting clips and screws. Black.	6'	
LED-CHL-XD-MD-6-WH	Includes snap-on frosted lens with mounting clips and screws. White.	6'	
LED-CHL-XD-MD-AMC	(2) Adjustable mounting brackets for LED-CHL-XD-MD	N/A	
LED-CHL-XD-MD-EC	(2) End caps for LED-CHL-XD-MD. One solid, one with hole.	N/A	
LED-CHL-XD-MD-MC	(2) Mounting clips for LED-CHL-XD-MD	N/A	

MINI DEEP FORMAT EXTRUDED CHANNEL WITH FLANGE

Catalog No.	Description	Length	Dimensions
LED-CHL-XD-MD-F	Includes snap-on frosted lens with mounting clips and screws.	4'	
LED-CHL-XD-MD-F-B	Includes snap-on frosted lens with mounting clips and screws. Black.	4'	
LED-CHL-XD-MD-F-WH	Includes snap-on frosted lens with mounting clips and screws. White.	4'	
LED-CHL-XD-MD-F-6	Includes snap-on frosted lens with mounting clips and screws.	6'	
LED-CHL-XD-MD-F-6-B	Includes snap-on frosted lens with mounting clips and screws. Black.	6'	
LED-CHL-XD-MD-F-6-WH	Includes snap-on frosted lens with mounting clips and screws. White.	6'	
LED-CHL-XD-MD-F-DC	(2) Drywall mounting brackets for LED-CHL-XD-MD-F	N/A	
LED-CHL-XD-MD-F-EC	(2) End caps for LED-CHL-XD-MD-F one solid, one with hole	N/A	

LTR-E Economy Series

1.5W, 12VDC and 24VDC LED Tape Specification Sheet



COMPATIBLE CHANNELS

45° EXTRUDED ANGLED CHANNEL MOUNT

Catalog No.	Description	Length	Dimensions
LED-CHL-45	Includes snap-on frosted lens with mounting clips and screws.	4'	
LED-CHL-45-EC	(2) End caps for LED-CHL-45, one solid, one with hole	N/A	
LED-CHL-45-MC	(2) Mounting clips and screws for LED-CHL-45	N/A	

45° LARGE EXTRUDED ANGLED CHANNEL MOUNT

Catalog No.	Description	Length	Dimensions
LED-CHL-45-1200	Includes snap-on frosted lens with mounting clips and screws.	4'	
LED-CHL-45-1200-EC	(2) End caps for LED-CHL-45-1200, one solid, one with hole	6'	
LED-CHL-45-1200-MC	(2) Drywall mounting brackets for LED-CHL-XD-F	N/A	

WIDE FORMAT EXTRUDED CHANNEL

Catalog No.	Description	Length	Dimensions
LED-CHL-W	Includes snap-on frosted lens with mounting clips and screws.	4'	
LED-CHL-W-6	Includes snap-on frosted lens with mounting clips and screws. Black.	6'	
LED-CHL-W-AMC	(2) Adjustable mounting brackets for LED-CHL-W	N/A	
LED-CHL-W-EC	(2) End caps for LED-CHL-W	N/A	
LED-CHL-W-MC	(2) Additional mounting clips for LED-CHL-W	N/A	

MUD-IN STANDARD EXTRUDED ALUMINUM CHANNEL

Catalog No.	Description	Length	Dimensions
LED-CHL-MI-ST6	Includes snap-on frosted lens.	6'	
LED-CHL-MI-ST-EC	(2) End caps for LED-CHL-MI-ST8, one solid, one with hole.	N/A	

COMPATIBLE CHANNELS - SOLDERED LEADS ONLY

STANDARD STRAIGHT EXTRUDED CHANNEL

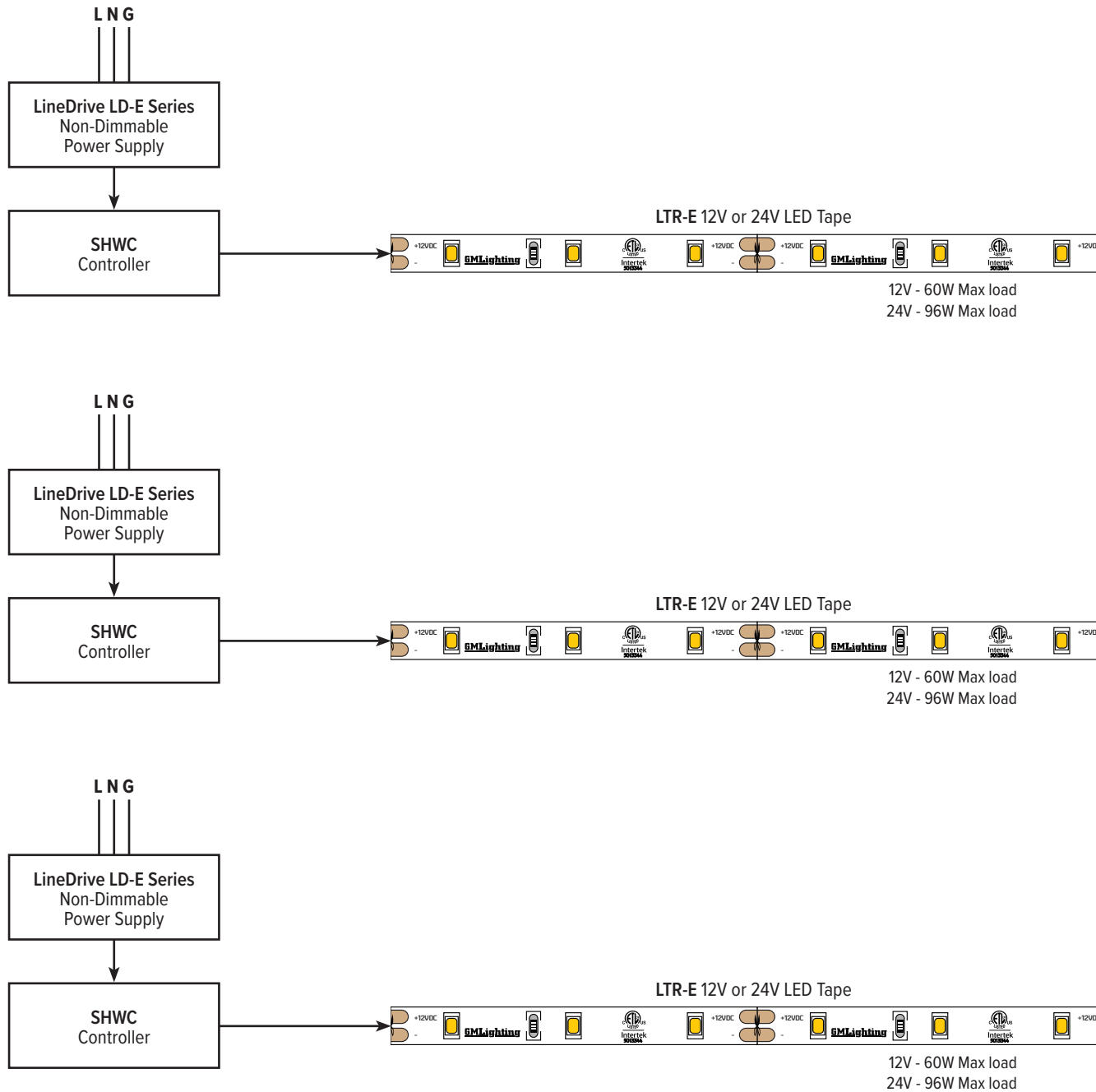
Catalog No.	Description	Length	Dimensions
LED-CHL	Includes snap-on frosted lens with mounting clips and screws.	4'	
LED-CHL-6	Includes snap-on frosted lens with mounting clips and screws.	6'	
LED-CHL-AMC	(2) Additional mounting brackets for LED-CHL	N/A	
LED-CHL-EC	(2) End caps for LED-CHL, one solid, one with hole.	N/A	
LED-CHL-MC	(2) Additional mounting clips for LED-CHL	N/A	

LTR-E Economy Series

1.5W, 12VDC and 24VDC LED Tape Specification Sheet



SHWC LUXCONTROL WIFI CONTROLLER WIRING DIAGRAM



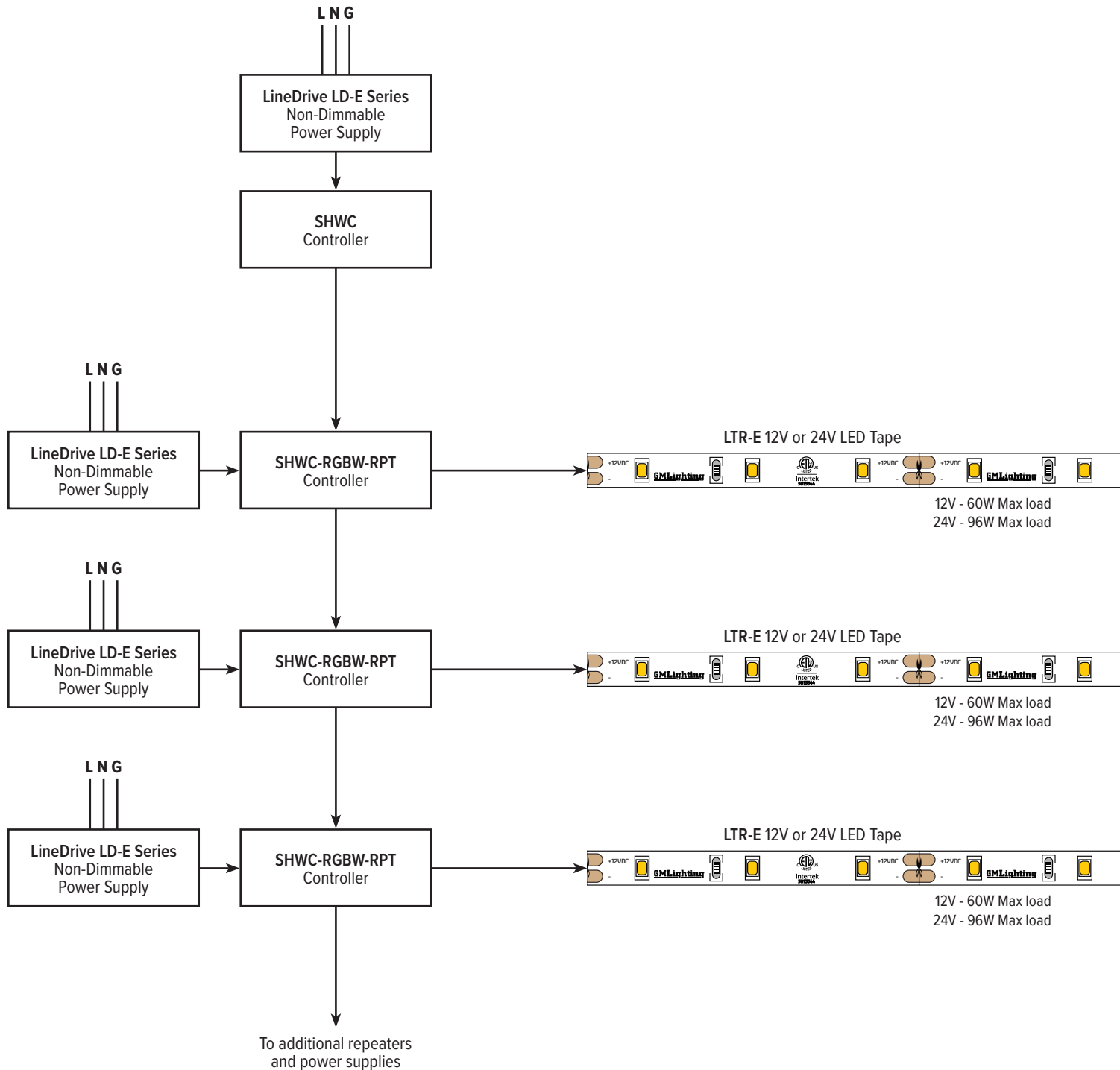
*Group multiple controllers in the LUXCONTROL app

LTR-E Economy Series

1.5W, 12VDC and 24VDC LED Tape Specification Sheet



SHWC LUXCONTROL WIFI CONTROLLER WITH POWER REPEATER WIRING DIAGRAM

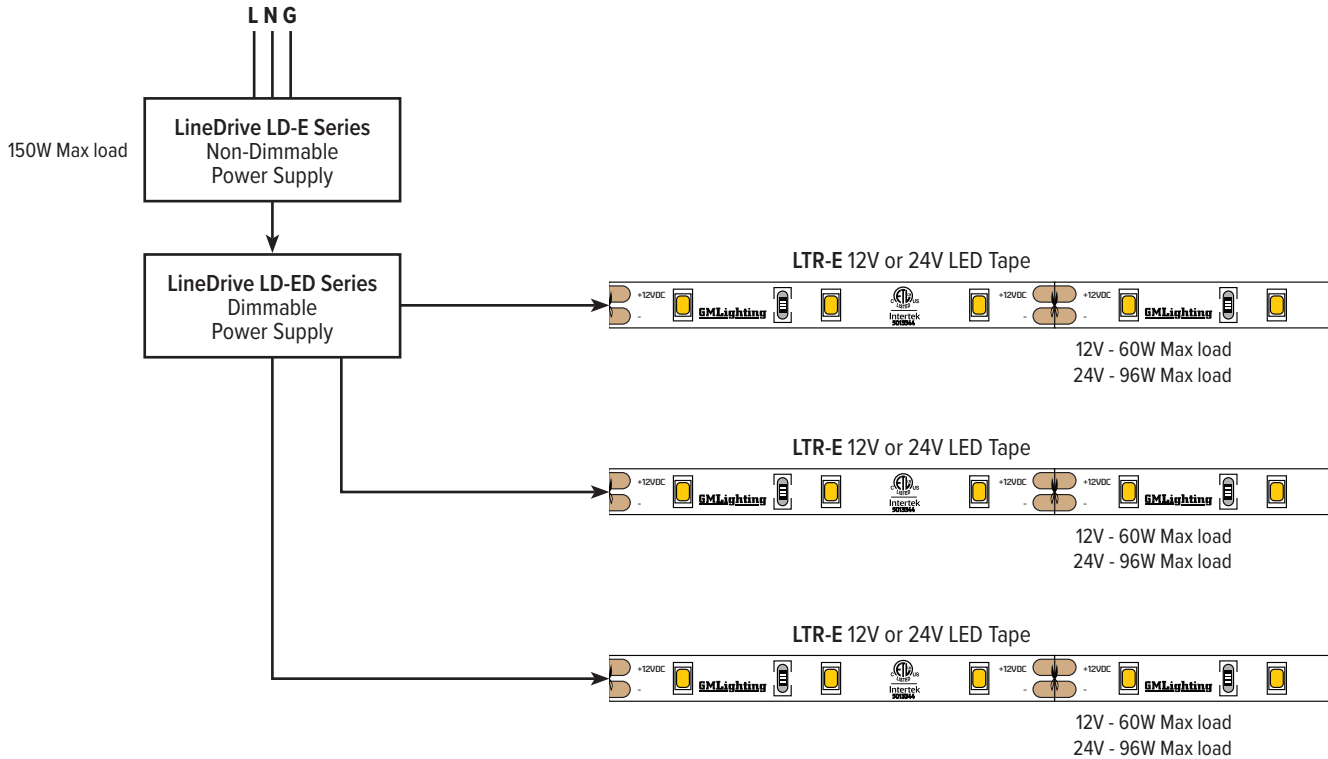


LTR-E Economy Series

1.5W, 12VDC and 24VDC LED Tape Specification Sheet



SHWD LUXCONTROL WIFI DIMMER WIRING DIAGRAM



SWITCHLD SWD DRIVER AND DIMMER

