

LTR-S Specification Series

1.5W / 3W COB (Chip On Board) Wet Location LED Tape Specification Sheet

GM Lighting®

Project Name	Type
--------------	------

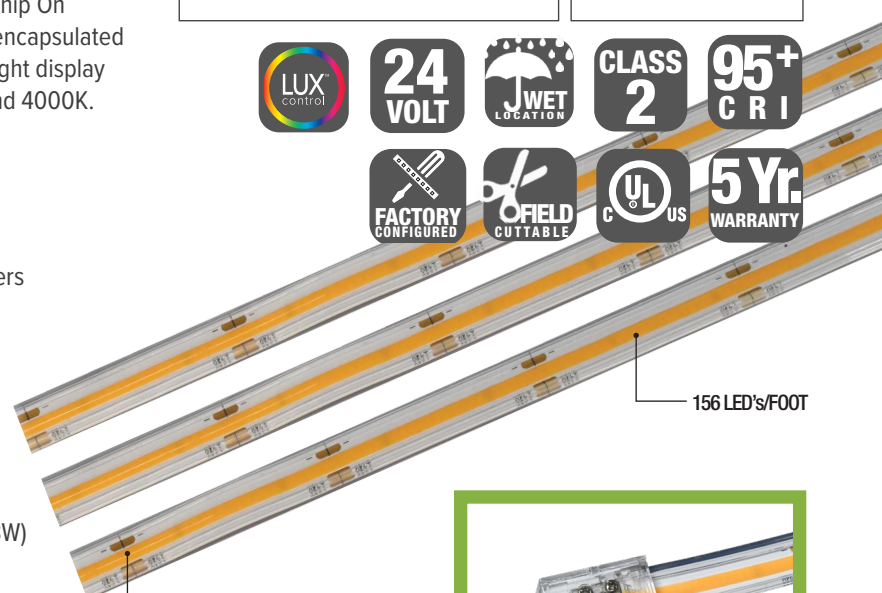
Catalog #	Date
-----------	------

PRODUCT OVERVIEW

The newest addition in the flexible LED tape is the COBWP (Chip On Board - Wet location) technology. Tightly spaced diodes are encapsulated into a single phosphor strip that provides a seamless linear light display with no LED pixelation. Available in 2700K, 3000K, 3500K and 4000K.

FEATURES

- 24VDC
- 2700K, 3000K, 3500K and 4000K color temps
- Remote control with GM's LUXcontrol™ App and controllers (Requires NEMA box)
- Suitable for wet locations, IP65
- 156 LEDs per foot
- Cuttable every 2"
- 180° viewing angle
- Dimmable (ELV or MLV or LUXcontrol)
- 3M adhesive back
- Maximum run on a given lead 32'-8" (1.5W) and 16'-4" (3W)



SPECIFICATIONS

ELECTRICAL

- 24V
- 1.5 / 3 watts per foot

OPTICS

- 95+ CRI

OPERATING TEMP

- -4°F to 122°F

CERTIFICATION

- UL
- IP65
- Title 24 compliant when used with specific drivers. Consult factory.

WARRANTY

- 5-year warranty when paired with GM power supply.

CAN BE CUT EVERY 2"



ORDERING INFORMATION

Example: LTR-S-COBWP-24V-3.0W-27K-FT

Model	Series	Type	Location	Voltage	Wattage/ft	Color Temp	Length
LTR	S	COB	WP	24V	1.5W	27K	FT
					3.0W	30K	
						3.0W	35K
					3.0W		40K

NOTE: Compatible with LED-CHL-XD series channels.
Reel Length: 32 = 32'-8"; Custom cuts available, consult factory

ACCESSORIES

Model	Description
LTR-P-WP-TTC-3	3" Tape to tape connector, UV sealed
LTR-P-WP-TTC-6	6" Tape to tape connector, UV sealed
LTR-P-WP-TTC-12	12" Tape to tape connector, UV sealed
LTR-P-WP-TTC-24	24" Tape to tape connector, UV sealed
LTR-P-WP-TPC-12	12 ft. power lead

Your LED Tape Specification Checklist:

1. Select Tape
2. Select Connectors
3. Select Channels
4. Select Controllers or Dimmers
5. Select Power Supplies

Install Sheet



LTR-S Specification Series

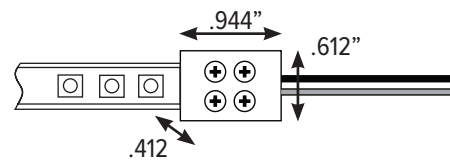
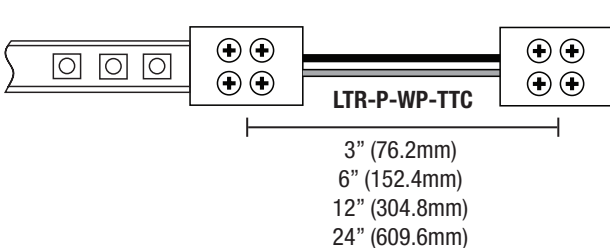
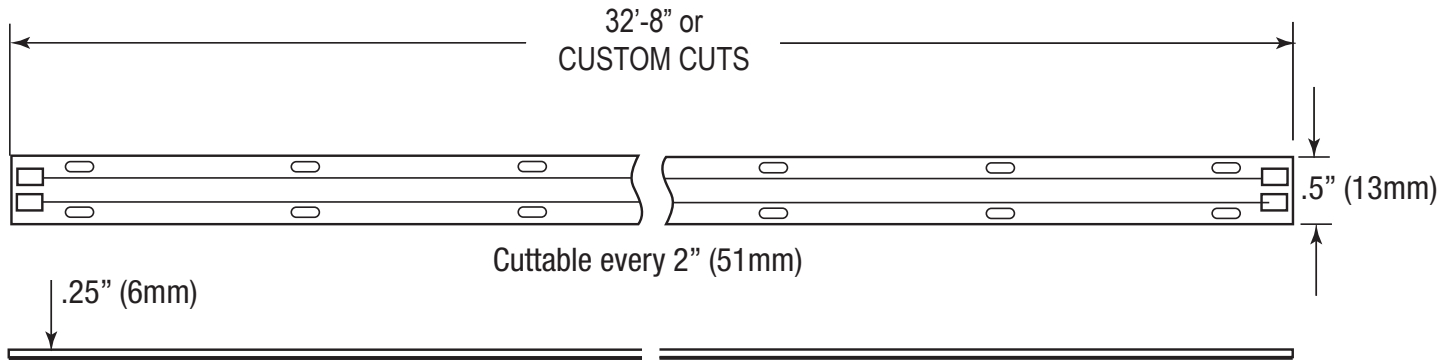
1.5W / 3W COB (Chip On Board) Wet Location LED Tape Specification Sheet



Catalog No.	Length	Lumens	CRI	Color Temp.	Max. Run
LTR-S-COBWP-24V-1.5W-27K-FT/-32	32'-8" or, CUSTOM CUT FEET-INCHES (CUTS MADE IN 2" INCREMENTS)	127	95+	2700K	32'-8"
LTR-S-COBWP-24V-1.5W-30K-FT/-32		127	95+	3000K	32'-8"
LTR-S-COBWP-24V-1.5W-35K-FT/-32		127	95+	3500K	32'-8"
LTR-S-COBWP-24V-1.5W-40K-FT/-32		142	95+	4000K	32'-8"
LTR-S-COBWP-24V-3.0W-27K-FT/-32		255	95+	2700K	16'-4"
LTR-S-COBWP-24V-3.0W-30K-FT/-32		265	95+	3000K	16'-4"
LTR-S-COBWP-24V-3.0W-35K-FT/-32		275	95+	3500K	16'-4"
LTR-S-COBWP-24V-3.0W-40K-FT/-32		285	95+	4000K	16'-4"

Includes 48" lead. Custom leads available - consult factory.
Kelvin temperature (color) ±100K.

DIMENSIONS



LTR-P-WP
Wet Location
Connector

LTR-S Specification Series

1.5W / 3W COB (Chip On Board) Wet Location LED Tape Specification Sheet

COMPATIBLE CONTROLLERS

Model	Description
SHWC	LUXcontrol Smart 2.4 GHz WiFi Controller, Standard 12V/24V Low Voltage, see page 4-5
SHWD	LUXcontrol Smart 2.4 GHz WiFi Dimmer, Standard 12V/24V Low Voltage, see page 6
SWD-60W-24VDC-DIM	SwitchLD All-in-One Dimmer and Driver, 60W, 24VDC see page 6
SWD-100W-24VDC-DIM	SwitchLD All-in-One Dimmer and Driver, 100W, 24VDC see page 6

Note: For wet location applications, use NEMA box (by others)

RECOMMENDED DRIVERS

Catalog No.	Description	Watts	Specification Sheet
LD-ED-UNV	LineDrive Electronic Dimmable Power Supply, 12VDC or 24VDC	20W, 40W, 60W, 96W, 150W, 200W, 300W	View Spec Sheet
LD-E-UNV	LineDrive Electronic Non-Dimmable Power Supply, 12VDC or 24VDC	30W, 60W, 96W, 200W, 300W	View Spec Sheet
LD-MD-UNV	LineDrive Magnetic Dimmable Power Supply, 12VDC or 24VDC	30W, 60W, 96W, 150W, 200W, 300W	View Spec Sheet
LD-EDM	LineDrive Electronic Dimmable MINI Power Supply, 12VDC or 24VDC	60W	View Spec Sheet
LD-ED010	LineDrive Electronic Dimmable 0-10V Power Supply, 12VDC or 24VDC	60W, 96W	View Spec Sheet
LTP	Cord and Plug Power Supply, 12VDC or 24VDC	25W, 48W, 60W, 90W	View Spec Sheet
PSD	Electronic Dimmable Power Supply, 12VDC or 24VDC	15W, 24W, 60W, 90W	View Spec Sheet

Please see our website for updated power supply specifications and information.

COMPATIBLE CHANNELS - (fit connectors on pg. 1)

EXTRA DEEP

Catalog No.	Description	Length	Dimensions
LED-CHL-XD	Extra deep format extruded channel. Includes snap-on frosted lens with mounting clips and screws.	4'	
LED-CHL-XD-8	Extra deep format extruded channel. Includes snap-on frosted lens with mounting clips and screws.	8'	
LED-CHL-XD-AMC	(2) Adjustable mounting brackets for LED-CHL-XD	N/A	
LED-CHL-XD-EC	(2) End caps for LED-CHL-XD. One solid, one with hole.	N/A	
LED-CHL-XD-MC	(2) Mounting clips and screws for LED-CHL-XD	N/A	

EXTRA DEEP FLANGED

LED-CHL-XD-F	Extra deep format extruded channel with flange. Includes snap-on frosted lens with mounting clips and screws.	4'	
LED-CHL-XD-F-8	Extra deep format extruded channel with flange. Includes snap-on frosted lens with mounting clips and screws.	8'	
LED-CHL-XD-F-DC	(2) Drywall mounting brackets for LED-CHL-XD-F	N/A	
LED-CHL-XD-F-EC	(2) End caps for LED-CHL-XD-F. One solid, one with hole.	N/A	

45° LARGE ANGLE MOUNT

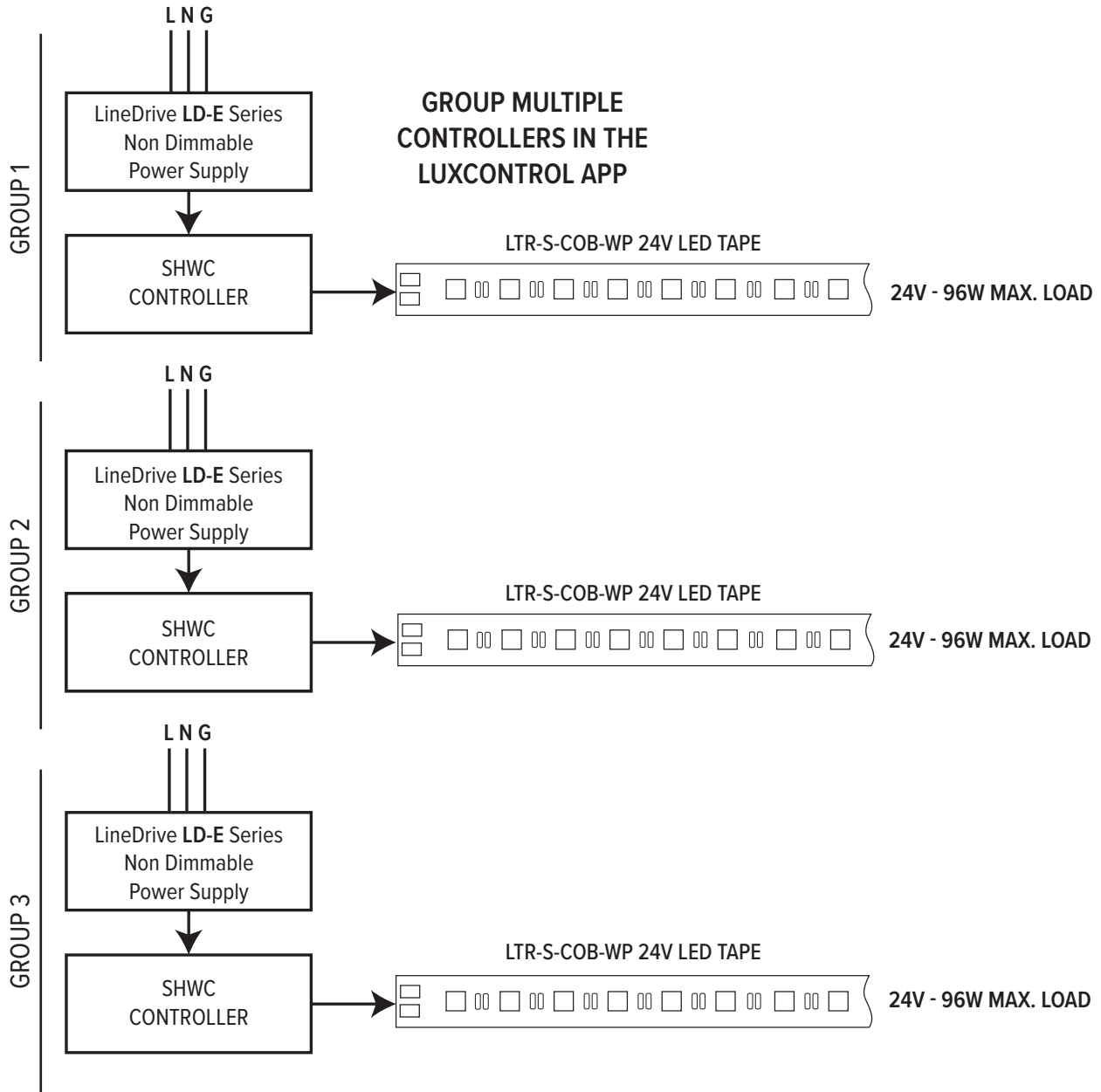
LED-CHL-45-1200	Extruded angled (45°) channel. Includes snap-on frosted lens with mounting clips and screws.	4'	
LED-CHL-45-1200-EC	(2) End caps for LED-CHL-45 - one solid, one with hole	N/A	
LED-CHL-45-1200-MC	(2) Additional mounting clips for LED-CHL-45-1200	N/A	

LTR-S Specification Series

1.5W / 3W COB (Chip On Board) Wet Location LED Tape Specification Sheet



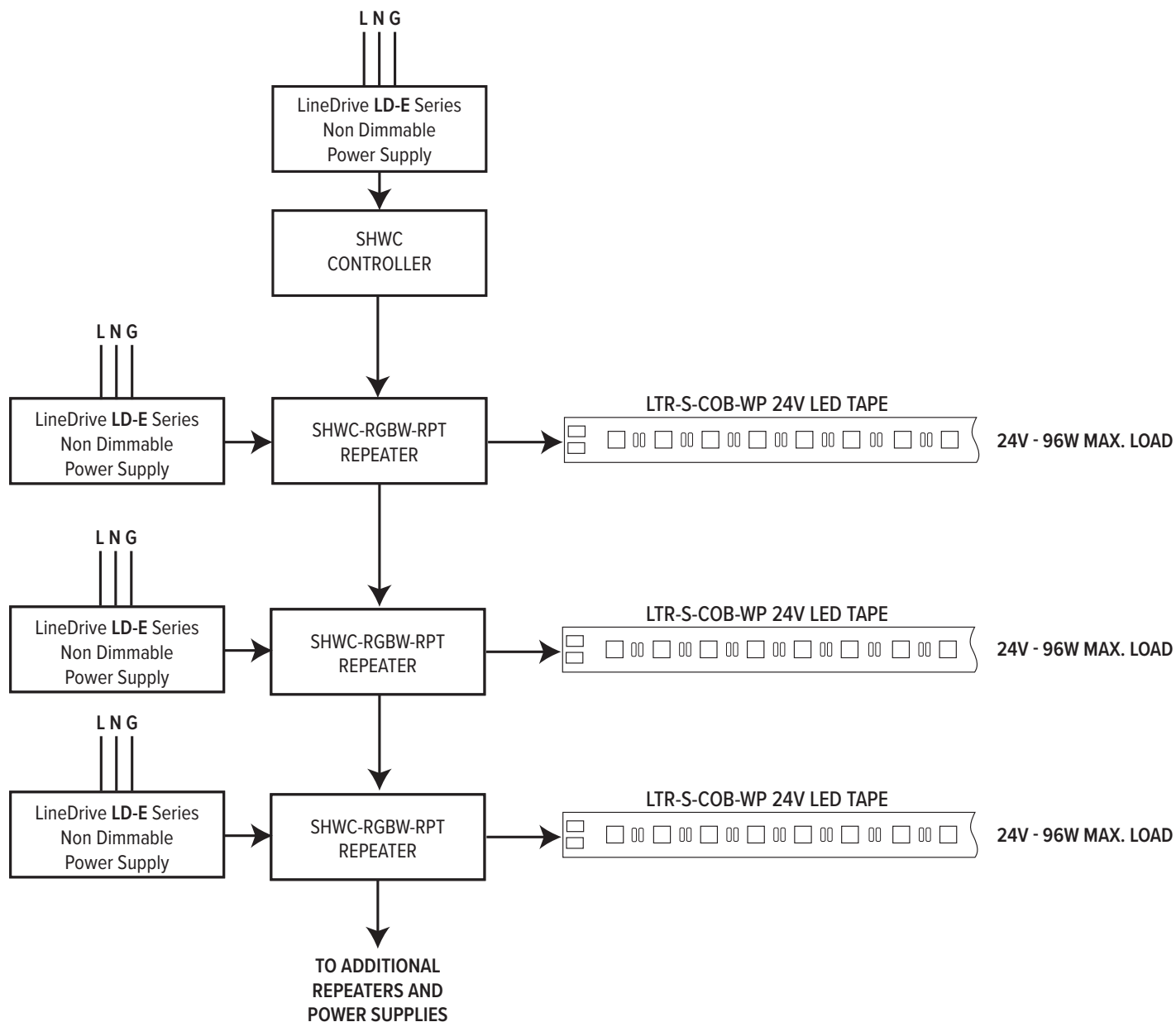
SHWC LUXCONTROL WIFI CONTROLLER



LTR-S Specification Series

1.5W / 3W COB (Chip On Board) Wet Location LED Tape Specification Sheet

SHWC LUXCONTROL WIFI CONTROLLER WITH POWER REPEATER

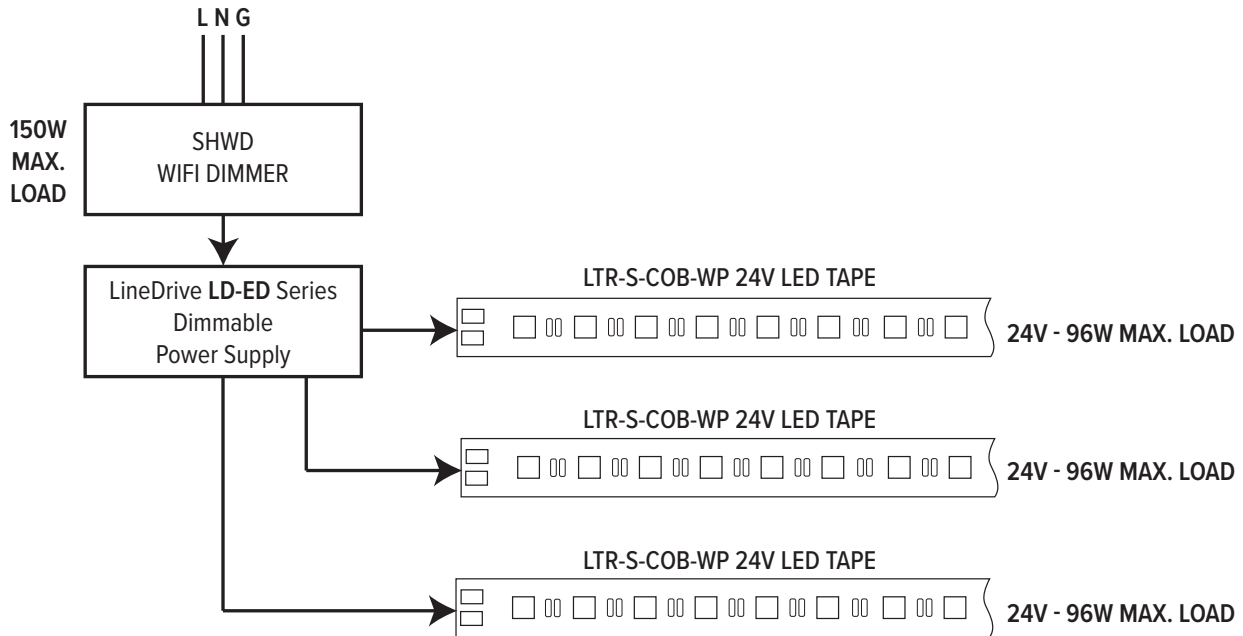


LTR-S Specification Series

1.5W / 3W COB (Chip On Board) Wet Location LED Tape Specification Sheet



SHWD LUXCONTROL WIFI DIMMER



SWITCHLD SWD DRIVER AND DIMMER

