

MicroTask 3

5CCT 120V Mini IC Rated Round / Square Deep Regressed LED Downlight

PRODUCT OVERVIEW

Excellent color rendition and high lumens in a mini-downlight. Title 24 certified and IC rated with 5CCT choices in one unit to meet many application needs. Nominal 3" round or square trims have low glare for visual comfort. Fixtures feature a power supply with integrated junction box and connectors for easy installation. Perfect for downlight and accent light applications. White or black finish. Extension cords with modular connectors allows for convenient location of junction box.

FEATURES

- Dimmable (Triac, ELV)
- 5CCT selectable
- 90+ CRI
- IC rated
- LUXcontrol App compatible when installed with SHWD
- Snap-in spring clip installation
- ETL, Title 24 and Energy Star
- Suitable for damp location

SPECIFICATIONS

ELECTRICAL

- 120VAC - 60Hz
- 8W
- PF >0.90

ENVIRONMENTAL

- Ambient temp. rating -4°F~104°F (-20~40°C).

PHOTOMETRICS

- 5CCT selection switch
- 38° beam angle

CERTIFICATIONS

- ETL (for US and Canada)
- Title 24 - JA8
- Energy Star
- Wet location (covered ceiling only)

WARRANTY

- 5 years

ORDERING INFORMATION

Model	-	Color Temp.	-	Finish
MDL-3R (Round)		5CCT		WH (WHITE) BK (BLACK)
MDL-3S (Square)				

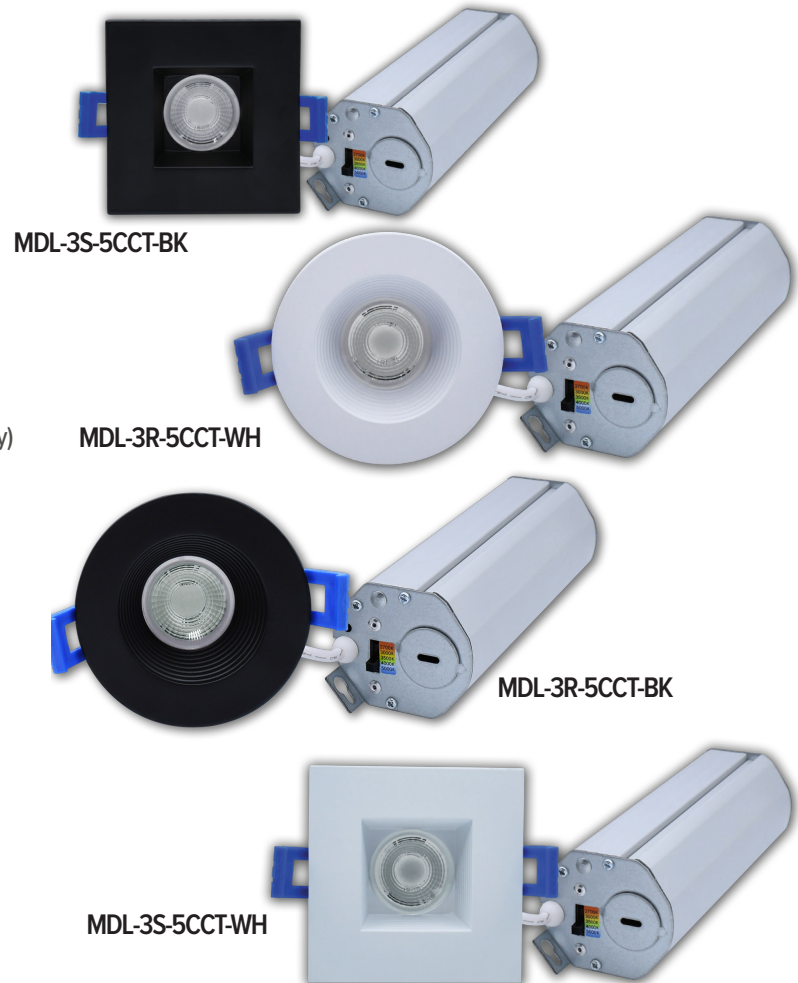
Ordering Example: **MDL-3R-5CCT-BK**

CONNECTORS AND ACCESSORIES

Catalog No.	Description
RSD-TUN-5FT-EXT	5' EXTENSION CORD FOR MDL SERIES DOWNLIGHTS
RSD-TUN-10FT-EXT	10' EXTENSION CORD FOR MDL SERIES DOWNLIGHTS
RSD-TUN-20FT-EXT	20' EXTENSION CORD FOR MDL SERIES DOWNLIGHTS
UNV-NCP	NEW CONSTRUCTION PLATE FOR ALL MDL SERIES DOWNLIGHTS
SHWD	SMART 2.4 WiFi DIMMER, 120V, WHITE (with LUX App)

GM Lighting®

Project Name	Type
Catalog #	Date



MicroTask 3

5CCT 120V Mini IC Rated Round / Square Deep Regressed LED Downlight

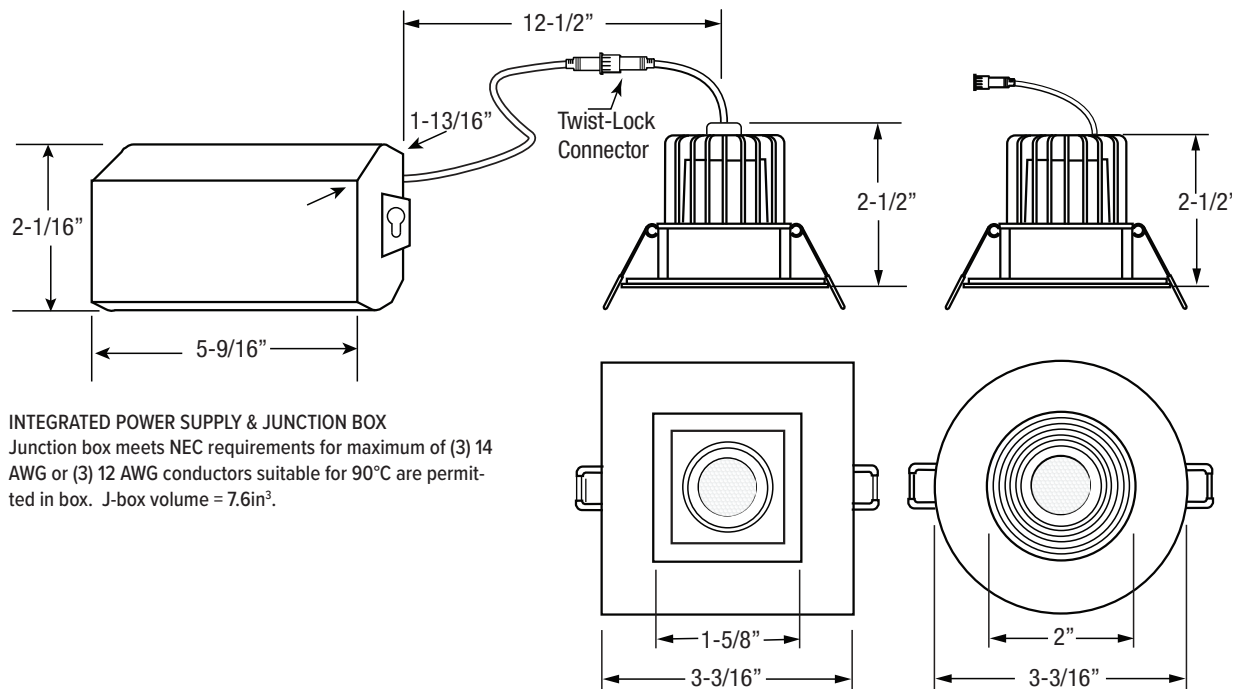


FIXTURE LUMENS

MODEL	2700K	3000K	3500K	4000K	5000K
MDL-3R-5CCT-WH MDL-3S-5CCT-WH	500	535	585	610	630
LUMEN FACTOR	0.93	1.00	1.09	1.14	1.18
MDL-3R-5CCT-BK MDL-3S-5CCT-BK	455	485	525	540	550
LUMEN FACTOR	0.94	1.00	1.08	1.11	1.13

NOTE: When using 3000K ies files, use Lumen Factor to get Lumen values for other Color Temperatures (CCT)
Example: MDL-3R-5CCT-WH, 535lm x 1.14 = 610lm at 4000K

PRODUCT DIAGRAM



Hole cut-out size for installation
of fixture and junction box.

