

MicroTask 4

5CCT 120V Mini IC Rated Round / Square Deep Regressed LED Downlight



Project Name	Type
Catalog #	Date

PRODUCT OVERVIEW

Excellent color rendition and high lumens in a mini-downlight. Title 24 certified and IC rated with 5CCT choices in one unit to meet many application needs. Nominal 4" round or square trims have low glare for visual comfort. Fixtures feature a power supply with intergrated junction box and connectors for easy installation. Perfect for downlight and accent light applications. White or black finish. Extension cords with modular connectors allows for convenient location of junction box.



FEATURES

- Dimmable (Triac, ELV)
- 5CCT selectable
- 90+ CRI
- IC rated
- LUXcontrol App compatible when installed with SHWD
- Snap-in spring clip installation
- ETL and Title 24
- Suitable for damp location

SPECIFICATIONS

ELECTRICAL

- 120VAC - 60Hz
- 15W

ENVIRONMENTAL

- Ambient temp. rating -4°F~104°F (-20~40°C)
- Wet location (covered ceiling only)

PHOTOMETRICS

- 5CCT selection switch
- 38° beam angle

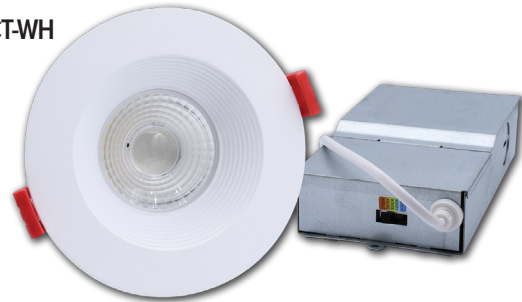
CERTIFICATIONS

- ETL (for US and Canada)
- Title 24 - JA8

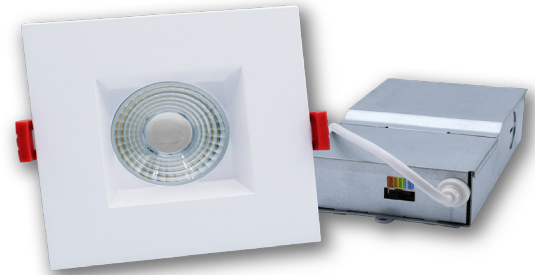
WARRANTY

- 5 years

MDL-4R-5CCT-WH



MDL-4S-5CCT-WH



MDL-4S-5CCT-BK



MDL-4R-5CCT-BK



ORDERING INFORMATION

Example: MDL-4R-5CCT-BK

Model	Color Temp.	Finish
MDL-4R (Round)	5CCT	WH (WHITE)
MDL-4S (Square)		BK (BLACK)

CONNECTORS AND ACCESSORIES

Catalog No.	Description
RSD-TUN-5FT-EXT	5' EXTENSION CORD FOR MDL SERIES DOWNLIGHTS
RSD-TUN-10FT-EXT	10' EXTENSION CORD FOR MDL SERIES DOWNLIGHTS
RSD-TUN-20FT-EXT	20' EXTENSION CORD FOR MDL SERIES DOWNLIGHTS
UNV-NCP	NEW CONSTRUCTION PLATE FOR ALL MDL SERIES DOWNLIGHTS
SHWD	SMART 2.4 WiFi DIMMER, 120V, WHITE (with LUX App)

MicroTask 4

5CCT 120V Mini IC Rated Round / Square Deep Regressed LED Downlight

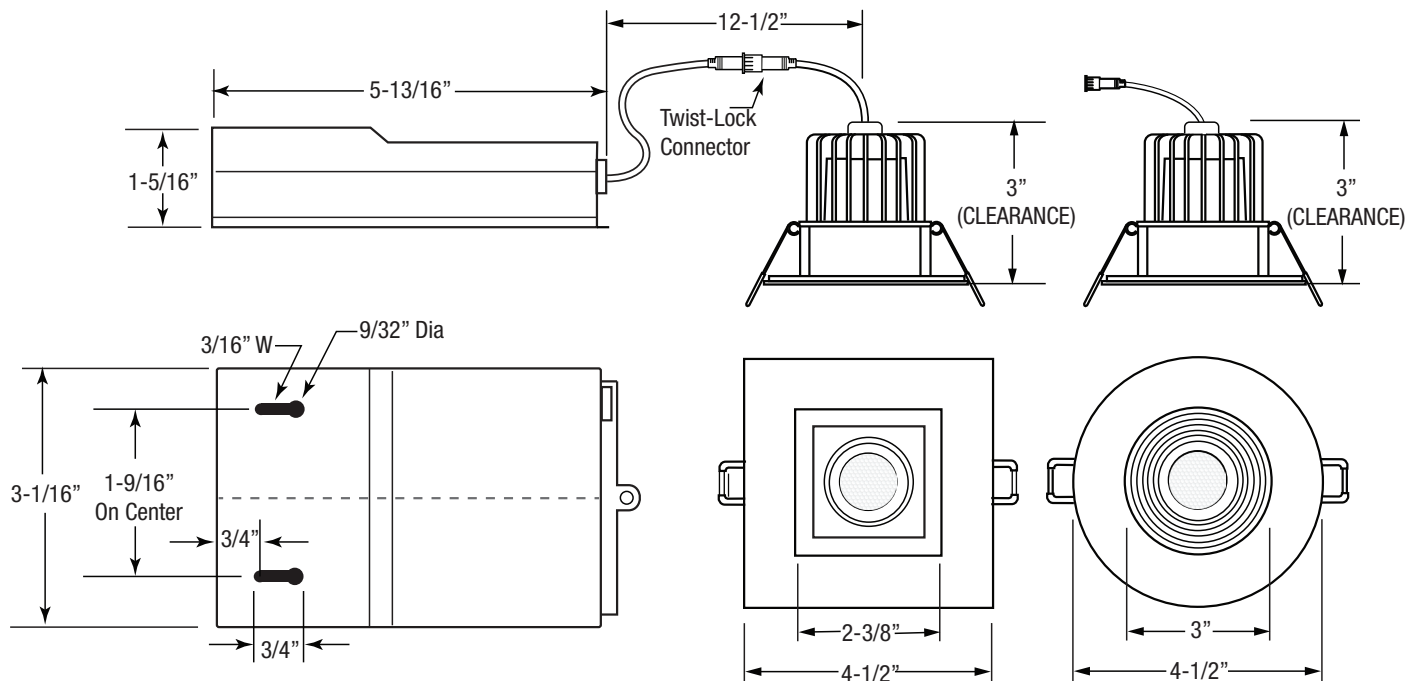


FIXTURE LUMENS

MODEL	2700K	3000K	3500K	4000K	5000K
MDL-4R-5CCT-WH MDL-4S-5CCT-WH	865	950	1045	1080	1050
LUMEN FACTOR	0.91	1.00	1.10	1.14	1.11
MDL-4R-5CCT-BK MDL-4S-5CCT-BK	795	875	955	985	960
LUMEN FACTOR	0.91	1.00	1.09	1.13	1.10

NOTE: When using 3000K ies files, use Lumen Factor to get Lumen values for other Color Temperatures (CCT)
Example: MDL-4R-5CCT-WH, 950lm x 1.14 = 1083lm at 4000K

PRODUCT DIAGRAM



INTEGRATED POWER SUPPLY & JUNCTION BOX
Junction box meets NEC requirements for maximum of (5) 14 AWG or (5) 12 AWG conductors suitable for 90°C are permitted in box.
J-box volume = 11.25 in³.

Hole cut-out size for installation of fixture and junction box.

