

120V Selectable MiniTask

1" and 2" Round and Square Recessed LED Downlights

GM Lighting®

PRODUCT OVERVIEW

Low profile recessed MiniTask downlights with selectable 5CCT and 90+ CRI light source. Available in 1" and 2", round or square in white or black color. The fixture is fully dimmable. Quick to install. Small ceiling footprint for a clean look. Power supply integrated into included wiring box. No separate power supply required.

FEATURES

- 120V
- 5CCT selectable switch
- Dimmable ELV
- 38° beam angle
- 90+ CRI
- 1" module - up to 500lm, 2" module up to 1100lm
- Square and round trim styles
- Black and white finishes
- Damp location, IP54 (indoor only)
- Wet location, indoor covered ceiling
- IC Rated for insulated ceiling spaces

SPECIFICATIONS

ELECTRICAL

- 7W (1")
- 15W (2")
- 120V (includes wiring box)
- PF: >0.90

PHOTOMETRIC

- Selectable switch
2700K/3000K/3500K/4000K/5000K
- 90+ CRI

CERTIFICATION

- ETL listed (US & Canada)
- Title24/JA8
- IC rated

OPERATING TEMP

- -4°F to 104°F

WARRANTY

- 5 years

Project Name	Type
--------------	------

Catalog #	Date
-----------	------



ORDERING INFORMATION

Example: MTR1-5CCT-W

Model	Format	Size	Color Temp	Finish
MT (MiniTask)	R (Round)	1"	5CCT (Selectable Switch)	W (White)
	S (Square)	2"		B (Black)

ACCESSORIES

Model	Description
CHDL-UNV-NCP	Universal new construction mounting plate
RSD-TUN-5FT-EXT	5' extension cord for RSD Series Downlights
RSD-TUN-10FT-EXT	10' extension cord for RSD Series Downlights
RSD-TUN-20FT-EXT	20' extension cord for RSD Series Downlights

LUMEN TABLE

Model	2700K	3000K	3500K	4000K	5000K
MTR1-5CCT-W/B MTS1-5CCT-W/B	430lm	465lm	495lm	500lm	475lm
Lumen Factor	0.92	1.00	1.06	1.08	1.02
MTR2-5CCT-W/B MTS2-5CCT-W/B	915lm	975lm	1075lm	1110lm	1020lm
Lumen Factor	0.94	1.00	1.10	1.14	1.05

NOTE: IES files available in 3000K. Download from product page on website. If needed, use lumen factors to scale output to other color temperatures.

120V Selectable MiniTask



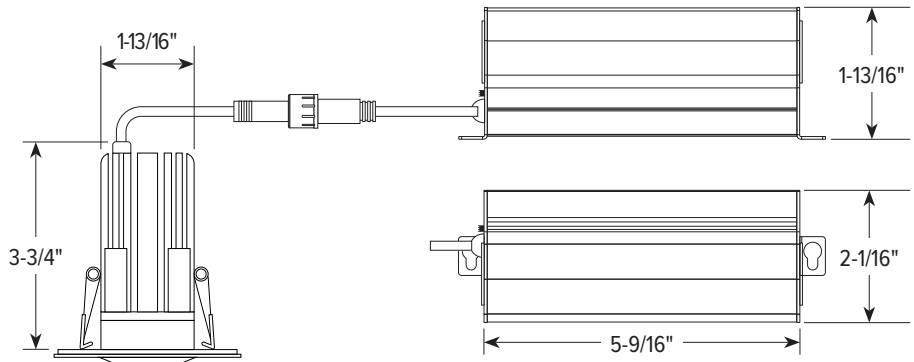
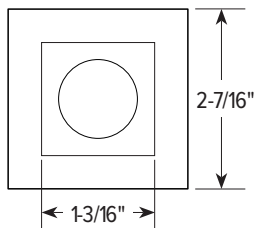
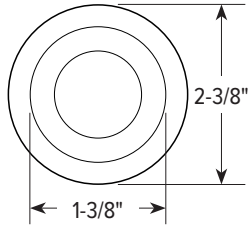
1" and 2" Round and Square Recessed LED Downlights

DIMENSIONS

1" MiniTask Round / Square

Ceiling cutout size for hole

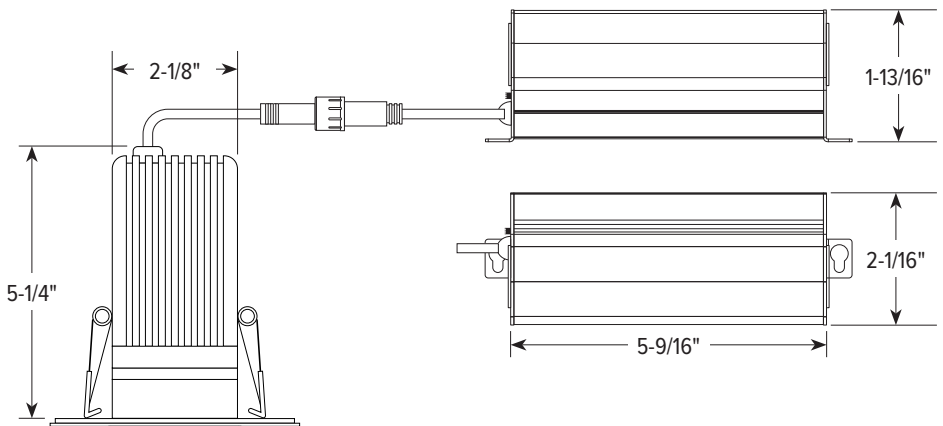
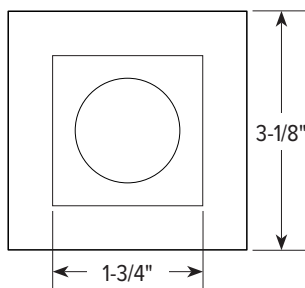
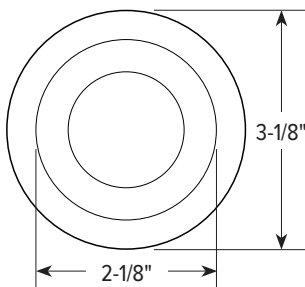
1" Round Fixed Downlight:
Ø2-1/8" (54mm) round



2" MiniTask Round / Square

Ceiling cutout size for hole

2" Round Fixed Downlight:
Ø2-5/8" (67mm) round

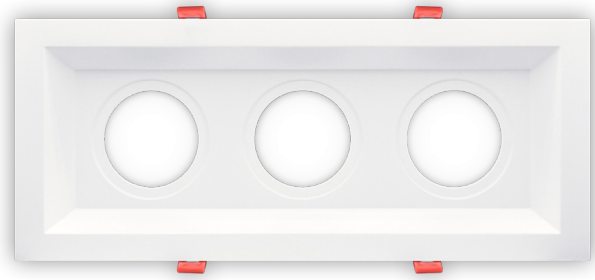


120V Selectable MiniTask

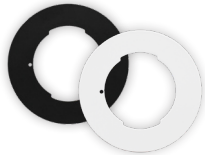
1" and 2" Round and Square Recessed LED Downlights



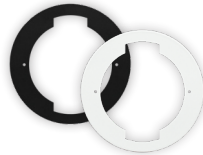
RMP-3-B (Shown with Fixed Lights installed)



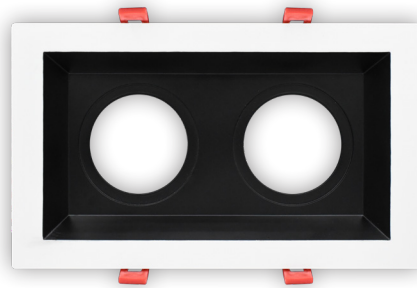
RMP-3-WH



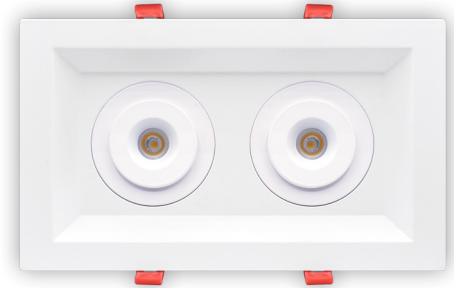
RMP-AD1-B
RMP-AD1-WH



RMP-AD2-B
RMP-AD2-WH



RMP-2-B



RMP-2-WH (Shown with Fixed Lights installed)

MINITASK ACCESSORIES

Regressed multiple light ceiling plate option for low voltage MT series downlights. 2 and 3 light versions for clean looking groups where more light is needed. Use adjustable fixtures to highlight walls or spread out light over a larger area. All white or Black with white trim options to match most décor. Adapter rings allow simple use of different size units. Easy to install with spring clips.

ACCESSORIES

Catalog No.	Description	Trim Size	Cut-Out Size
RMP-2-B	Regressed Multi-Plate, 2 Light, Black/White Trim	6-1/2" x 11"	5-1/2" x 9-5/8"
RMP-2-WH	Regressed Multi-Plate, 2 Light, White/White Trim	6-1/2" x 11"	5-1/2" x 9-5/8"
RMP-3-B	Regressed Multi-Plate, 3 Light, Black/White Trim	6-1/2" x 15-3/4"	5-1/2" x 14-1/2"
RMP-3-WH	Regressed Multi-Plate, 3 Light, White/White Trim	6-1/2" x 15-3/4"	5-1/2" x 14-1/2"
RMP-AD1-B	Regressed Multi-Plate Adapter 1 Black	N/A	N/A
RMP-AD1-WH	Regressed Multi-Plate Adapter 1 White	N/A	N/A
RMP-AD2-B	Regressed Multi-Plate Adapter 2 Black	N/A	N/A
RMP-AD2-W	Regressed Multi-Plate Adapter 2 White	N/A	N/A

COMPATIBILITY (Select Plate and down light, use parts listed to mount MT fixture in RMP plate)

Model	Luminaires	MTR1	MTR2
RMP-2-B	2	(2) MTR1-5CCT-B + (2) RMP-AD1-B	(2) MTR2-5CCT-B + (2) RMP-AD2-B
RMP-2-WH	2	(2) MTR1-5CCT-W + (2) RMP-AD1-WH	(2) MTR2-5CCT-W + (2) RMP-AD2-WH
RMP-3-B	3	(3) MTR1-5CCT-B + (3) RMP-AD1-B	(3) MTR2-5CCT-B + (3) RMP-AD2-B
RMP-3-WH	3	(3) MTR1-5CCT-W + (3) RMP-AD1-WH	(3) MTR2-5CCT-W + (3) RMP-AD2-WH

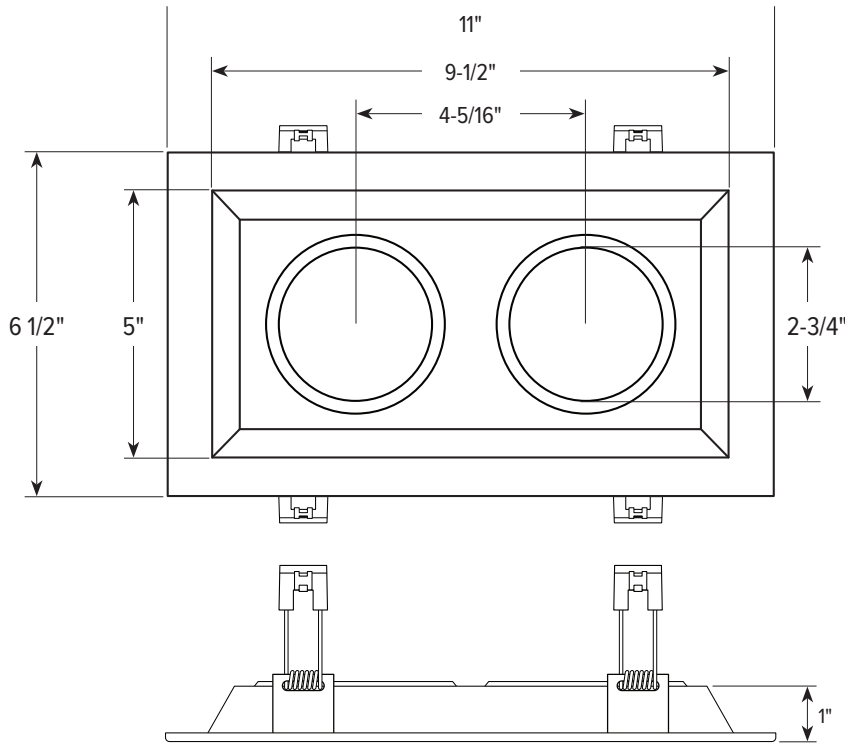
NOTE: Apply rings to RMP plates first before installing downlights.

120V Selectable MiniTask

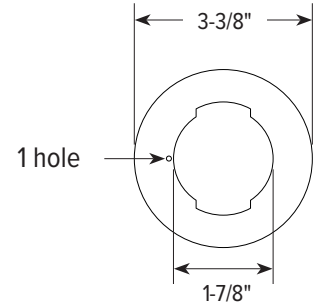


1" and 2" Round and Square Recessed LED Downlights

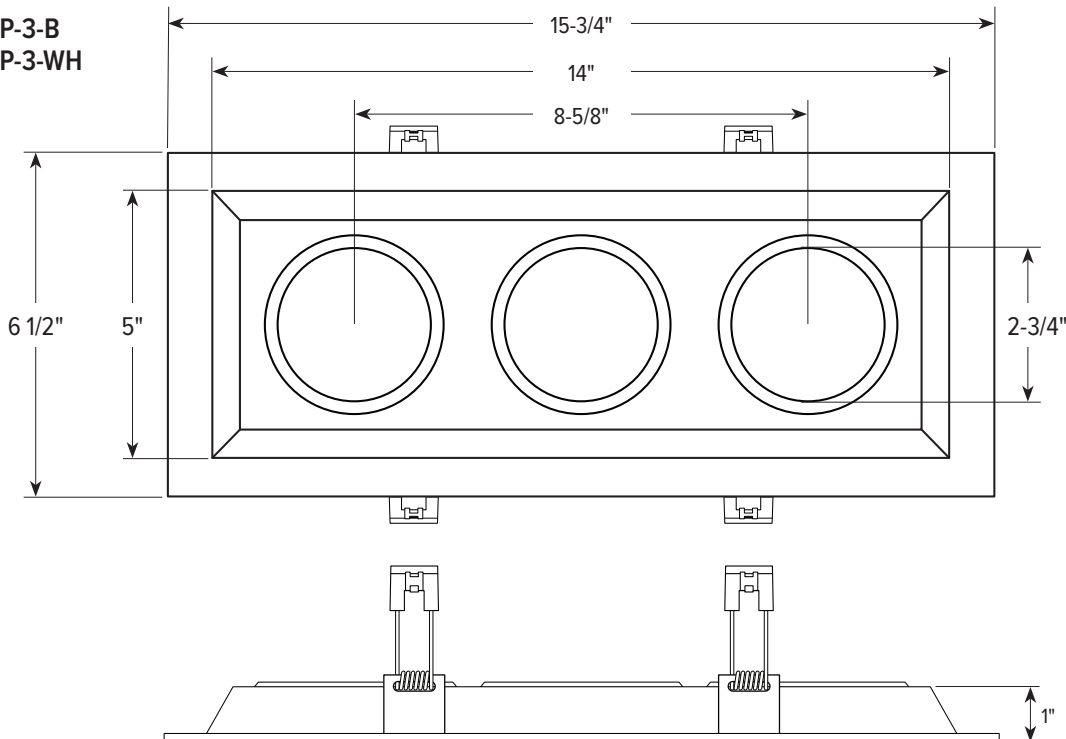
RMP-2-B
RMP-2-WH



RMP-AD1-B
RMP-AD1-WH



RMP-3-B
RMP-3-WH



RMP-AD2-B
RMP-AD2-WH

