

120V Selectable MiniTask

Round Adjustable 1" and 2" LED Downlights



| | |
|--------------|------|
| Project Name | Type |
| Catalog # | Date |

PRODUCT OVERVIEW

Round adjustable recessed Mini Task selectable 5CCT downlights with a 90+ CRI light source. Available in 1" and 2" in white. The fixture is fully dimmable. Quick to install. Versatile in adjusting to aiming needs. Power supply integrated into included wiring box. No separate power supply required.



FEATURES

- 120V
- 5CCT selectable switch (2700K / 3000K / 3500K / 4000K / 5000K)
- Dimmable ELV
- +/- 15° tilt range over 360°
- 38° beam angle
- 90+ CRI
- 1" module - up to 350lm., 2" module up to 625lm.
- Round trim style
- White finish
- Wet location, indoor covered ceiling
- IC Rated for insulated ceiling spaces



SPECIFICATIONS

ELECTRICAL

- 5W (1")
- 8W (2")
- 120V (includes wiring box)

OPTICS

- Selectable switch 2700K, 3000K, 3500K, 4000K, 5000K
- 90+ CRI

CERTIFICATION

- ETL listed (US & Canada)
- Energy Star
- Title24/J8
- IC rated

OPERATING TEMP

- -4°F to 104°F

WARRANTY

- 5 years



ORDERING INFORMATION

Example: MTRA1-5CCT-W

| Model | Format | Size | Color Temp | Finish |
|---------------|-----------------------|------|--------------------------|-----------|
| MT (MiniTask) | RA (Round Adjustable) | 1" | 5CCT (Selectable Switch) | W (White) |
| | | 2" | | |

ACCESSORIES

| Model | Description |
|------------------|--|
| CHDL-UNV-NCP | Universal new construction mounting plate |
| RSD-TUN-5FT-EXT | 5' extension cord for RSD Series Downlights |
| RSD-TUN-10FT-EXT | 10' extension cord for RSD Series Downlights |
| RSD-TUN-20FT-EXT | 20' extension cord for RSD Series Downlights |

LUMEN TABLE

| Model | 2700K | 3000K | 3500K | 4000K | 5000K |
|--------------|-------|-------|-------|-------|-------|
| MTRA1-5CCT-W | 330lm | 350lm | 360lm | 370lm | 350lm |
| Lumen Factor | 0.95 | 1.00 | 1.05 | 1.06 | 1.01 |
| MTRA2-5CCT-W | 540lm | 570lm | 610lm | 625lm | 620lm |
| Lumen Factor | 0.95 | 1.00 | 1.07 | 1.09 | 1.08 |

NOTE: IES files available in 3000K. Download from product page on website. If needed, use lumen factors to scale output to other color temperatures.

120V Selectable MiniTask



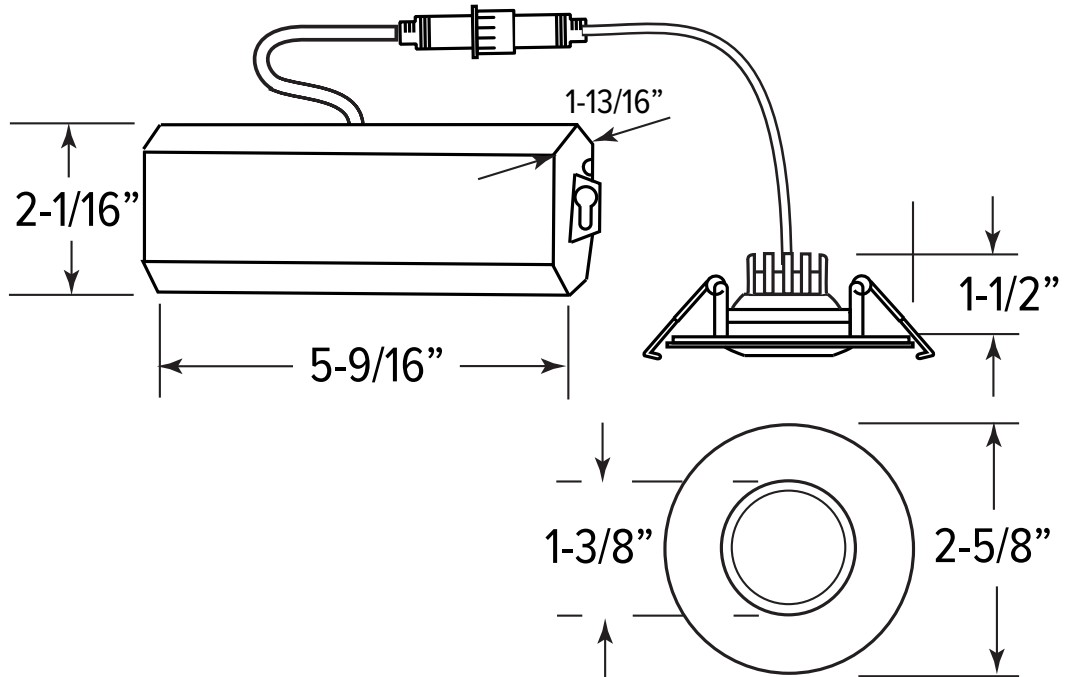
Round Adjustable 1" and 2" LED Downlights

DIMENSIONS

1" MiniTask Round Adjustable

Ceiling cutout size for hole

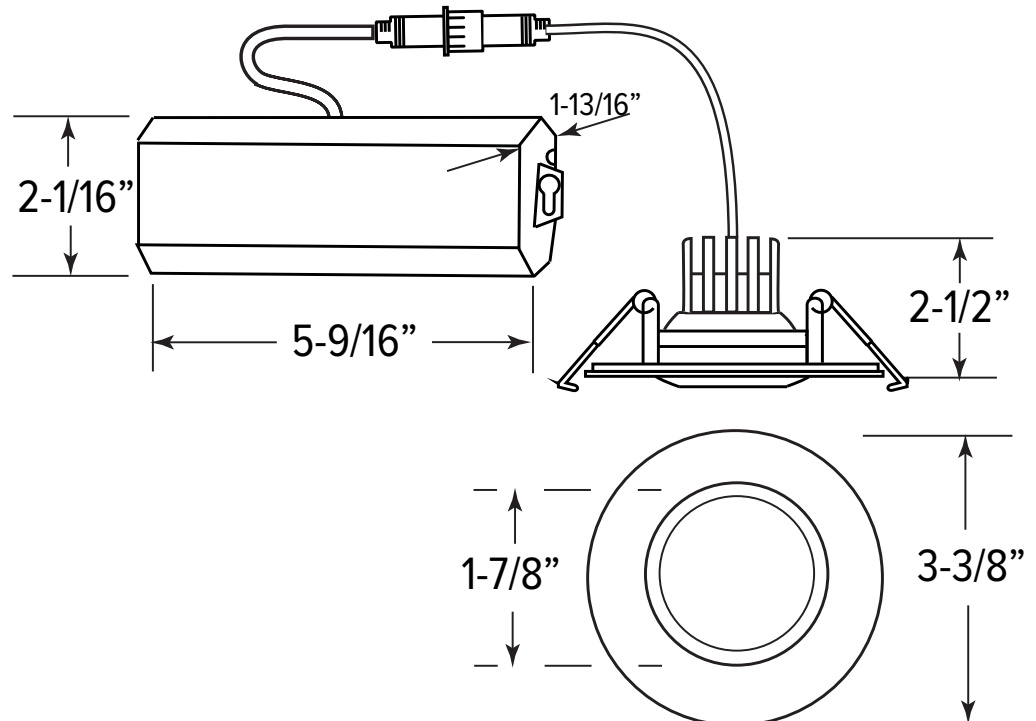
1" Round Fixed Downlight:
Ø2-1/8" (54mm) round



2" MiniTask Round Adjustable

Ceiling cutout size for hole

2" Round Fixed Downlight:
Ø2-5/8" (67mm) round

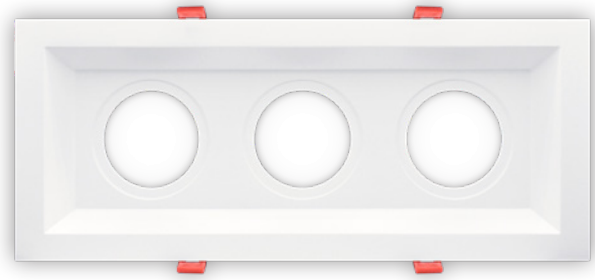


120V Selectable MiniTask

Round Adjustable 1" and 2" LED Downlights



RMP-3-B (Shown with Adjustable Lights installed)



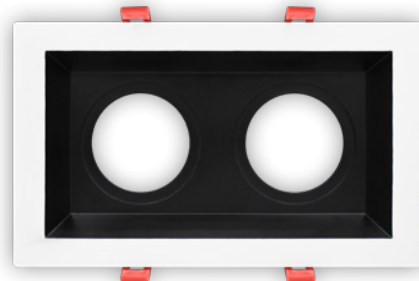
RMP-3-WH



RMP-AD1-B



RMP-AD1-WH



RMP-2-B



RMP-2-WH (Shown with Adjustable Lights installed)

MINITASK ACCESSORIES

Regressed multiple light ceiling plate option for low voltage MT series downlights. 2 and 3 light versions for clean looking groups where more light is needed. Use adjustable fixtures to highlight walls or spread out light over a larger area. All white or Black with white trim options to match most décor. Adapter rings allow simple use of different size units. Easy to install with spring clips.

ACCESSORIES

| Catalog No. | Description | Trim Size | Cut-Out Size |
|-------------|--|------------------|------------------|
| RMP-2-B | Regressed Multi-Plate, 2 Light, Black/White Trim | 6-1/2" x 11" | 5-1/2" x 9-5/8" |
| RMP-2-WH | Regressed Multi-Plate, 2 Light, White/White Trim | 6-1/2" x 11" | 5-1/2" x 9-5/8" |
| RMP-3-B | Regressed Multi-Plate, 3 Light, Black/White Trim | 6-1/2" x 15-3/4" | 5-1/2" x 14-1/2" |
| RMP-3-WH | Regressed Multi-Plate, 3 Light, White/White Trim | 6-1/2" x 15-3/4" | 5-1/2" x 14-1/2" |
| RMP-AD1-B | Regressed Multi-Plate Adapter 1 Black | N/A | N/A |
| RMP-AD1-WH | Regressed Multi-Plate Adapter 1 White | N/A | N/A |

COMPATIBILITY (Select Plate and down light, use parts listed to mount MT fixture in RMP plate)

| Model | Luminaires | MTRA1 | MTRA2 |
|----------|------------|-----------------------------------|------------------|
| RMP-2-B | 2 | (2) MTRA1-5CCT-B + (2) RMP-AD1-B | (2) MTRA2-5CCT-B |
| RMP-2-WH | 2 | (2) MTRA1-5CCT-W + (2) RMP-AD1-WH | (2) MTRA2-5CCT-W |
| RMP-3-B | 3 | (3) MTRA1-5CCT-B + (3) RMP-AD1-B | (3) MTRA2-5CCT-B |
| RMP-3-WH | 3 | (3) MTRA1-5CCT-W + (3) RMP-AD1-WH | (3) MTRA2-5CCT-W |

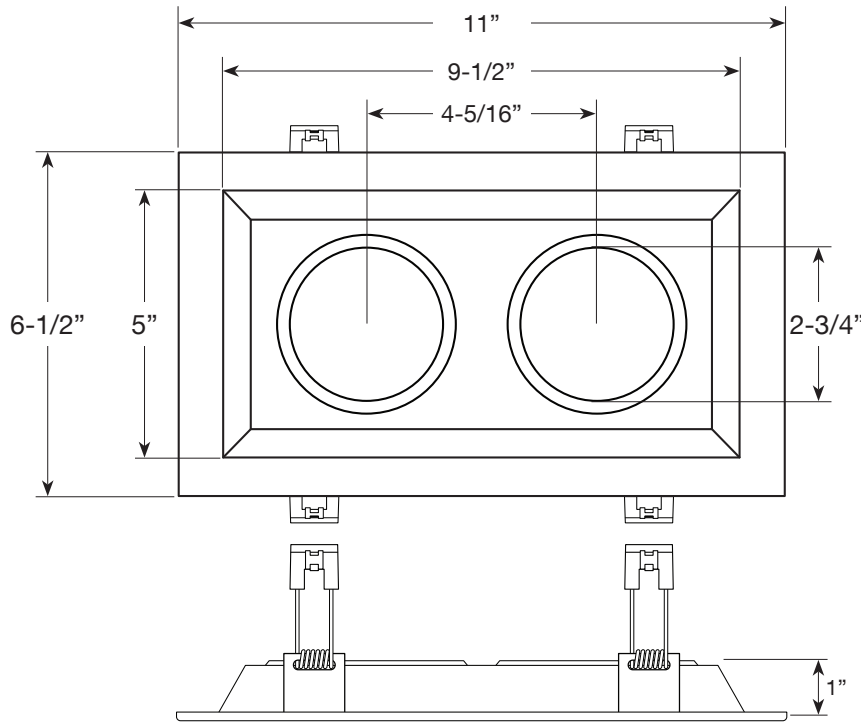
NOTE: Apply rings to RMP plates first before installing downlights.

120V Selectable MiniTask

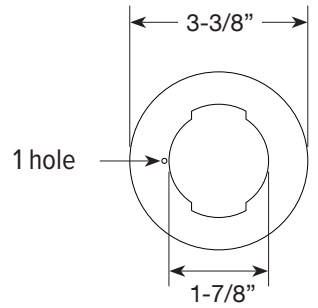


Round Adjustable 1" and 2" LED Downlights

RMP-2-B
RMP-2-WH



RMP-AD1-B
RMP-AD1-WH



RMP-3-B
RMP-3-WH

