

# 120V Selectable MiniTask

## Round Adjustable 1" and 2" LED Downlights



Project Name	Type
Catalog #	Date

### PRODUCT OVERVIEW

Round adjustable recessed Mini Task selectable 5CCT downlights with a 90+ CRI light source. Available in 1" and 2" in white. The fixture is fully dimmable. Quick to install. Versatile in adjusting to aiming needs. Power supply integrated into included wiring box. No separate power supply required.



### FEATURES

- 120V
- 5CCT selectable switch (2700K / 3000K / 3500K / 4000K / 5000K)
- Dimmable ELV
- +/- 15° tilt range over 360°
- 38° beam angle
- 90+ CRI
- 1" module - up to 350lm., 2" module up to 625lm.
- Round trim style
- White or Black finish
- Wet location, indoor covered ceiling
- IC Rated for insulated ceiling spaces

### SPECIFICATIONS

#### ELECTRICAL

- 5W (1")
- 8W (2")
- 120V (includes wiring box)

#### OPTICS

- Selectable switch 2700K, 3000K, 3500K, 4000K, 5000K
- 90+ CRI

#### CERTIFICATION

- ETL listed (US & Canada)
- Title24/J8
- IC rated

#### OPERATING TEMP

- -4°F to 104°F

#### WARRANTY

- 5 years



### ORDERING INFORMATION

Example: MTRA1-5CCT-W

Model	Format	Size	Color Temp	Finish
MT (MiniTask)	RA (Round Adjustable)	1"	5CCT (Selectable Switch)	W (White)
		2"		B (Black)

### ACCESSORIES

Model	Description
CHDL-UNV-NCP	Universal new construction mounting plate
RSD-TUN-5FT-EXT	5' extension cord for RSD Series Downlights
RSD-TUN-10FT-EXT	10' extension cord for RSD Series Downlights
RSD-TUN-20FT-EXT	20' extension cord for RSD Series Downlights

### LUMEN TABLE

Model	2700K	3000K	3500K	4000K	5000K
MTRA1-5CCT	330lm	350lm	360lm	370lm	350lm
Lumen Factor	0.95	1.00	1.05	1.06	1.01
MTRA2-5CCT	540lm	570lm	610lm	625lm	620lm
Lumen Factor	0.95	1.00	1.07	1.09	1.08

NOTE: IES files available in 3000K. Download from product page on website. If needed, use lumen factors to scale output to other color temperatures.

# 120V Selectable MiniTask



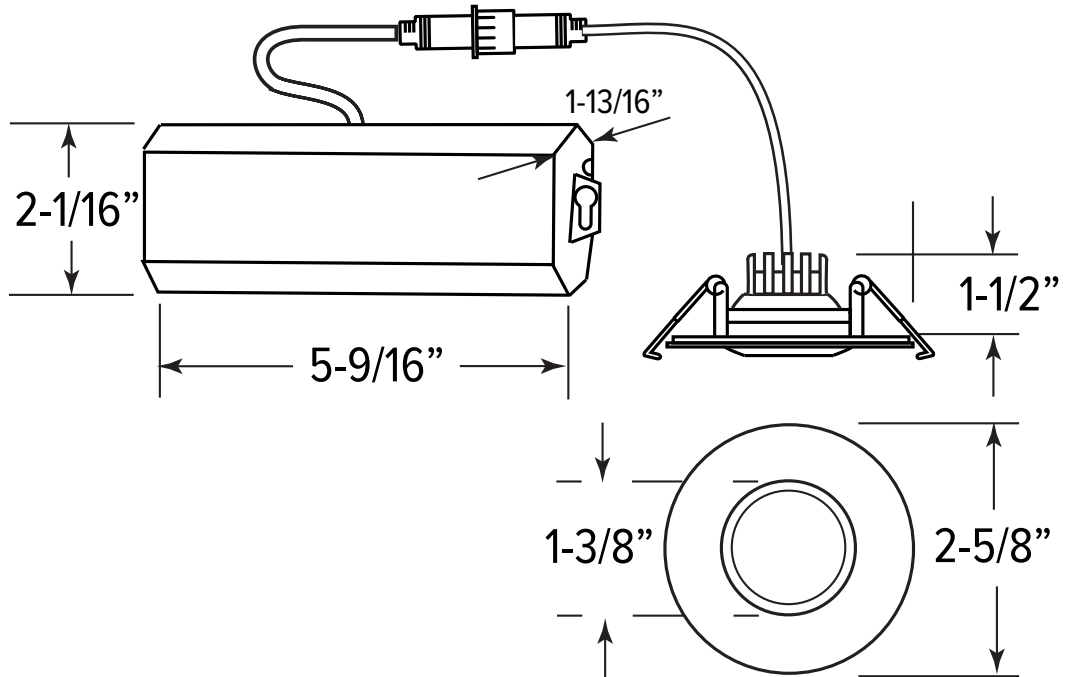
## Round Adjustable 1" and 2" LED Downlights

### DIMENSIONS

1" MiniTask Round Adjustable

Ceiling cutout size for hole

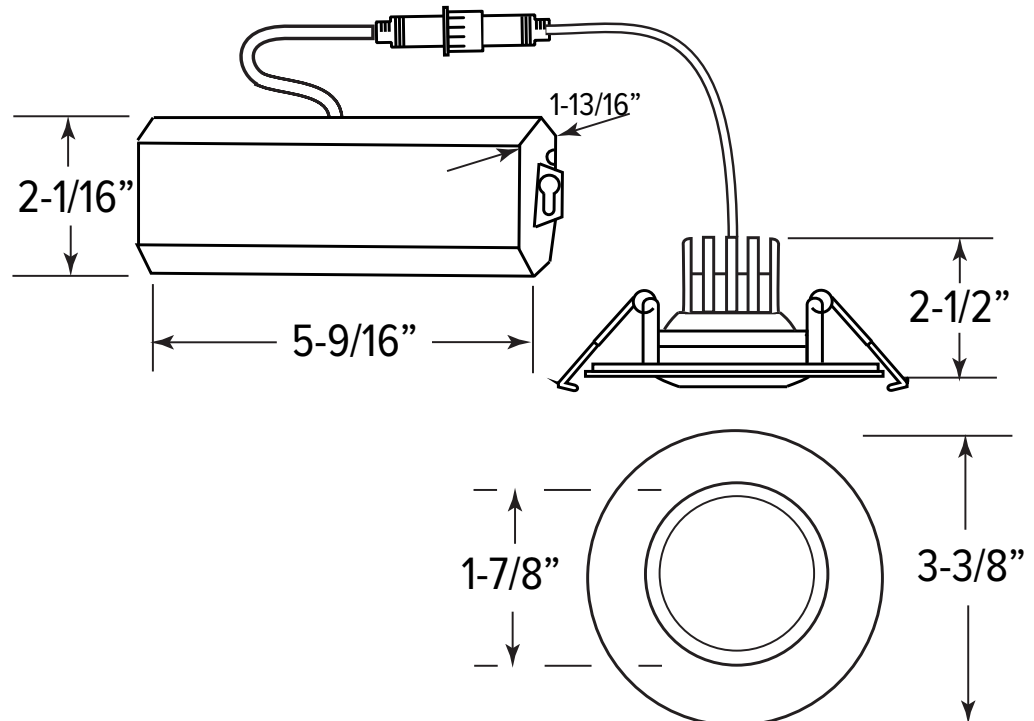
1" Round Fixed Downlight:  
Ø2-1/8" (54mm) round



2" MiniTask Round Adjustable

Ceiling cutout size for hole

2" Round Fixed Downlight:  
Ø2-5/8" (67mm) round

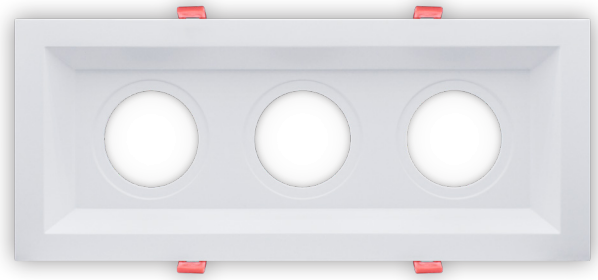


# 120V Selectable MiniTask

## Round Adjustable 1" and 2" LED Downlights



RMP-3-B (Shown with Adjustable Lights installed)



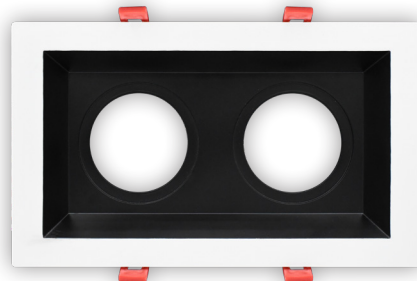
RMP-3-WH



RMP-AD1-B



RMP-AD1-WH



RMP-2-B



RMP-2-WH (Shown with Adjustable Lights installed)

### MINITASK ACCESSORIES

Regressed multiple light ceiling plate option for low voltage MT series downlights. 2 and 3 light versions for clean looking groups where more light is needed. Use adjustable fixtures to highlight walls or spread out light over a larger area. All white or Black with white trim options to match most décor. Adapter rings allow simple use of different size units. Easy to install with spring clips.

### ACCESSORIES

Catalog No.	Description	Trim Size	Cut-Out Size
RMP-2-B	Regressed Multi-Plate, 2 Light, Black/White Trim	6-1/2" x 11"	5-1/2" x 9-5/8"
RMP-2-WH	Regressed Multi-Plate, 2 Light, White/White Trim	6-1/2" x 11"	5-1/2" x 9-5/8"
RMP-3-B	Regressed Multi-Plate, 3 Light, Black/White Trim	6-1/2" x 15-3/4"	5-1/2" x 14-1/2"
RMP-3-WH	Regressed Multi-Plate, 3 Light, White/White Trim	6-1/2" x 15-3/4"	5-1/2" x 14-1/2"
RMP-AD1-B	Regressed Multi-Plate Adapter 1 Black	N/A	N/A
RMP-AD1-WH	Regressed Multi-Plate Adapter 1 White	N/A	N/A

### COMPATIBILITY (Select Plate and down light, use parts listed to mount MT fixture in RMP plate)

Model	Luminaires	MTRA1	MTRA2
RMP-2-B	2	(2) MTRA1-5CCT-B + (2) RMP-AD1-B	(2) MTRA2-5CCT-B
RMP-2-WH	2	(2) MTRA1-5CCT-W + (2) RMP-AD1-WH	(2) MTRA2-5CCT-W
RMP-3-B	3	(3) MTRA1-5CCT-B + (3) RMP-AD1-B	(3) MTRA2-5CCT-B
RMP-3-WH	3	(3) MTRA1-5CCT-W + (3) RMP-AD1-WH	(3) MTRA2-5CCT-W

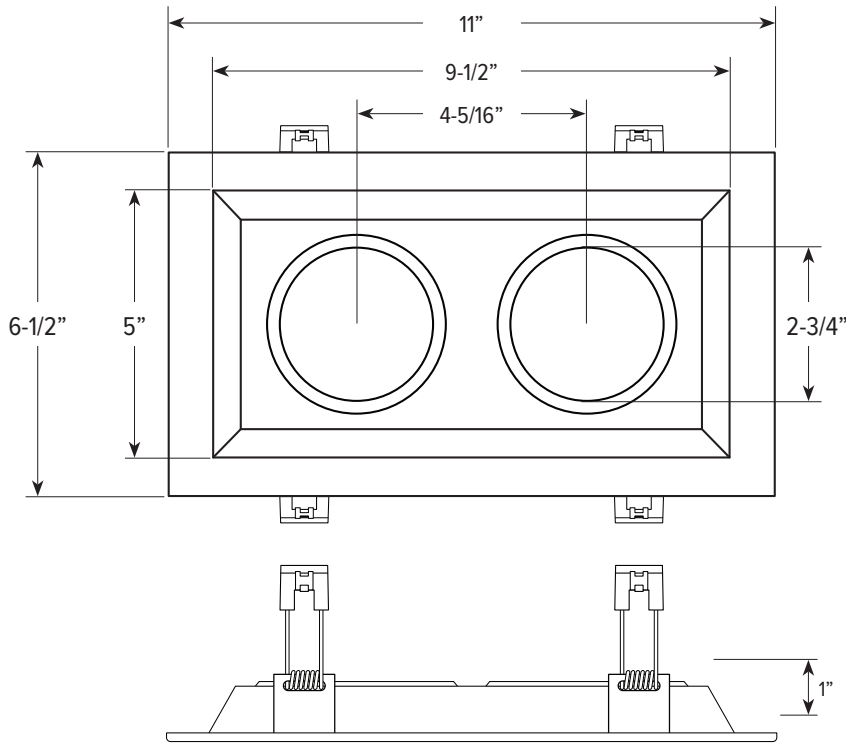
NOTE: Apply rings to RMP plates first before installing downlights.

# 120V Selectable MiniTask

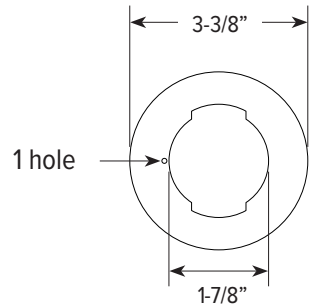


## Round Adjustable 1" and 2" LED Downlights

RMP-2-B  
RMP-2-WH



RMP-AD1-B  
RMP-AD1-WH



RMP-3-B  
RMP-3-WH

