

# 120V Selectable MiniTask

## 1" and 2" Round and Square Recessed LED Downlights

**GM Lighting**®

### PRODUCT OVERVIEW

Low profile recessed MiniTask downlights with selectable 5CCT and 90+ CRI light source. Available in 1" and 2", round or square in white or black color. The fixture is fully dimmable. Quick to install. Small ceiling footprint for a clean look. Power supply integrated into included wiring box. No separate power supply required.

### FEATURES

- 120V
- 5CCT selectable switch (2700K / 3000K / 3500K / 4000K / 5000K)
- Dimmable ELV
- 38° beam angle
- 90+ CRI
- 1" module - up to 500lm, 2" module up to 1100lm
- Square and round trim styles
- Black and white finishes
- Damp location, IP54 (indoor only)
- Wet location, indoor covered ceiling
- IC Rated for insulated ceiling spaces

### SPECIFICATIONS

#### ELECTRICAL

- 7W (1")
- 15W (2")
- 120V (includes wiring box)
  - IC rated

#### OPTICS

- Selectable switch 27K/30K/35K/40K/50K
- 90+ CRI

#### CERTIFICATION

- ETL listed (US & Canada)
- Energy Star
- Title24/J8

#### OPERATING TEMP

- -4°F to 104°F

#### WARRANTY

- 5 years

Project Name	Type
--------------	------

Catalog #	Date
-----------	------



### ORDERING INFORMATION

Example: MTR1-5CCT-W

Model	Format	Size	Color Temp	Finish
MT (MiniTask)	R (Round)	1"	5CCT (Selectable Switch)	W (White)
	S (Square)	2"		B (Black)

### ACCESSORIES

Model	Description
CHDL-UNV-NCP	Universal new construction mounting plate
RSD-TUN-5FT-EXT	5' extension cord for RSD Series Downlights
RSD-TUN-10FT-EXT	10' extension cord for RSD Series Downlights
RSD-TUN-20FT-EXT	20' extension cord for RSD Series Downlights

### LUMEN TABLE

Model	2700K	3000K	3500K	4000K	5000K
MTR1-5CCT-W/B MTS1-5CCT-W/B	430lm	465lm	495lm	500lm	475lm
Lumen Factor	0.93	1.00	1.07	1.08	1.02
MTR2-5CCT-W/B MTS2-5CCT-W/B	540lm	570lm	610lm	625lm	620lm
Lumen Factor	0.94	1.00	1.10	1.13	1.05

NOTE: IES files available in 3000K. Download from product page on website. If needed, use lumen factors to scale output to other color temperatures.

# 120V Selectable MiniTask



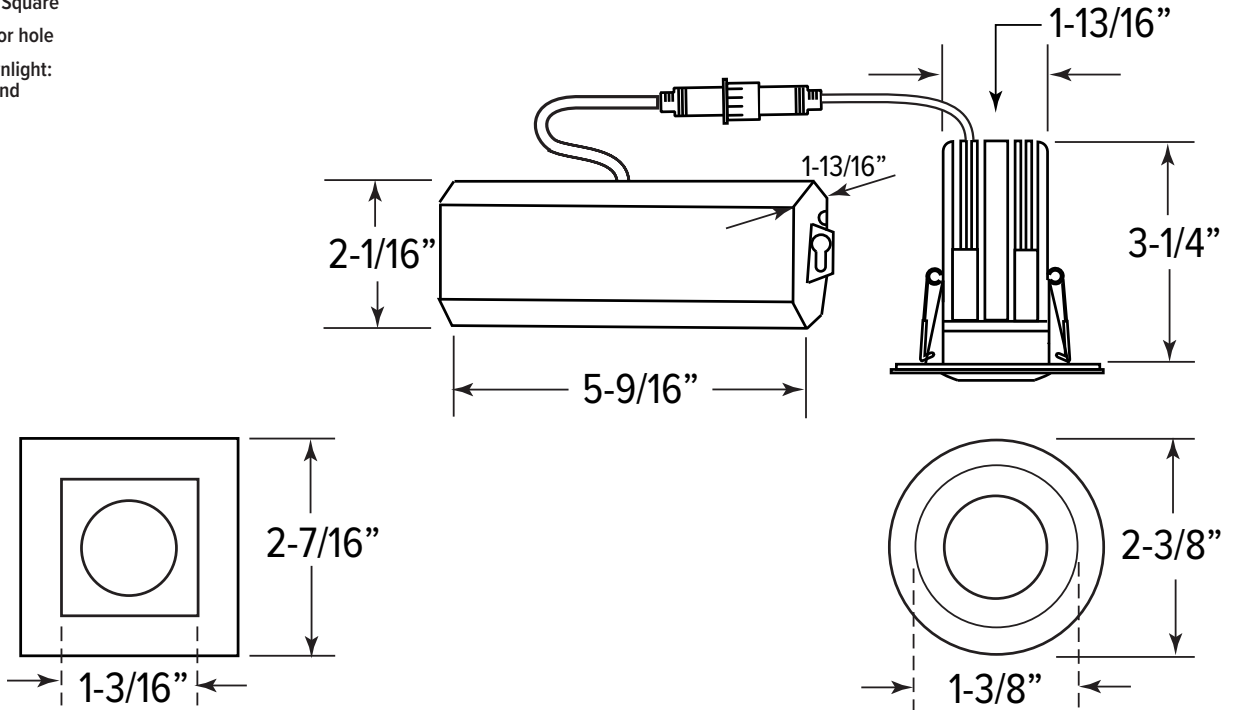
## 1" and 2" Round and Square Recessed LED Downlights

### DIMENSIONS

1" MiniTask Round / Square

Ceiling cutout size for hole

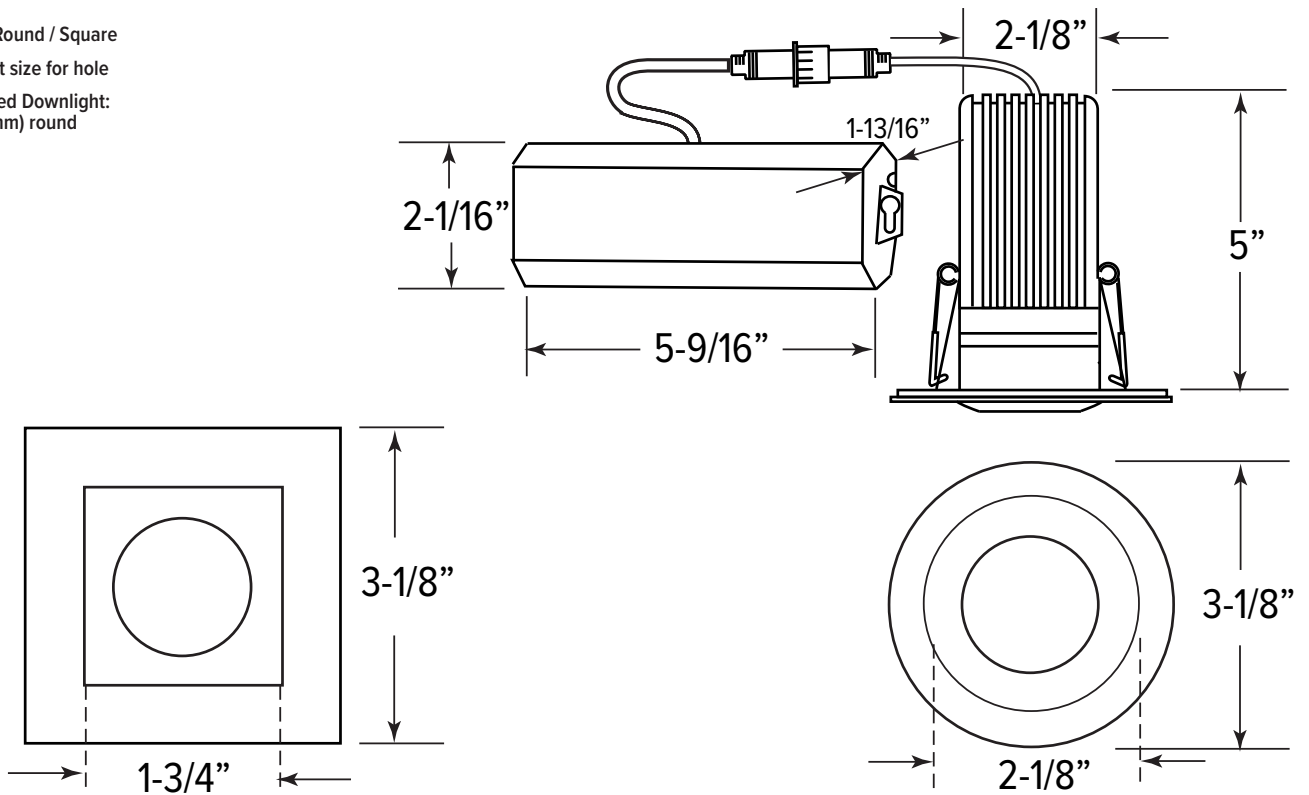
1" Round Fixed Downlight:  
Ø2-1/8" (54mm) round



2" MiniTask Round / Square

Ceiling cutout size for hole

2" Round Fixed Downlight:  
Ø2-5/8" (67mm) round

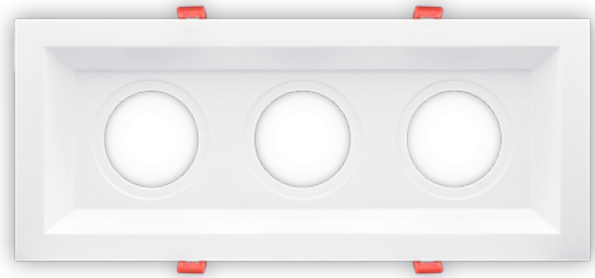


# 120V Selectable MiniTask

## 1" and 2" Round and Square Recessed LED Downlights



RMP-3-B (Shown with Fixed Lights installed)



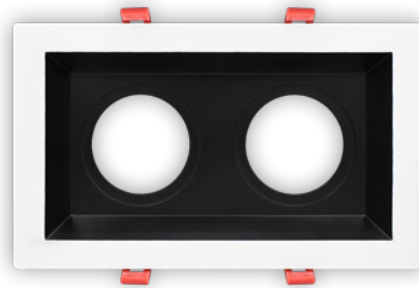
RMP-3-WH



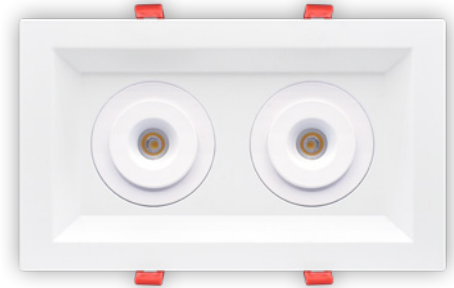
RMP-AD1-B  
RMP-AD1-WH



RMP-AD2-B  
RMP-AD2-WH



RMP-2-B



RMP-2-WH (Shown with Fixed Lights installed)

### MINITASK ACCESSORIES

Regressed multiple light ceiling plate option for low voltage MT series downlights. 2 and 3 light versions for clean looking groups where more light is needed. Use adjustable fixtures to highlight walls or spread out light over a larger area. All white or Black with white trim options to match most décor. Adapter rings allow simple use of different size units. Easy to install with spring clips.

### ACCESSORIES

Catalog No.	Description	Trim Size	Cut-Out Size
RMP-2-B	Regressed Multi-Plate, 2 Light, Black/White Trim	6-1/2" x 11"	5-1/2" x 9-5/8"
RMP-2-WH	Regressed Multi-Plate, 2 Light, White/White Trim	6-1/2" x 11"	5-1/2" x 9-5/8"
RMP-3-B	Regressed Multi-Plate, 3 Light, Black/White Trim	6-1/2" x 15-3/4"	5-1/2" x 14-1/2"
RMP-3-WH	Regressed Multi-Plate, 3 Light, White/White Trim	6-1/2" x 15-3/4"	5-1/2" x 14-1/2"
RMP-AD1-B	Regressed Multi-Plate Adapter 1 Black	N/A	N/A
RMP-AD1-WH	Regressed Multi-Plate Adapter 1 White	N/A	N/A
RMP-AD2-B	Regressed Multi-Plate Adapter 2 Black	N/A	N/A
RMP-AD2-W	Regressed Multi-Plate Adapter 2 White	N/A	N/A

### COMPATIBILITY (Select Plate and down light, use parts listed to mount MT fixture in RMP plate)

Model	Luminaires	MTR1	MTR2
RMP-2-B	2	(2) MTR1-5CCT-B + (2) RMP-AD1-B	(2) MTR2-5CCT-B + (2) RMP-AD2-B
RMP-2-WH	2	(2) MTR1-5CCT-W + (2) RMP-AD1-WH	(2) MTR2-5CCT-W + (2) RMP-AD2-WH
RMP-3-B	3	(3) MTR1-5CCT-B + (3) RMP-AD1-B	(3) MTR2-5CCT-B + (3) RMP-AD2-B
RMP-3-WH	3	(3) MTR1-5CCT-W + (3) RMP-AD1-WH	(3) MTR2-5CCT-W + (3) RMP-AD2-WH

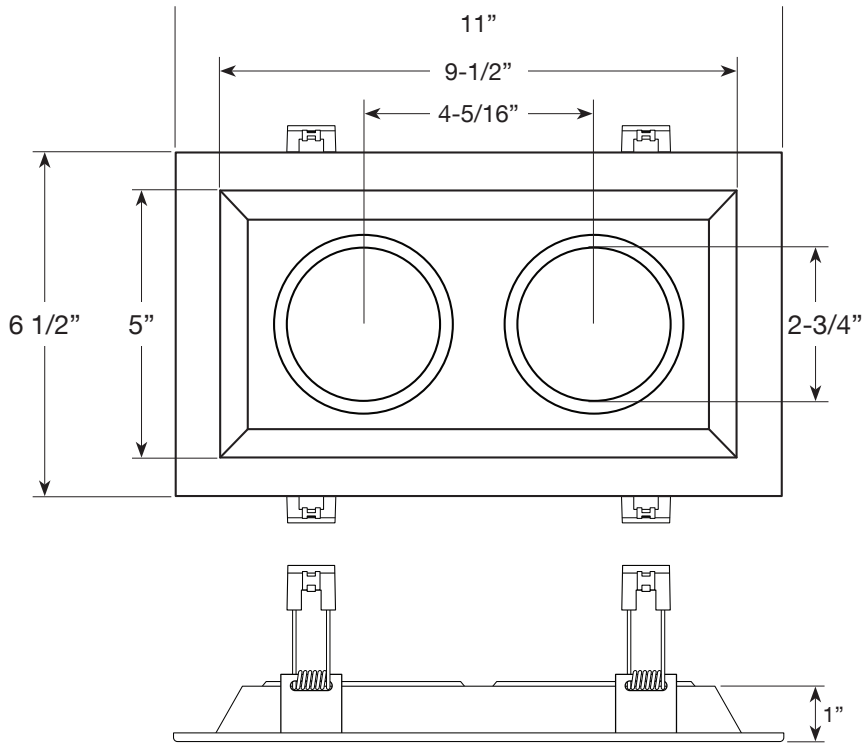
NOTE: Apply rings to RMP plates first before installing downlights.

# 120V Selectable MiniTask

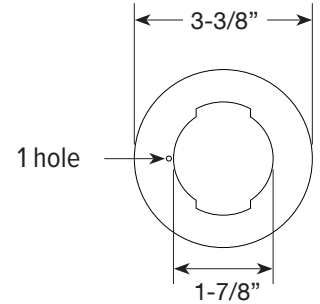
## 1" and 2" Round and Square Recessed LED Downlights



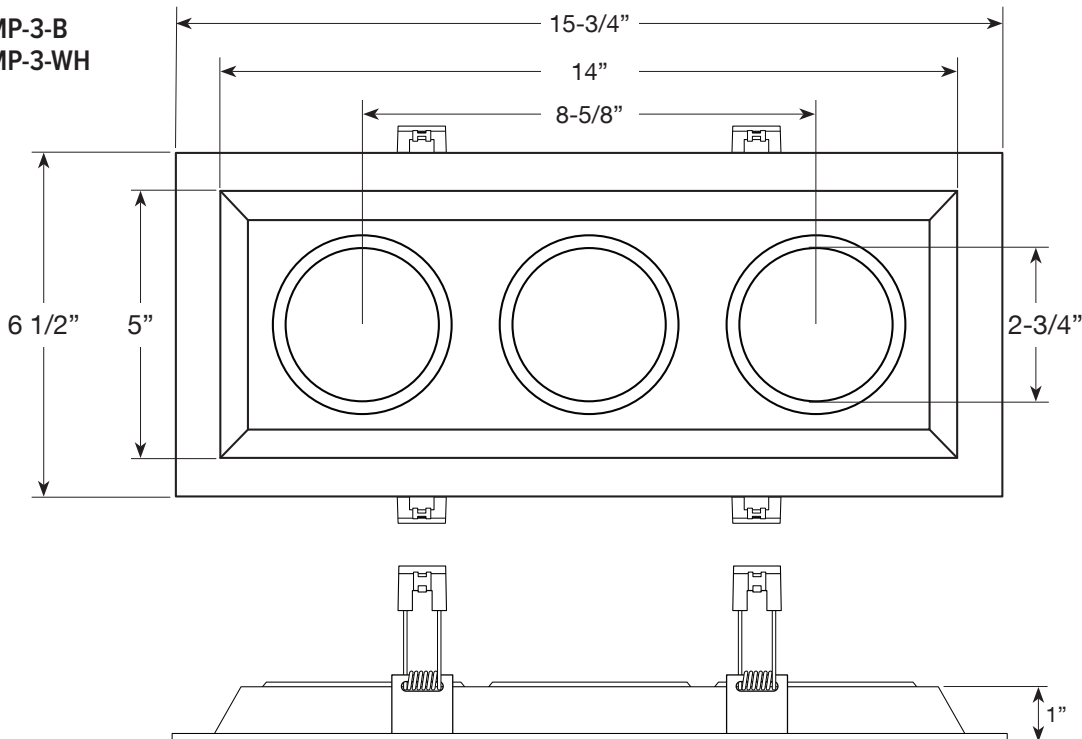
RMP-2-B  
RMP-2-WH



RMP-AD1-B  
RMP-AD1-WH



RMP-3-B  
RMP-3-WH



RMP-AD2-B  
RMP-AD2-WH

