

RSD LED Downlight

120V Selectable White Regressed Slim Downlight



Project Name	Type
Catalog #	Date

PRODUCT OVERVIEW

Easy to install with an included junction box that is connected via a modular jack, these 3", 4", 6", and 8" slim mount, regressed downlights feature superior optics along with a Title 24 rating in a streamlined, shallow mount design.



FEATURES

- 120V
- Selectable: 2700K, 3000K, 4000K
- Wet location
- IC rating for insulated ceilings
- Edge-Lit technology for diode free illumination
- Meets NEC code Article 314.16 for junction box fill of (5) 14 AWG or (5) 12 AWG max.
Box volume = 11.25in³

SPECIFICATIONS

ELECTRICAL

- 120V
- 6W, 9W, 12W, 15W

LABEL

- ETL
- Title 24 - JA8

OPTICS

- 90+ CRI
- 120° beam angle

WARRANTY

- 5 years



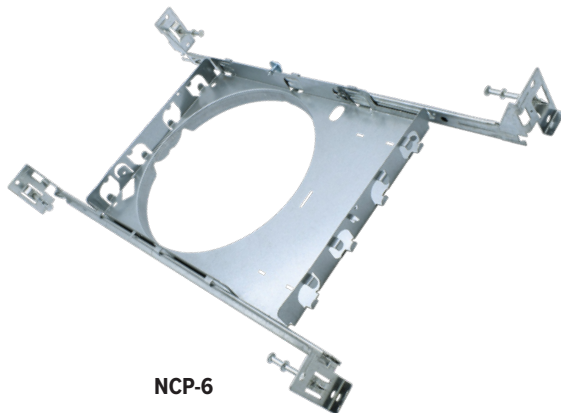
ORDERING INFORMATION

Example: RSD-4-TUN-WH

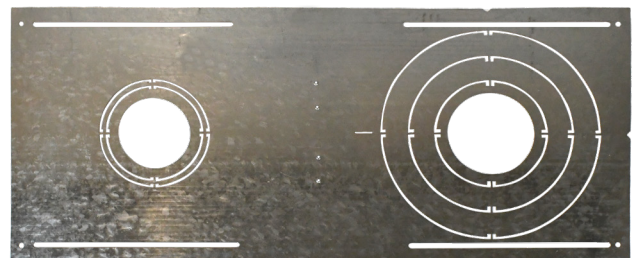
Model	-	Diameter	-	Color Temp	-	Finish
RSD		3 (3-3/4" Diam)		TUN		WH (White)
		4 (5-1/8" Diam)				
		6 (6-7/8" Diam)				
		8 (9" Diam)				

CONNECTORS AND ACCESSORIES

Model	Description
RSD-TUN-5FT-EXT	5' Extension Cord for RSD Series Downlights
RSD-TUN-10FT-EXT	10' Extension Cord for RSD Series Downlights
RSD-TUN-20FT-EXT	20' Extension Cord for RSD Series Downlights
UNV-NCP	Construction Plate for All RSD Series Downlights



NCP-6



UNV-NCP

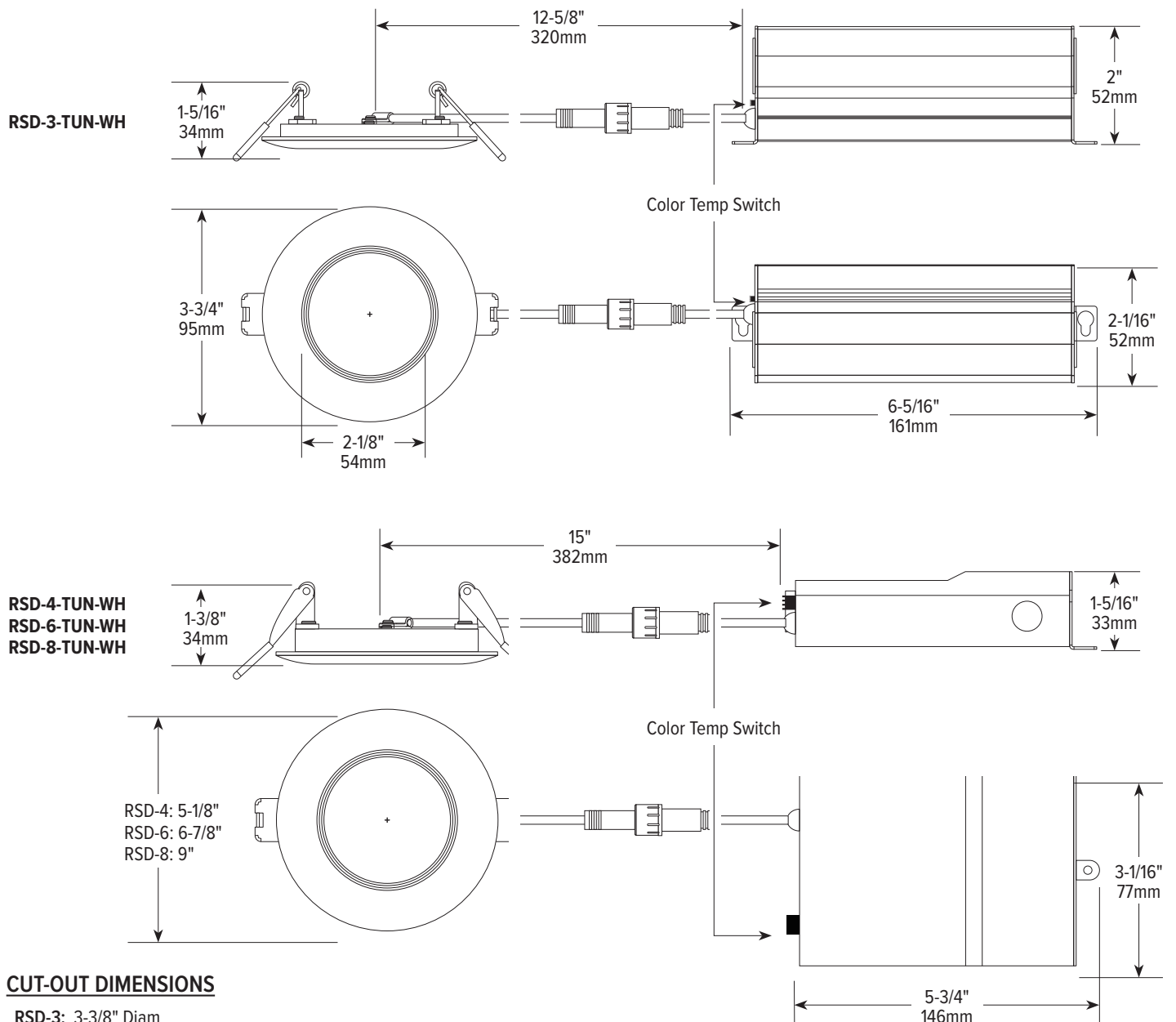
RSD LED Downlight

120V Selectable White Regressed Slim Downlight



Catalog No.	Diameter	Selectable Color Temp	Wattage	Lumens	Finish
RSD-3-TUN-WH	3 (3-3/4" Dia.)	2700K/3000K/4000K	6W	400, 425, 450	White
RSD-4-TUN-WH	4 (5-1/8" Dia.)	2700K/3000K/4000K	9W	500, 525, 550	White
RSD-6-TUN-WH	6 (6-7/8" Dia.)	2700K/3000K/4000K	12W	700, 725, 750	White
RSD-8-TUN-WH	8 (9" Dia.)	2700K/3000K/4000K	15W	900, 925, 950	White

WIRING DIAGRAMS



CUT-OUT DIMENSIONS

- RSD-3: 3-3/8" Diam
- RSD-4: 4-1/4" Diam
- RSD-6: 6-1/4" Diam
- RSD-8: 8-1/4" Diam