

Surface Mount Downlight

120V S9 Series Specification Sheet 9" Low Profile Disk

GM Lighting®

Project Name	Type
--------------	------

Catalog #	Date
-----------	------

PRODUCT OVERVIEW

9.5" diameter circular surface mount downlight has a high lumen output for larger spaces. Constructed of a high quality aluminum body with translucent white polycarbonate diffuser for low glare and durability. S9 luminaires are versatile and provide high quality illumination which meets Title 24/JA8 requirements.



FEATURES

- Dimmable (Triac)
- 5CCT Selection Switch
- Powder coated metal housing with white opal diffuser

SPECIFICATIONS

ELECTRICAL

- 120V
- 15W

CERTIFICATION

- ETL
- Title 24-JA8
- Energy Star
- ADA compliant
- Wet location, indoor covered ceiling
- Operating temp. -4°F - 122°F*

WARRANTY

- 5 year warranty

APPLICATIONS

- General use
- Hallways
- Bathroom
- Utility room

NOTE: Do not install in an environment outside the listed ambient temperature



ORDERING INFORMATION

Example: S9-TUN-WH

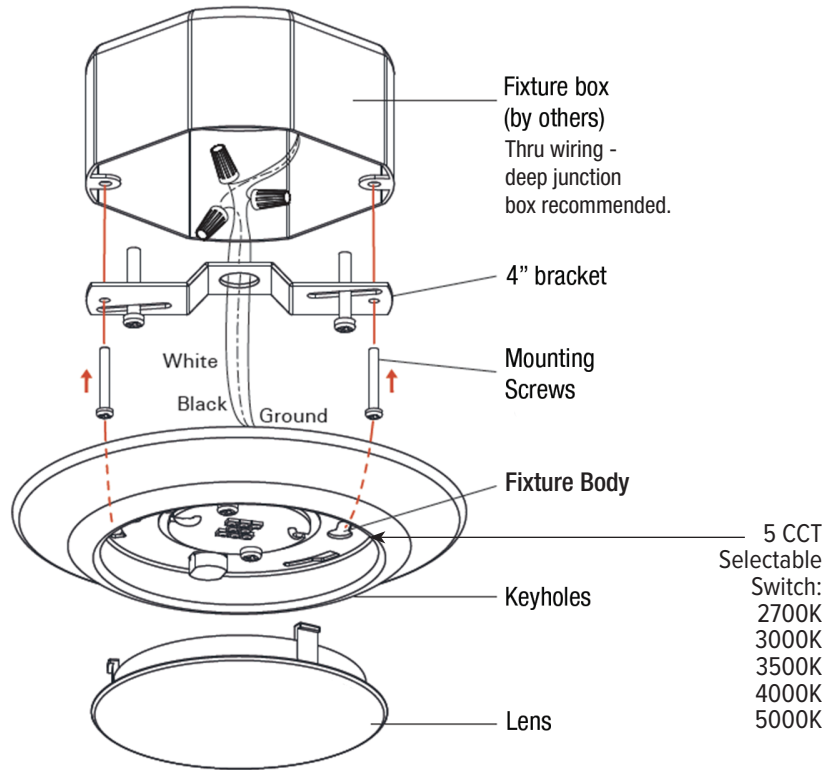
Model	Color Temp	Color
S9	TUN	WH (White)

PHOTOMETRIC INFORMATION

Catalog No.	Performance	Lumens Levels	2700K	3000K	3500K	4000K	5000K
		Lumens	1760	1820	1930	1975	1965
S9-TUN-WH (5CCT)	CRI: 90+ 120° beam angle	Lumen Factor	0.97	1.00	1.06	1.09	1.08

Surface Mount Downlight

120V S9 Series Specification Sheet 9" Low Profile Disk



PRODUCT DIAGRAM

