

Project Name	Type
Catalog #	Date

PRODUCT OVERVIEW

Our SHWC power repeater is designed to expand power output and enable LED controllers to control more fixtures. The power repeater can receive PWM signal from controller and transfer it to multiple runs.



FEATURES

- Works with SHWC controllers
- 12 to 24VDC input
- Ability to add more power
- Can control an unlimited number of repeaters
- Parallel connection
- Multiple repeaters can be connected together for longer runs
- Recommended for indoor use
- 3 year warranty



SPECIFICATIONS

ELECTRICAL

- 12 to 24 VDC input
- 60W max at 12V for Class 2 operation
- 96W max at 24V for Class 2 operation
- 4 channels / 5-wire

HOUSING

- Black plastic enclosure

OPERATING TEMP

- -4 to 122°F (-20 to +50°C)

CERTIFICATION

- FCC compliant

WARRANTY

- 3-year warranty



ORDERING INFORMATION

Example: SHWC-ROBN-RPT

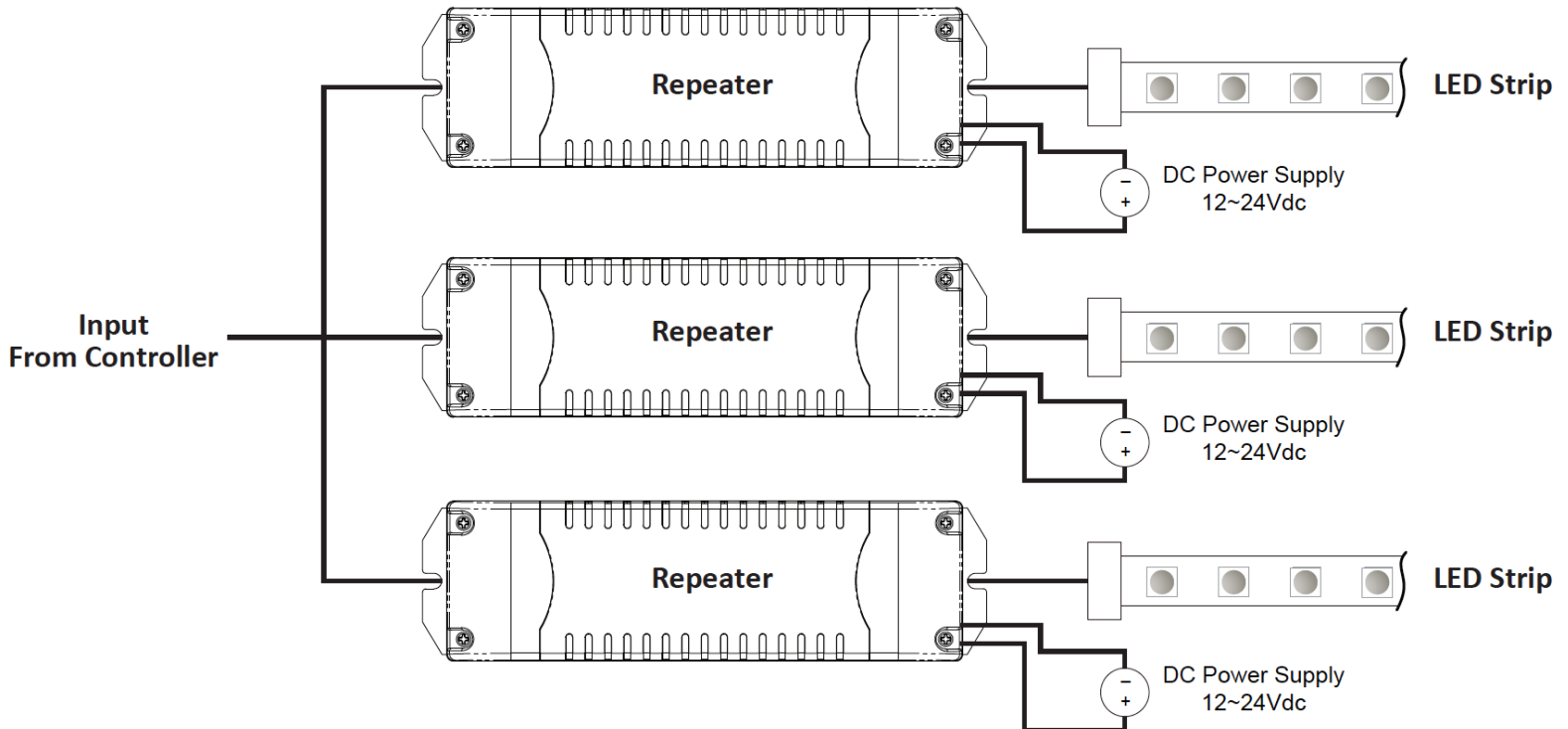
Model	Description
SHWC-ROBN-RPT	Universal Smart Power Repeater



WIRING DIAGRAM

Multi Repeater Connection

*For 12VDC input, use 60W max. for Class 2 operation
For 24VDC input, use 96W max. for Class 2 operation*



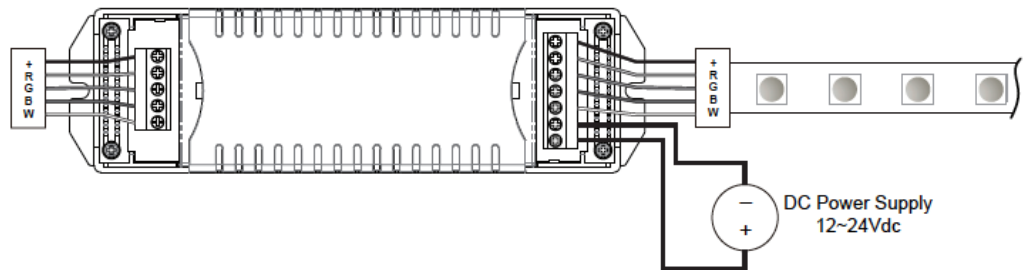
APPLICATION NOTE:

These control devices are rated for 240W (12V), 400W(24V) max. due to fact that 60W(12V) or 100W(24V) may be put into any one channel at a time. As a system, it is not meant to use full 240W(12V) or 400W(24V) into all 4 channels at the same time. To Keep to Class 2 operation, use GM 60W(12V) or 96W(24V) max. driver per control.

RGBW connection (4 channels)

SHWC-RGBW

Input signal from Controller

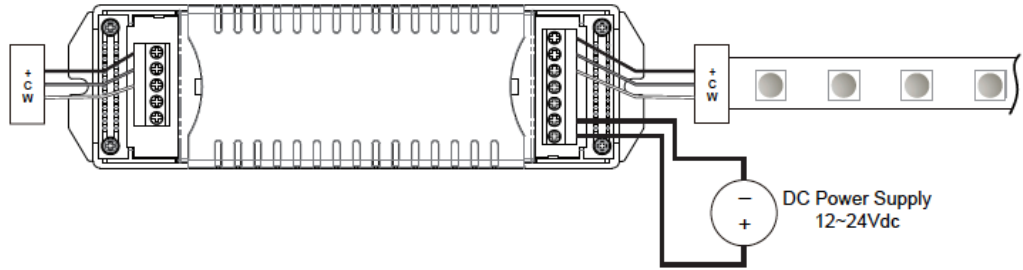


WIRING DIAGRAM

Dual color connection (CCT, 2 channels)

SHWC-CCT

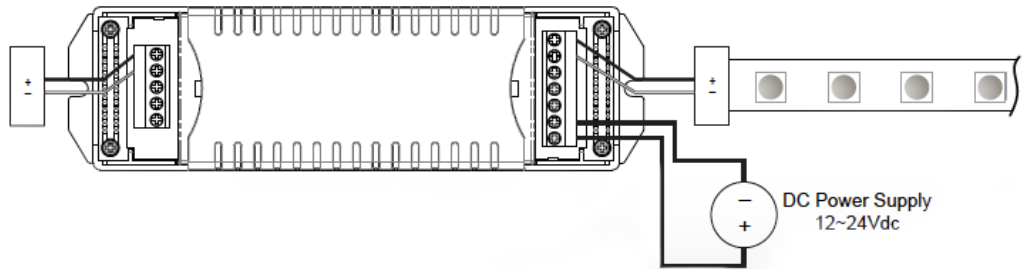
Input signal from Controller



Single color connection (1 channel)

SHWC

Input signal from Controller



DIMENSIONS

