

Flexible LED Tape Mounting Channels, Lens and Endcaps

PRODUCT OVERVIEW

Creating a permanent, architectural installation for Vision120 LED tape may require a suitable channel that not only protects the LED tape, but also insures an uninterrupted line of light that is free of hot spots or glare (when using the aluminum channel with frosted lens). Our Vision120 mounting channels are high quality extrusions. Specify either aluminum with lens, or plastic. End caps available (sold in pairs). Easy to install.

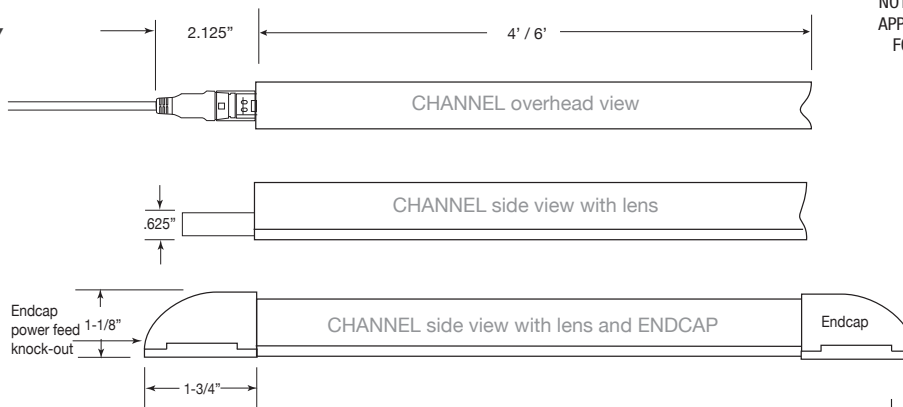
FEATURES

- High grade aluminum
- Field cuttable
- Custom designed end cap for complete finished look
- Easy to mount
- High-grade frosted acrylic lens with over-locking system for aluminum channel

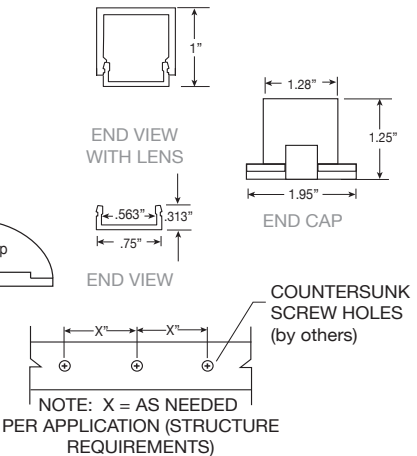
SPECIFICATIONS

LABEL

- ETL WARRANTY
- 5-year warranty



NOTE: FOR MILLWORK / RECESSED APPLICATIONS - CONSULT FACTORY FOR DECIMAL MEASUREMENTS



ORDERING INFORMATION

| Model | Type | Length | Color |
|-------|------|-----------|-------------------------|
| V120 | CHL | 4 (4 ft.) | Blank (Silver Anodized) |
| | | 6 (6 ft.) | Blank (Silver Anodized) |

ACCESSORIES

Example: V120-CHL-6

| Model | Description |
|-----------------|---|
| V120-CHL-4-LENS | Frosted Lens for 4' Aluminum Mounting Channel |
| V120-CHL-6-LENS | Frosted Lens for 6' Aluminum Mounting Channel |
| V120-CHL-P-4 | 4' PVC Mounting Channel (Lens Not Available) |
| V120-CHL-P-6 | 6' PVC Mounting Channel (Lens Not Available) |
| V120-CHL-EC | End Caps (2 with Mounting Screws) for Aluminum Mounting Channel with Lens with Knock-Out for Power or Connectors |
| V120-CHL-ECC | End Cap Covers (2 with Mounting Screws for Aluminum Mounting Channel with Lens with Knock-out for Power or Connectors |

| | |
|--------------|------|
| Project Name | Type |
|--------------|------|

| | |
|-----------|------|
| Catalog # | Date |
|-----------|------|



V120-CHL with end cap

Power feed knock-out → V120-ECC (pair)