

Vision120™ RGBW

3W Indoor and Outdoor Flexible LED Tape Specification Sheet



Project Name	Type
--------------	------

Catalog #	Date
-----------	------



PRODUCT OVERVIEW

The V120-RGBW is the newest addition in the Vision120™ series. With a wealth of color options, RGBW is the next generation of color changing technology for indoor & outdoor applications. Vision120™ RGBW is a wet location flexible LED linear tape that can be factory cut and configured to your specifications.

FEATURES

- RGB + 3000K White light
- Indoor or outdoor (IP65)
- Dimmable (via WiFi controller)
- 120° viewing angle
- Power feed, connector & mounting options available
- Works with GM LUXcontrol™ App and controller
- Factory cuts and configurations for quick and easy installation (Cuttable every 12")
- Tape encased in the water-resistant clear poly flexible sheath (UV protected)
- Maximum run: 150ft (Limit of 4 sections for maximum run Consult factory for other combinations)

SPECIFICATIONS

ELECTRICAL

- 120V
- 3 watts per foot
- SHWC-V120-RGBW controller (required)

OPTICS

- 90+ CRI

OPERATING TEMP

- -4 to 122°F (-20 to +50°C)

CERTIFICATION

- IP65
- ETL

WARRANTY

- 3-year warranty
- Do not install in an application that is not easily accessed for service



ORDERING INFORMATION

Model	Series	Length	Description
V120	RGBW	xx	120V RGBW LED tape, 3W per ft., Wet location

Example: V120-RGBW-xx

ACCESSORIES

Model	Description
V120-RGBW-CHL4	120V RGBW LED tape aluminum mounting channel, 4ft. (3M tape supplied)
V120-RGBW-CHL6	120V RGBW LED tape aluminum mounting channel, 6ft. (3M tape supplied)
V120-RGBW-CHL-LENS4	120V RGBW LED tape channel lens, 4ft. (indoor and *outdoor)
V120-RGBW-CHL-LENS6	120V RGBW LED tape channel lens, 6ft. (indoor and *outdoor)
V120-RGBW-MC	120V RGBW LED tape white plastic mounting clip, bag of 20
V120-RGBW-TTC6	120V RGBW 6in flexible LED tape to tape, UV cured connector
V120-RGBW-TTC12	120V RGBW 12in flexible LED tape to tape, UV cured connector
V120-RGBW-TTC18	120V RGBW 18in flexible LED tape to tape, UV cured connector
V120-RGBW-TTC24	120V RGBW 24in flexible LED tape to tape, UV cured connector
V120-RGBW-PCHW8	120V RGBW Hardwire 8ft. flexible LED tape to controller connector, UV cured
V120-RGBW-CHL-ECC	Endcap covers for PCHW8 and endcap
V120-RGBW-CHL-ECCTT	Endcap covers for TTC series
V120-3M-VHB-15	3M VHB tape 1/2" x 15ft

Note: For layouts and configurations, visit www.gmlighting.net. Each run includes endcap and inline fuse.

RED – 625-630nm / 23lm, GREEN – 520-525nm / 38lm
 BLUE – 465-470nm / 9lm, WHITE 3000K – 41lm, COMBINED – 109lm

Your Space
Just Got Smarter



Model	Description
SHWC-V120-RGBW	Smart 2.4 WiFi Controller, RGBW 120V High Voltage, IP65, 4-Channel / 5-Wire, 3000K White
GM-WPSC-RGBW	RGBW wet location 5-wire splice connector (included with SHWC-V120-RGBW)

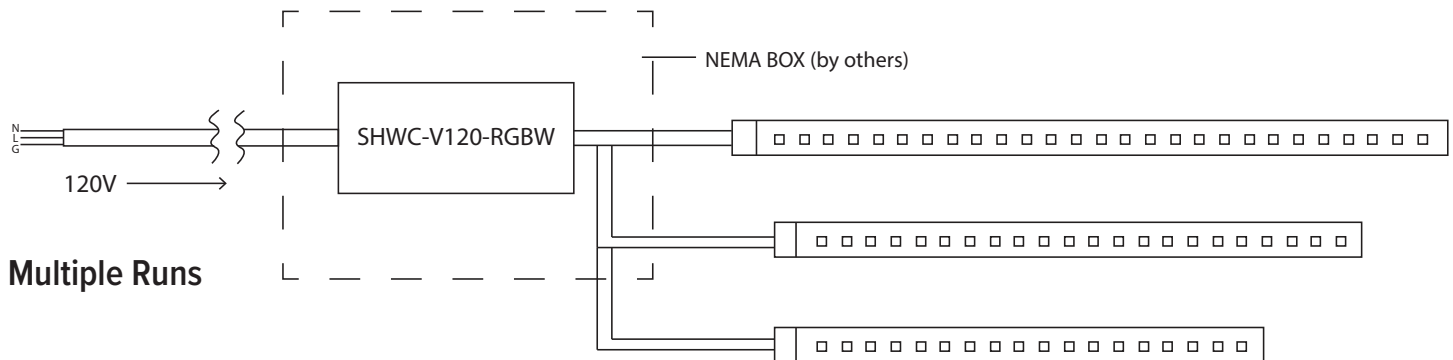
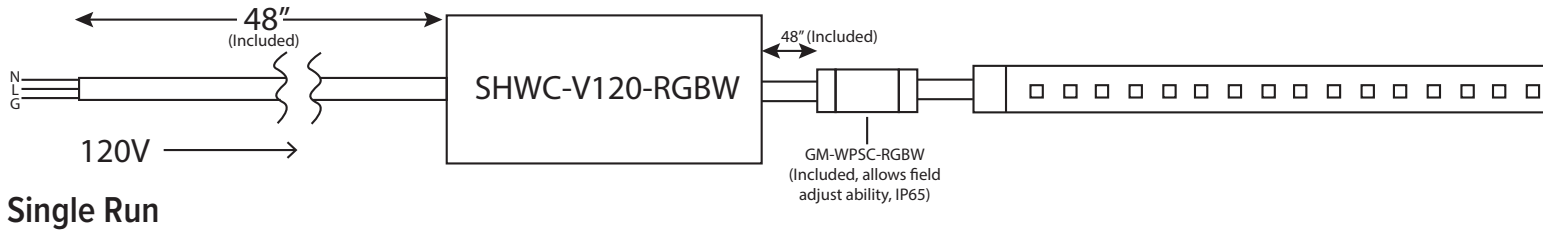
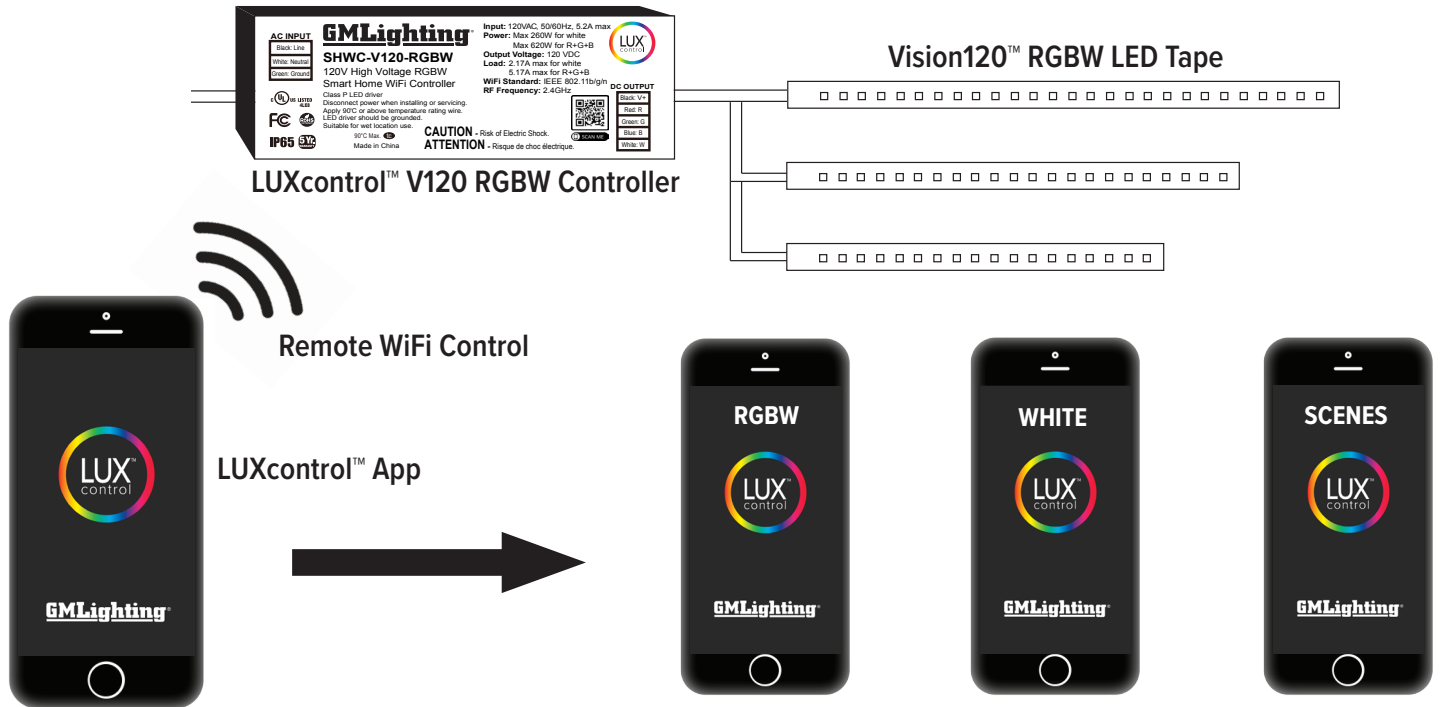
* Warranty does not cover wear and tear from outdoor extreme environments (finishes, plastic & lens degradation).

Vision120™ RGBW

3W Indoor and Outdoor Flexible LED Tape Specification Sheet



WIRING DIAGRAM

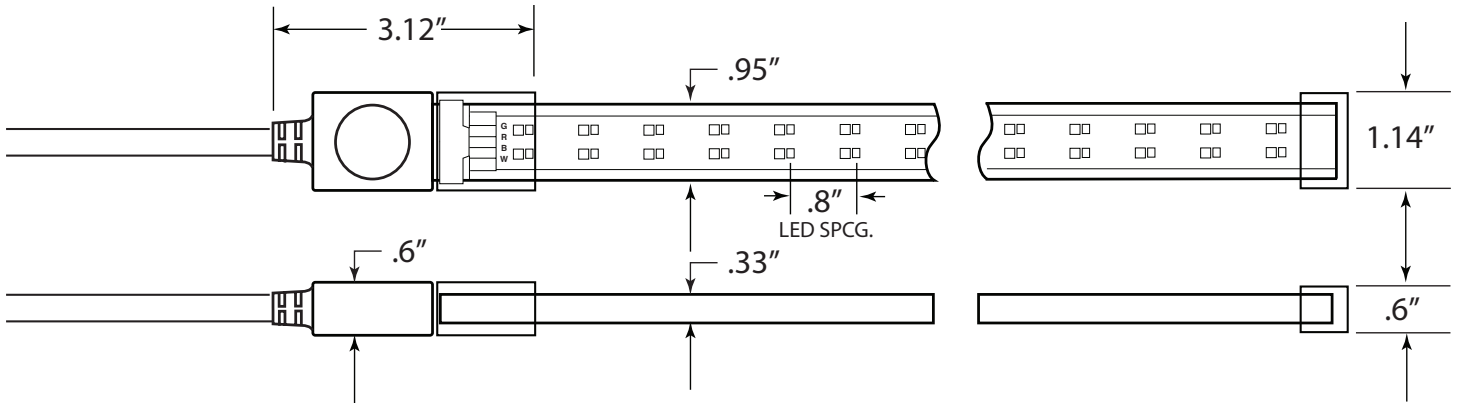


Vision120™ RGBW

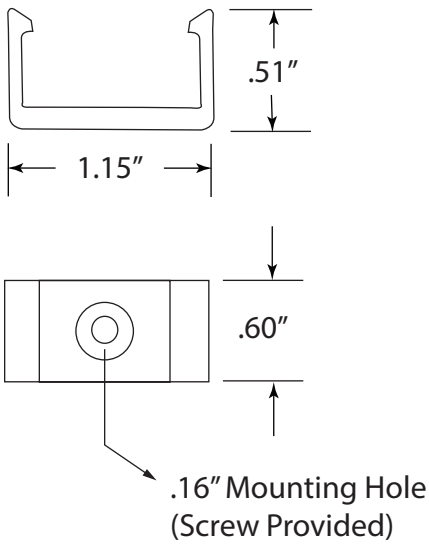
3W Indoor and Outdoor Flexible LED Tape Specification Sheet



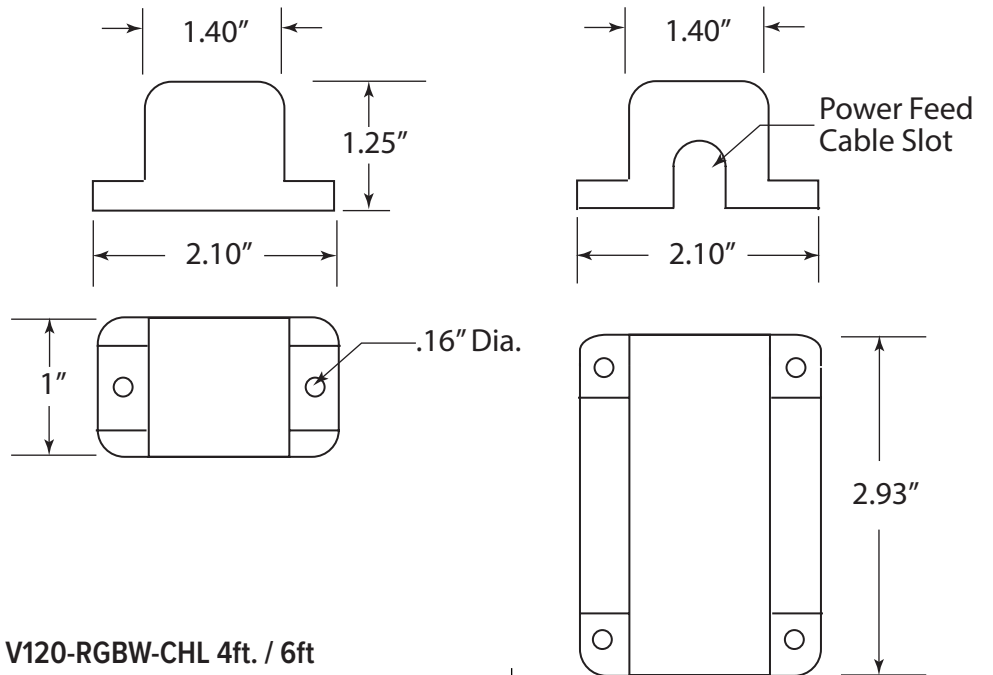
DIMENSIONS



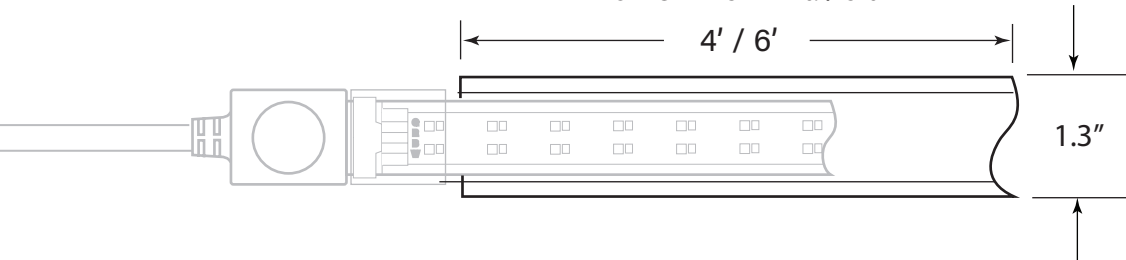
V120-RGBW-MC Mounting Clips



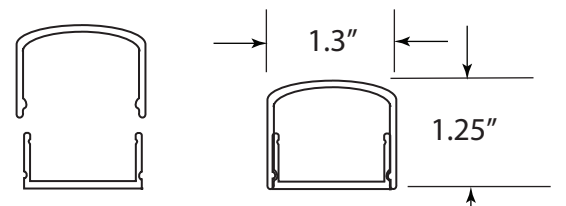
Channel Accessories



V120-RGBW-CHL 4ft. / 6ft



V120-RGBW-CHL-LENS 4ft. / 6ft.



Vision120™ RGBW

3W Indoor and Outdoor Flexible LED Tape Specification Sheet



DIMENSIONS

