

BEFORE YOU START:

- Please check local electrical codes before beginning
- Turn power off before installing
- Make sure to use properly rated wire

TOOLS NEEDED:

- Drill/Driver

PARTS INCLUDED:

- Channel
- Clips
- Lens
- End Caps*

WARNING!

FAMILIARIZE YOURSELF WITH INSTRUCTIONS BEFORE PROCEEDING. FOLLOW ALL LOCAL CODES. VERIFY THAT POWER IS OFF BEFORE PROCEEDING. MAKE SURE YOU USE PROPER RATED WIRE.

NOTE: WE RECOMMEND THAT YOU ENGAGE A QUALIFIED, LICENSED ELECTRICIAN. MODIFYING OR DISASSEMBLING BEYOND INSTRUCTIONS WILL VOID THE WARRANTY FOR THIS PRODUCT.

DO NOT EXCEED MAXIMUM RUN OF TAPE THAT YOU APPLY TO THIS MOUNTING CHANNEL. DO NOT INSTALL IN ENVIRONMENT THAT IS OUTSIDE THE LISTED AMBIENT TEMPERATURE FOR LED TAPE, AND IN AN AREA THAT IS NOT EASILY ACCESSED FOR SERVICE REQUIREMENTS.

Layout Mounting Channels

Consult chart at right for proper mil dimensions before cutting into surface. Layout your project allowing for tape connector and power supply placement. Make sure that leads or connector does not hamper placement of tape in channel.

Many connectors are designed to be used outside of smaller channel, consult channel spec pages for specific connector usage. See detail in **Fig. 4**.

Cut channel to desired length. For best and accurate results, cut lens while installed in channel to avoid lens damage **Fig. 1**. For surface mounting, clean surface and apply adhesive to channel, or screw channel clips down onto surface using supplied clips and screws. **Fig. 2**.

Lay-in LED tape, seating it into channel by exposing double-stick mounting tape that is affixed at back of LED tape. Press or burnish tape firmly, achieving a strong seal with mounting channel. **Fig. 3**.

Use End Caps*

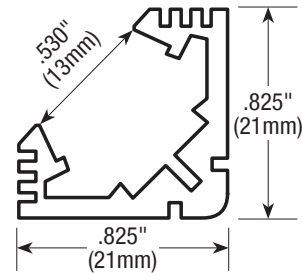
End caps are available for a finished look. **Fig. 5**.

NOTE: Wire up tape to power supply. Use only GM power supplies for 5 year warranty. Mount power supply close to LED tape application.

Connect Fixture Leads to 12V/24V Power Supply

Connect tape to power leads, or separate tape to power flexible connector.

Power up application and test that channels are firmly mounted to surface, or recessed channel. For voltage drop, consult GM Products Catalog or website at gmlighting.net.



LED-CHL-45 | 48" Length

FIG. 1

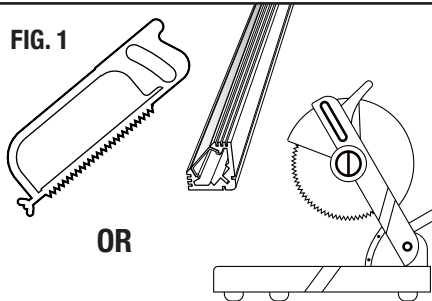


FIG. 2

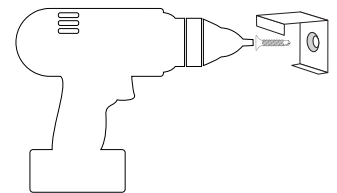


FIG. 3

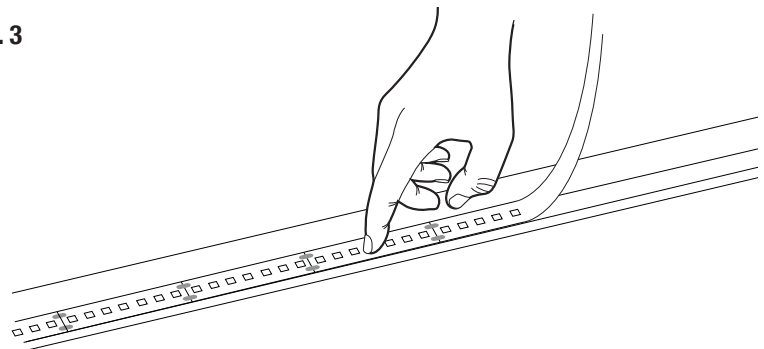
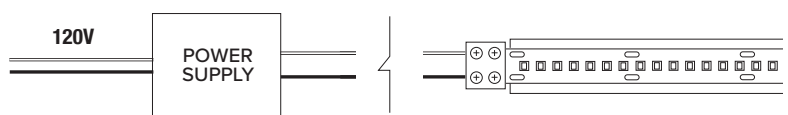


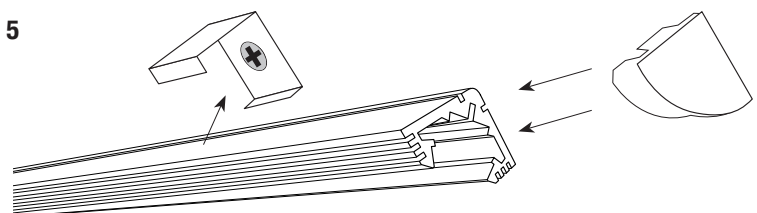
FIG. 4

Consult Power Supply instructions for Connection Procedure



See voltage drop chart in catalog or gmlighting.net

FIG. 5



TYPICAL MOUNTING OPTIONS

